




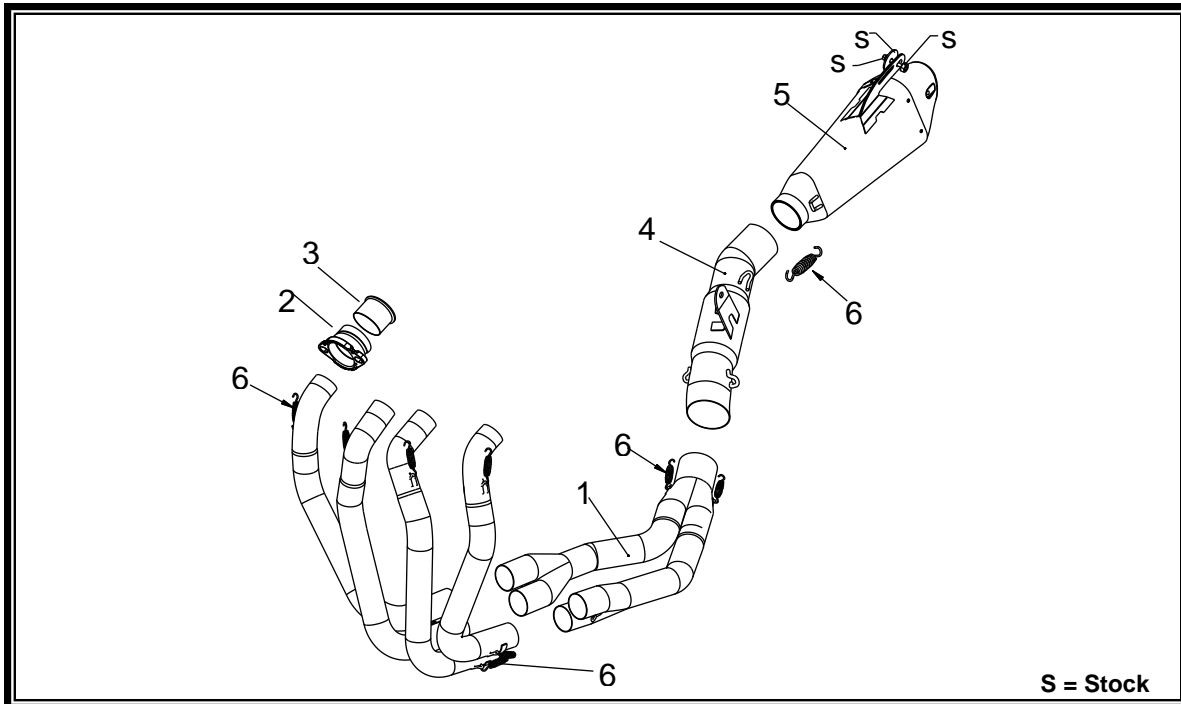


# PERFORMANCE EXHAUST SYSTEM

**APPLICATION**

MAKE	MODEL
Kawasaki	ZX-14R
PRODUCT	
1414008551	R55 SS Full-System Exhaust with Stainless Steel Sleeve: Stainless Steel Endcap

- 
 This product is designed for use in closed course racing and is not intended for highway use. In the state of California, it is illegal to modify the emission control system, which includes the fuel injection of any vehicle.
- 
 You must know how to remove and replace your stock exhaust in order to install this product otherwise have it installed by a professional mechanic. Keep all stock parts from your existing system as some components may be necessary to install your new Yoshimura exhaust depending on the application.
- 
 Read through all instructions before beginning installation. Exhaust system can be extremely hot. Let motorcycle cool down before beginning installation. Always wear hand and eye protection and take precautionary measures to avoid injury.



No.	Part #	Description	Qty
1	1426-404	Yoshimura Header	1
2	CB916SDR-01	Yoshimura Flange	4
3	R795SDM	Yoshimura Manifold	4
4	14140-419-1	Yoshimura Tailpipe	1
5	1414008551-RMA	Yoshimura Muffler Assembly	1
6	RACE-SPS-1	Medium Spring	11
**	ST-200	Spring Puller Tool	1
**	17029	Yoshimura Sticker Sheet	1

**-TOOLS REQUIRED-**

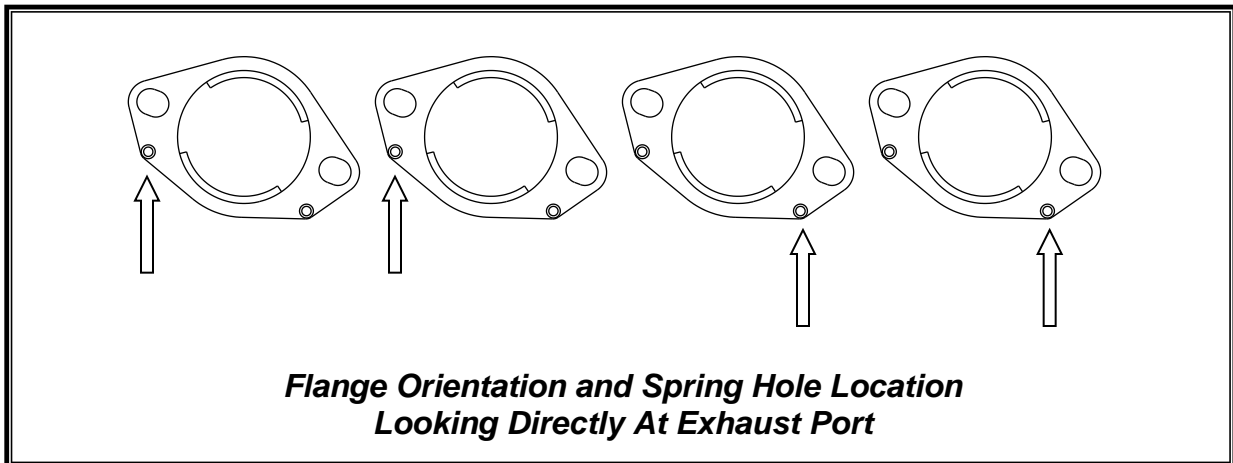
*Metric Socket Set • Combination Wrench Set • Torque Wrench  
Metric Allen Wrench Set • Screwdriver*

**-REMOVAL-**

1. **Remove lower rear cowling to ease removal of stock tailpipes.**
2. **Remove the (2) bolts securing small heatshield to passenger footpeg. The stock passenger peg heatshield will not be used with the Yoshimura Full System.**
3. **Loosen exhaust clamps and while securely supporting the stock muffler, remove the muffler mount bolt to remove stock muffler assembly.**  
**Note: Stock exhaust gaskets will not be used with the Yoshimura Full-System Exhaust.**
4. **Remove left and right fairings.**
5. **Remove the lower radiator support bracket and swing radiator forward to ease removal of the stock header.**
6. **Remove the stock header and exhaust port gaskets.**  
**Note: The exhaust port gaskets will not be used with the Yoshimura Full-System Exhaust.**

**-INSTALLATION-**

1. **Install Yoshimura manifolds and flanges into exhaust ports using the stock header nuts. See flange orientation below.**



2. **Torque stock header nuts to 11Nm. (1.1kg-m, 8lb-ft)**
3. **Install Yoshimura header by connecting one header leg at a time from one side of the engine to the other.**
4. **Connect header to flanges using the supplied medium exhaust springs. Hook one end of the spring into the hole in the flange and pull the other end of the spring over the header's spring hook using the supplied spring puller tool.**
5. **Using a soft face mallet, gently tap header to fully seat each header leg onto the manifold.**

**6. Install Yoshimura muffler and tailpipe using stock hardware.**

**Note: Yoshimura muffler mounts on the inside of the muffler bracket. Yoshimura tailpipe bracket mounts on the inside of the stock tailpipe mount location.**



**7. Connect Yoshimura tailpipe to Yoshimura header using the supplied medium exhaust springs.**

**8. Fitment check and Notes.**

- a. **Before starting motorcycle, check for proper clearance between new exhaust system and rear suspension (i.e. tire, swing-arm, brake, rear shock, engine, and etc.) If any problem is found, please carefully follow through the installation steps again. If problem still persists, please call Yoshimura Tech Department at (800) 634-9166 / in CA (909) 628-4722.**
- b. **It is recommended that the muffler and tailpipe be wiped down with rubbing alcohol to remove oil and fingerprints. This will help prevent tarnishing of the finish after the exhaust is heated up.**
- c. **Note: After starting motorcycle, it is normal for new exhaust system and muffler to emit smoke until oil residue burns off.**