



# YOSHIMURA

RESEARCH&DEVELOPMENT OF AMERICA, INC.

5420 DANIELS STREET STE A, CHINO CA., 91786 · (800)634-9166 · (909)628-4722 · FACSIMILE (909)591-2198

[www.yoshimura-rd.com](http://www.yoshimura-rd.com)

## **RS-3 OVAL PERFORMANCE EXHAUST SYSTEM**

**KAWASAKI  
2004-2005  
ZX-10R**

**141545 (2,5,7)**

STAINLESS STEEL RACE BOLT-ON SYSTEM

**141555 (2,5,7)**

STAINLESS STEEL ZYCLONE BOLT-ON SYSTEM



**THIS PRODUCT IS DESIGNED FOR USE IN CLOSED COURSE RACING AND IS NOT INTENDED FOR HIGHWAY USE.**



NOTE: IN THE STATE OF CALIFORNIA, IT IS ILLEGAL TO MODIFY THE EMISSION CONTROL SYSTEM. WHICH INCLUDES THE CARBURETORS OF ANY VEHICLE.

**Caution:** Exhaust system can be extremely hot. Let motorcycle cool down before beginning installation.

**Note:** Read through all instructions before beginning installation.

## Tools Needed:

- 12mm and 14mm sockets
- 14mm wrench
- 3/8" ratchet and extension
- Torque wrench

## Installation Steps:

- 1 Remove stock rear turn signals, muffler, and muffler gasket (see Fig. 1 for muffler mounting bolt locations).

**NOTE:** This exhaust system was designed for closed course racing and is not intended for highway use. This system was designed for use without the rear turn signals. If rear turn signals are not removed, they will melt from the heat of the exhaust gases exiting the muffler.

- 2 Install new muffler gasket. (Not supplied)
- 3 Apply heat insulator to inside of muffler clamp, slide clamp onto muffler and onto tail pipe. (Note direction of clamp in Fig. 2)
- 4 Install Yoshimura muffler using supplied bolts.. Torque bolts to 2.5 kg-m (18 lb-ft).
- 5 Mount clamp to stock muffler bracket using stock bolt, washer and nut. (See Fig. 2) Torque bolt to 2.5 kg-m (18 lb-ft).
- 6 It is recommended that the entire exhaust system be wiped down with rubbing alcohol to remove oil and fingerprints. This will help prevent tarnishing of the finish after the exhaust is heated up.
- 7 Before starting motorcycle, check for proper clearance between new exhaust system and motorcycle. (i.e. swing-arm, fairings etc.) If any problem is found, please carefully follow through the installation steps again. If problem still persists, please call Yoshimura technical department at (800) 634-9166/ in CA (909) 628-4722.

**NOTE:** After starting motorcycle, it is normal for new exhaust system to smoke until oil residue burns off.



Fig. 1

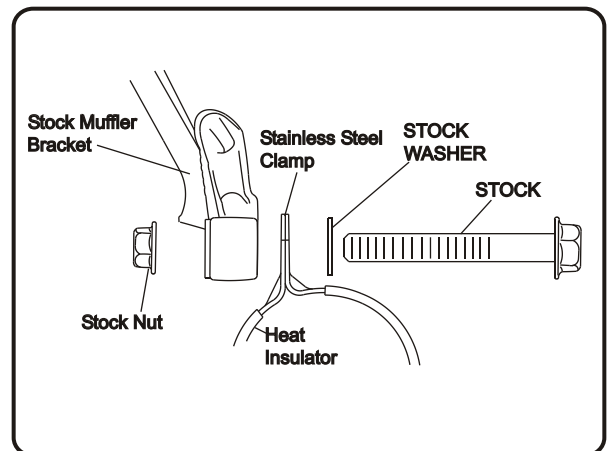
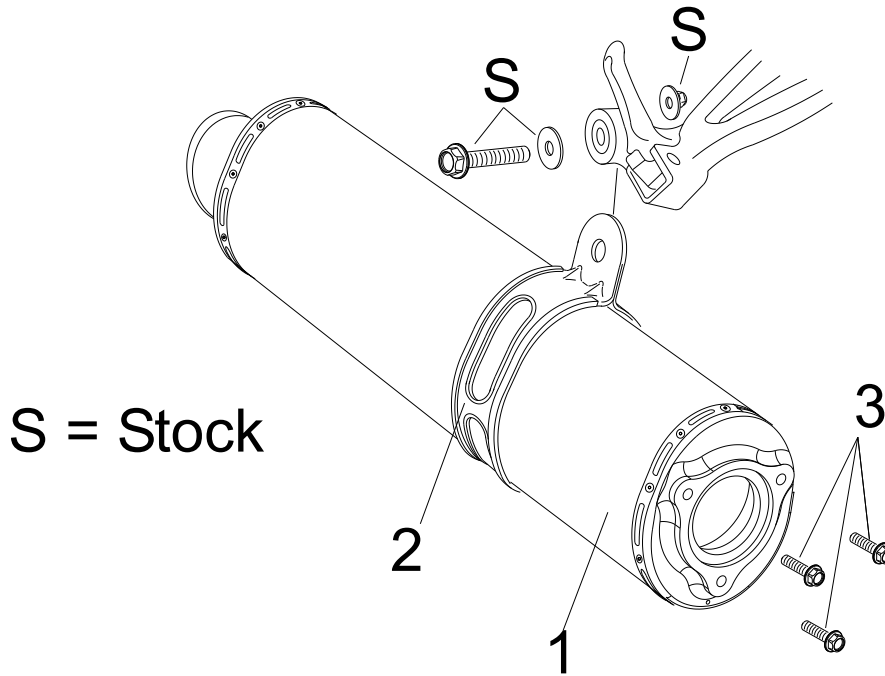


Fig. 2

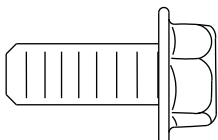
**#141545(2,5,7)/141555(2,5,7)**



Parts Diagram

NO.	DESCRIPTION	QTY	PART #
1	RS-3 Oval Muffler Assembly	1	**
2	Stainless Steel Oval Muffler Clamp Stainless Steel or Titanium Sleeve uses Carbon Fiber Sleeve uses	1	COS450S8ALX COS450S8AL
3	8mm x 20mm Flange Hex Bolt	3	M8X20H
**	Muffler Clamp Heat Insulator	1	HT SHLDTRS
**	Yoshimura Vinyl Sticker	2	17028

**Nuts and Bolts Guide (Actual Size):**



8mm x 20mm  
Flange Hex Bolt