



# YOSHIMURA

RESEARCH&DEVELOPMENT OF AMERICA, INC.

5420 DANIELS STREET STE A, CHINO CA., 91710 · (800)634-9166 · (909)628-4722 · FACSIMILE (909)591-2198

[www.yoshimura-rd.com](http://www.yoshimura-rd.com)

## YOSHIMURA PERFORMANCE EXHAUST SYSTEM

**KAWASAKI**  
**2008-2009**  
**ZX-10R**

**1417265**

TRS SLIP-ON SYSTEM WITH STAINLESS STEEL SLEEVE



ACTUAL PRODUCT MAY VARY FROM IMAGES.



**THIS PRODUCT IS DESIGNED FOR USE IN CLOSED COURSE RACING AND IS NOT INTENDED FOR HIGHWAY USE.**



NOTE: IN THE STATE OF CALIFORNIA, IT IS ILLEGAL TO MODIFY THE EMISSION CONTROL SYSTEM, WHICH INCLUDES THE FUEL INJECTION SYSTEM.

**Caution:** *Exhaust system can be extremely hot. Let motorcycle cool down before beginning installation.*

**Note:** *Read through all instructions before beginning installation.*

## Tools Needed:

Metric Socket Set  
3/8" Ratchet and Extension  
Metric Combination Wrench Set  
Metric Allen Wrench Set  
Torque Wrench

## Installation Steps:

1 Remove the exhaust valve cable cover (see Fig. 1 for bolt locations).

2 Completely remove the exhaust valve cables from the motorcycle (see the service manual for detailed instructions on exhaust valve cable removal).

**NOTE:** Do not unplug the electronic servo motor that controls the exhaust valve cables. Unplugging the servo motor may cause the motorcycle to run in a power restricted safe mode.

3 Loosen the stock exhaust clamp and remove the muffler mount bolt. Remove the stock muffler (see Fig. 2 for bolt locations).

4 Remove the stock collector clamp from the stock underbelly muffler outlet. Do not remove the stock gasket from the stock underbelly muffler. Stock gaskets will be used between the stock underbelly muffler and the Yoshimura tailpipe.

5 Remove the bolt from the stock collector clamp.

6 Install the Yoshimura spring hook tab onto the stock collector clamp (see Fig. 3).

7 Slide the stock collector clamp back onto the stock underbelly muffler outlet.

**NOTE:** The stock collector clamp has a slot in it. This slot goes over a tab on the stock underbelly muffler outlet.



Fig. 1



Fig. 2



Fig. 3

- 8 *Install the rubber heat insulator onto the inside of the muffler clamp and slide the muffler clamp onto the muffler.*
- 9 *Slide the Yoshimura muffler and tailpipe into the stock underbelly muffler outlet.*
- 10 *Mount the Yoshimura slip-on system to the outside of the stock passenger footrest using the stock hardware (see Fig. 4).*
- 11 *Torque the muffler mounting bolt to 2.5 kgf-m (18 lb-ft).*
- 12 *Torque the stock exhaust clamp to 1.25 kgf-m (9.0 lb-ft).*
- 13 *Install exhaust spring between the Yoshimura tailpipe and the Yoshimura spring hook tab (see Fig. 5).*
- 14 *It is recommended that the entire exhaust system be wiped down with rubbing alcohol to remove oil and fingerprints. This will help prevent tarnishing of the finish after the exhaust is heated up.*
- 15 *Before starting motorcycle, check for proper clearance between new exhaust system and motorcycle (i.e. swing-arm, fairings etc.). If any problem is found, please carefully follow through the installation steps again. If problem still persists, please call Yoshimura technical department at (800) 634-9166/ in CA (909) 628-4722.*

**Note:** After starting the motorcycle, it is normal for the new exhaust system to emit smoke until the oil residue burns off.

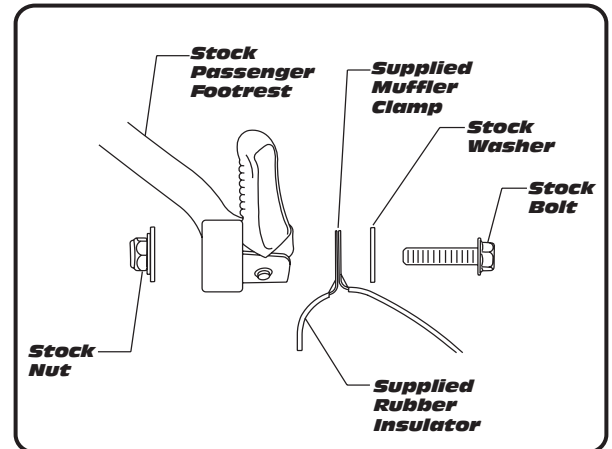


Fig. 4

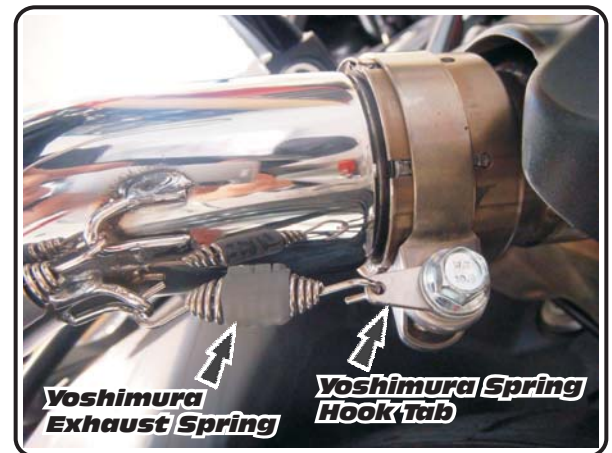
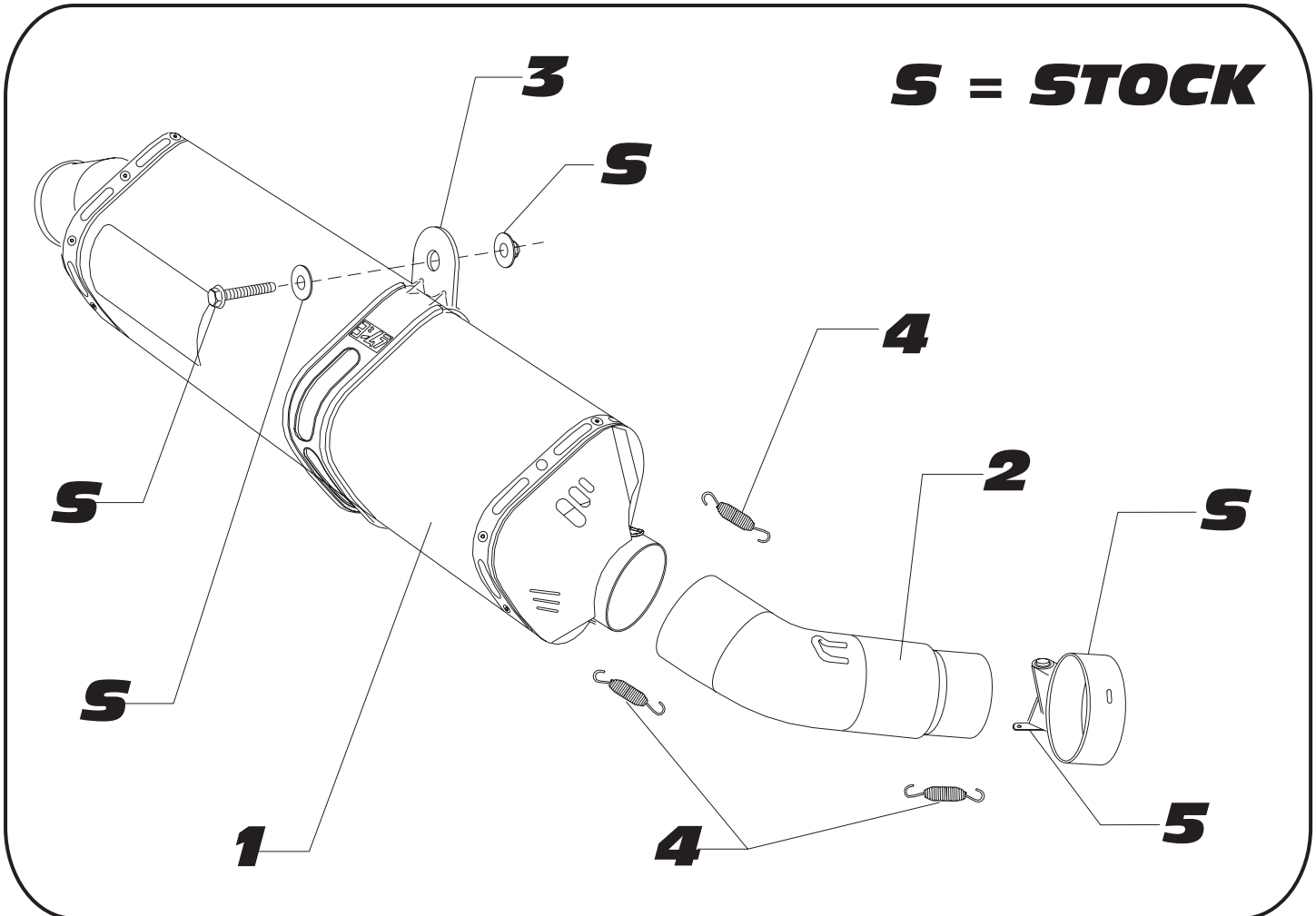


Fig. 5

**#1417265**



Parts Diagram

<b>NO.</b>	<b>DESCRIPTION</b>	<b>QTY</b>	<b>PART #</b>
1	Yoshimura TRS Race Muffler Assembly with Stainless Steel Sleeve	1	SRTSR146W
2	Yoshimura Slip-On Tailpipe	1	1417-435
3	Stainless Steel Muffler Clamp Stainless Steel Sleeve uses	1	CTS816X
4	Small Exhaust Springs	3	RACE-SPX-1
5	Spring Hook Tab	1	1411-SH
**	Muffler Clamp Heat Insulator	1	HT SHLDTRS
**	Yoshimura Spring Puller Tool	1	ST-200
**	Yoshimura Vinyl Sticker	1	17029
**	TRS Low Volume Insert	1	TRS-INS-BK