



PERFORMANCE EXHAUST SYSTEM

EPA NOISE COMPLIANT

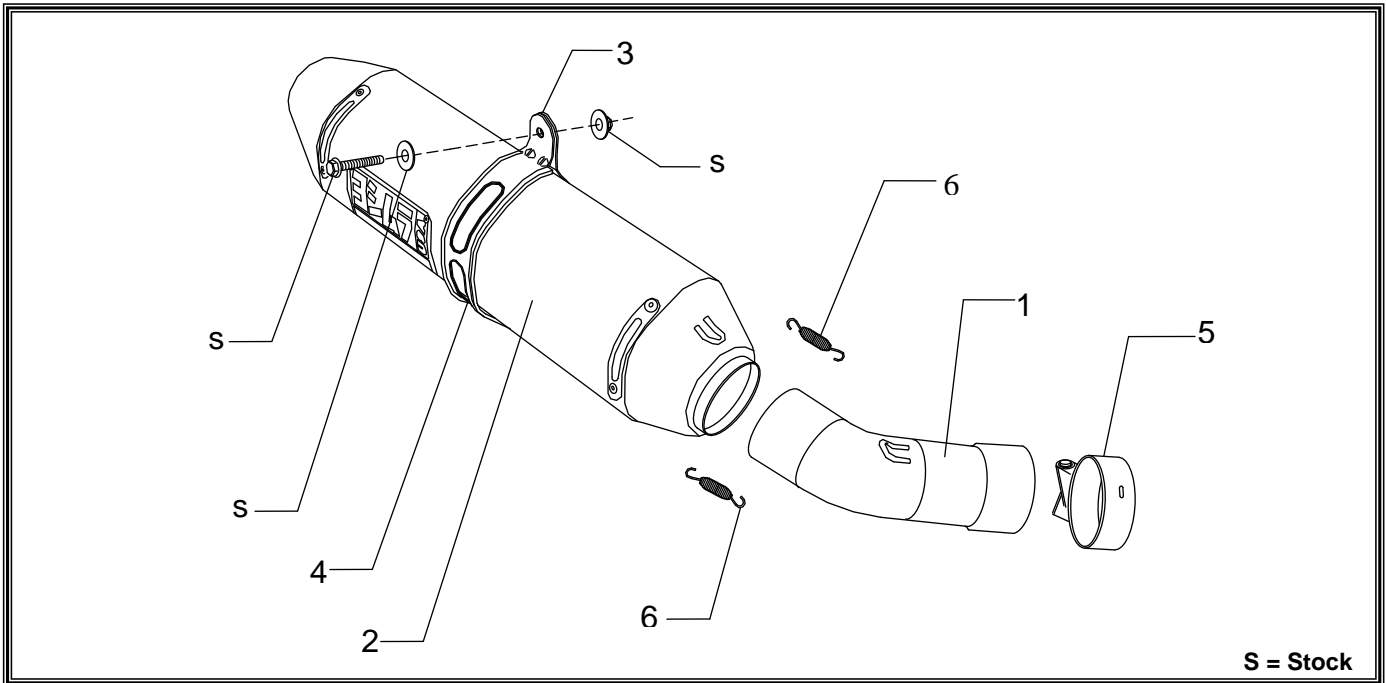
APPLICATION

YEAR	MODEL
2011	Kawasaki ZX10R

PRODUCT

14180E0220	R77 Stainless Steel Slip-On Exhaust System with Carbon Fiber Sleeve; Carbon Fiber Endcap
14180E0520	R77 Stainless Steel Slip-On Exhaust System with Stainless Steel Sleeve; Carbon Fiber Endcap
14180E0550	R77 Stainless Steel Slip-On Exhaust System with Stainless Steel Sleeve; Stainless Steel Endcap
14180E0720	R77 Stainless Steel Slip-On Exhaust System with Titanium Sleeve; Carbon Fiber Endcap

- This product is 50-state legal and complies with Federal and State regulations. Any attempts to modify this product will render it non-compliant with Federal law and void warranty. If modified, the vehicle can no longer be used on public roads and can only be used for off-highway closed course competition. In the state of California, it is illegal to modify the emission control system, which includes the fuel injection system of any vehicle.
- You must know how to remove and replace your stock exhaust in order to install this product otherwise have it installed by a professional mechanic. Keep all stock parts from your existing system as some components may be necessary to install your new Yoshimura exhaust depending on the application.
- Read through all instructions before beginning installation. Exhaust system can be extremely hot. Let motorcycle cool down before beginning installation. Always wear hand and eye protection and take precautionary measures to avoid injury.



No.	Part #	Description	Qty
1	14180-435	Yoshimura Tailpipe	1
2	N/A	Yoshimura Muffler	1
3	1121-MPCL 1121-MPCLX HT SHLDR77	Muffler Clamp CF Sleeve Clamp SS/Ti Sleeve Clamp	1
4	HT SHLDR77	Muffler Clamp Heat Shield	1
5	20067	Exhaust Clamp	1
6	RACE-SPS-1	Med Spring w/ Insulator 2.3"	2
**	17029	Yoshimura Sticker Sheet	1
**	ST-200	Spring Puller Tool	1

-TOOLS REQUIRED-

Metric Socket Set • Combination Wrench Set • Torque Wrench • Metric Allen Wrench Set

-REMOVAL-

1. *Removing the stock muffler assembly.*
 - a) **Remove stock heat shield by removing the (3) screws.**
 - b) **Loosen muffler clamp.**
 - c) **While securely holding the muffler, remove the muffler mount bolt and carefully remove stock muffler and muffler clamp.**
 - d) **Inspect exhaust gasket ring and replace if necessary. (P/N: 11061-0447)**

-INSTALLATION-

1. *Small parts installation.*
 - a) **Install rubber heat shield on muffler clamp. (Note: Some trimming of the rubber heat shield may be necessary.)**
 - b) **Install muffler clamp over Yoshimura muffler.**
2. *Installing the Yoshimura Slip-On System.*
 - a) **Install Yoshimura exhaust clamp on Yoshimura tailpipe.**
 - b) **Insert stock exhaust gasket ring into Yoshimura tailpipe.**
 - c) **Install Yoshimura tailpipe over stock midpipe.**
 - d) **Using the stock muffler mount bolt, secure the muffler clamp to stock muffler mount location. Do not torque at this time.**
 - e) **Tighten and torque exhaust clamp to 10 lb-ft. (13 Nm)**
 - f) **Torque muffler mount bolt to 10 lb-ft. (13 Nm)**
3. *Fitment check and Notes.*
 - a) **Before starting motorcycle, check for proper clearance between new exhaust system and rear suspension (i.e. tire, swing-arm, brake, rear shock, engine, and etc.) If any problem is found, please carefully follow through the installation steps again. If problem still persists, please call Yoshimura Tech Department at (800) 634-9166 / in CA (909) 628-4722.**
 - b) **It is recommended that the muffler and tailpipe be wiped down with rubbing alcohol to remove oil and fingerprints. This will help prevent tarnishing of the finish after the exhaust is heated up.**
 - c) **NOTE: After starting motorcycle, it is normal for new exhaust system and muffler to emit smoke until oil residue burns off.**

NOISE EMISSION WARRANTY

Yoshimura warrants that this exhaust system, at time of sale, meets all applicable U.S. E.P.A. Federal noise standards. This warranty extends to the first person who buys this exhaust system for purposes other than resale, and to all subsequent buyers. Warranty claims should be directed to Yoshimura R&D of America, Inc.
5420 Daniels St. Chino, CA 91710 | Tel (800) 634-9166

TAMPERING PROHIBITION

Federal law prohibits any modification to this exhaust system which causes the motorcycle to exceed the Federal noise standard. Use of the motorcycle with such a modified exhaust system is also prohibited.

Acts likely to constitute tampering include removal or puncturing the muffler, baffles, header pipes, or any other component which conducts exhaust gases.

WARNING: This product should be checked for repair or replacement if the motorcycle noise has increased significantly through use. Otherwise, the owner may become subject to penalties under state and local ordinances.