



# YOSHIMURA

RESEARCH&DEVELOPMENT OF AMERICA, INC.

5420 DANIELS STREET STE A, CHINO CA 91710 · (800) 634-9166 · (909) 628-4722 · FAX (909) 591-2198

[www.yoshimura-rd.com](http://www.yoshimura-rd.com)

## RACE SERIES

Qualified Manufacturer Declared "Modified Part"

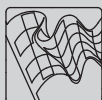
2009~2020

**Kawasaki KLX250**

**14301BC350 (SS/AL)**

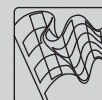
**RS-2 Stainless Steel Slip-On**

**FOR CLOSED COURSE COMPETITION ONLY; NOT INTENDED FOR STREET USE**



Race Series systems are:

- NOT CARB/EPA tail-pipe emissions compliant.
- NOT street legal.
- For "Closed Course Competition" use only.



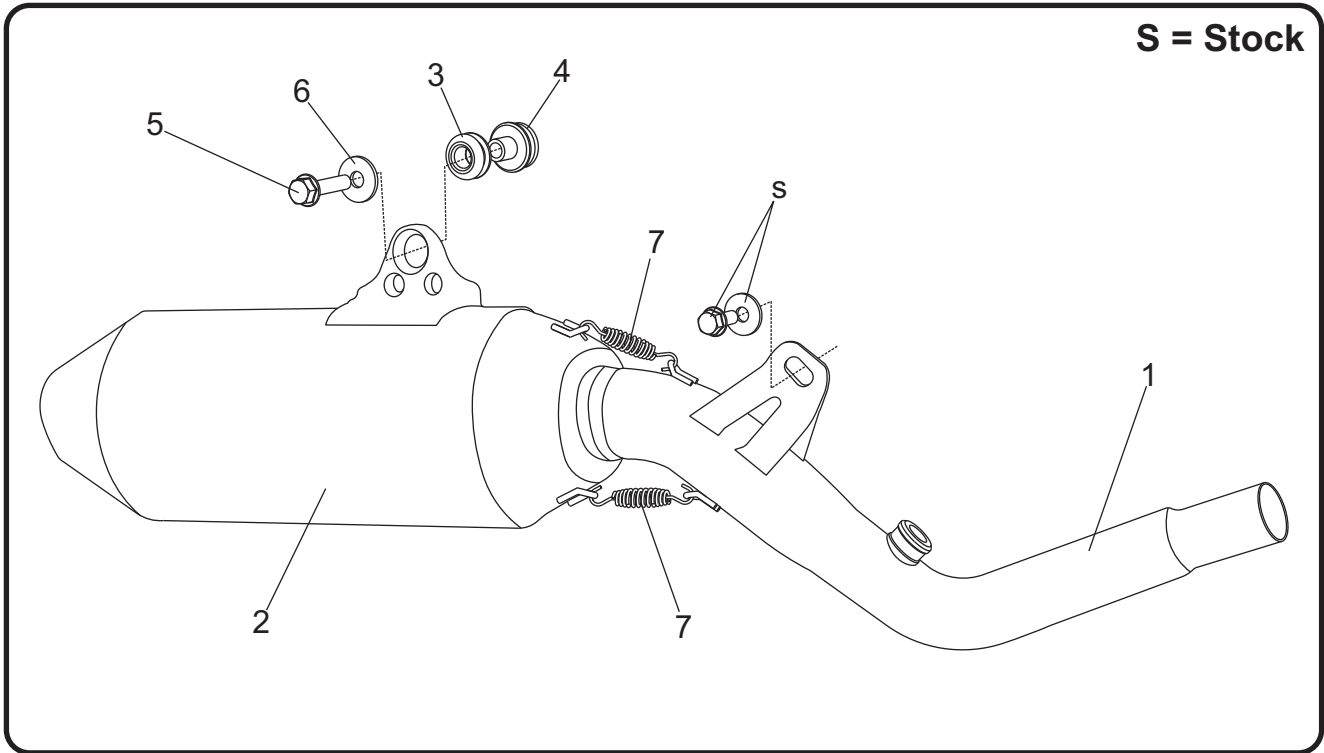
*You must know how to remove and replace your stock exhaust in order to install this product otherwise have it installed by a professional mechanic. Keep all stock parts from your existing system as some components may be necessary to install your new Yoshimura exhaust depending on the application. Read through all instructions before beginning installation. Exhaust system can be extremely hot. Let motorcycle cool down before beginning installation. Always wear hand and eye protection and take precautionary measures to avoid injury.*



NOTE: IN THE STATE OF CALIFORNIA, IT IS ILLEGAL TO MODIFY THE EMISSION CONTROL SYSTEM, WHICH INCLUDES THE CARBURETORS OF ANY VEHICLE.

## Assembly Diagram

S = Stock



No.	Item	Description	Qty.
1	14301-435	Yoshimura Tailpipe	1
2	143002C350-RMA	Yoshimura Muffler Assembly	1
3	Z1022	Muffler Grommet	1
4	ALS-029	Aluminum Spacer	1
5	M8X35H	8mm x 35mm Flanged Hex Head Bolt	1
6	8MMWASHERL	8mm Large Washer	1
7	RACE-SPX-2	Small Exhaust Spring	2
**	11061-1055	Exhaust Gasket	1
**	M12X8H	O2 Sensor Plug	1
**	347PLUG	Muffler Wash Plug	1
**	ST-200	Spring Puller Tool	1
**	17029	Sticker Kit Sheet	1

\*\* Not shown in diagram.

**CAUTION:** Exhaust system can be extremely hot. Let motorcycle cool down before beginning installation. Always wear hand and eye protection and take precautionary measures to avoid injury.

**WARNING:** Always properly support vehicle with a stand and/or lift when servicing or performing any work. Unstable vehicles may present dangerous conditions and may cause property damage and/or personal injury.

**NOTE:** Read through all instructions before beginning installation.

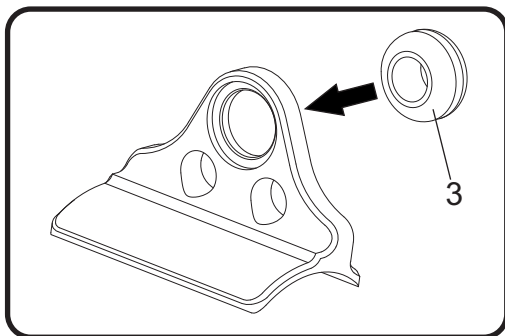
## Removal

1. Remove the three right side panel bolts and carefully remove right side panel.
2. Loosen the exhaust clamp between header and muffler tailpipe connection.
3. Remove O2 sensor from the stock muffler for 2018 model.
3. While securely supporting the stock muffler assembly, remove the three bolts securing muffler assembly to the frame and carefully remove the stock muffler assembly.

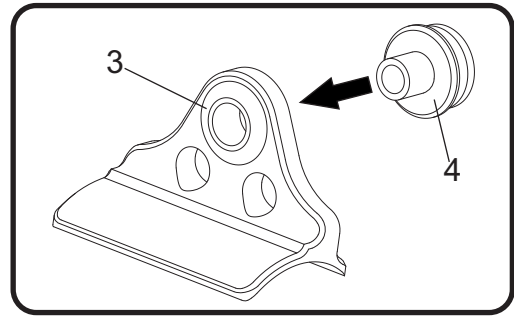
Note: The stock exhaust gasket will be replaced with one supplied in the kit. Remove gasket from header.

## Installation

1. Install (No. 3) Z1022, muffler grommet into muffler bracket.



2. Install (No. 4) ALS-029, aluminum spacer into (No. 3) Z1022, muffler grommet.



3. Install 11061-1055, exhaust gasket over (No. 1) 14301-435, tailpipe inlet.
4. Install (No. 1) 14301-435, tailpipe into the stock header outlet. Align tailpipe chassis mount bracket to chassis mount and secure using the stock bolt and washer. Do not torque at this time.

Note: For 2018 model, re-install stock O2 sensor into tailpipe and torque to factory specification. For 2009~2014 models, install supplied M12X8, O2 sensor plug into O2 sensor bung on tailpipe.

5. Install (No. 2) 143002C350-RMA, muffler assembly onto (No. 1) 14301-435, tailpipe outlet and align muffler bracket to muffler mount. Secure muffler using (No. 5) M8X35H, flange bolt and (No. 6) 8MMWASHERL, large washer. Torque muffler mount bolt to 32 Nm (3.2 kg-m, 24 ft-lb).
6. Torque tailpipe chassis mount bolt to factory specification.
7. Torque stock exhaust clamp between header and tailpipe to factory specification.
8. Install (No. 7) RACE-SPX-2, small exhaust springs between muffler and tailpipe connection using ST-200, spring puller tool supplied in the kit.
9. Before starting vehicle, check for proper clearance between new exhaust system and rear suspension (i.e. tire, swingarm, brakes, rear shock, and etc.) If any problem is found, please carefully follow through the installation steps again. If problem still persists, please call Yoshimura Tech Department at (800) 634-9166 / in CA (909) 628-4722.

10. It is recommended that the muffler and tailpipe be wiped down with rubbing alcohol to remove oil and fingerprints. This will help prevent tarnishing of the finish after the exhaust is heated up.

**Note:** After starting vehicle, it is normal for new exhaust system and muffler to emit smoke until oil residue burns off.

## **Works Finish Care & Maintenance**

---

Before starting vehicle, clean pipe thoroughly using a soft cloth and rubbing alcohol to remove any oil and finger prints.

The color of the exhaust will change once the system has gone through a heat cycle of 15 minutes or more. Color will vary depending on lean/rich conditions.

Clean using a soft cloth and soap. Do not use abrasive materials as it will scratch the surface.

Surface reconditioning services are available to remove scratches and undesirable discoloration due to extreme heat. Contact Yoshimura Tech Department at (800) 634-9166 / in CA (909) 628-4722 for more information.