



# YOSHIMURA

RESEARCH & DEVELOPMENT OF AMERICA, INC.

5420 DANIELS STREET STE A, CHINO CA., 91786 · (800)634-9166 · (909)628-4722 · FACSIMILE (909)591-2198

[www.yoshimura-rd.com](http://www.yoshimura-rd.com)

## RS-3C OVAL PERFORMANCE EXHAUST SYSTEM

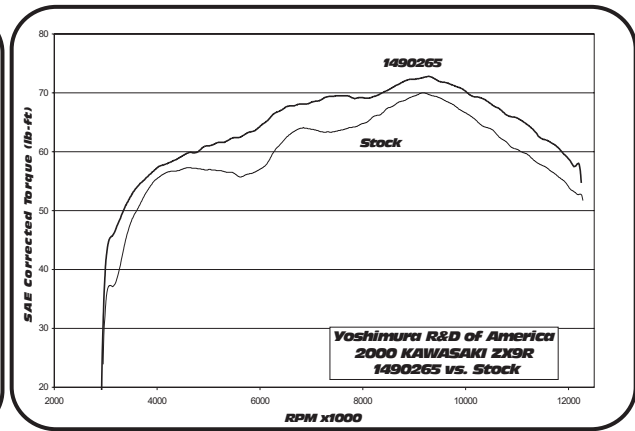
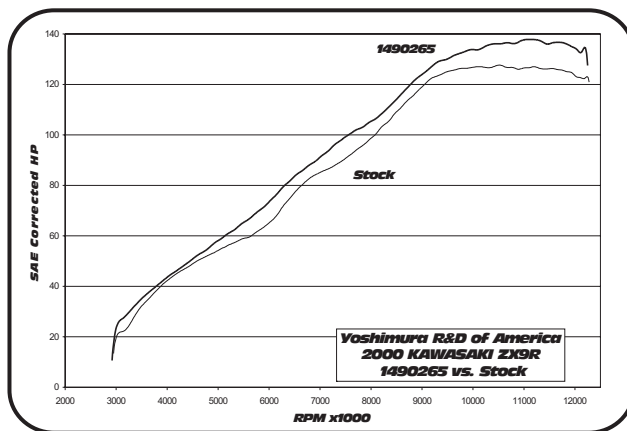
### KAWASAKI

### 2000-01

### ZX-9R

**14902552**

STAINLESS STEEL RACE ONLY SLIP-ON



Note: Dyno graphs are for comparison use only. Actual results may vary depending on operating and motorcycle condition.



ACTUAL PRODUCT MAY VARY FROM IMAGES.



**THIS PRODUCT IS DESIGNED FOR USE IN CLOSED COURSE RACING AND IS NOT INTENDED FOR HIGHWAY USE.**



NOTE: IN THE STATE OF CALIFORNIA, IT IS ILLEGAL TO MODIFY THE EMISSION CONTROL SYSTEM, WHICH INCLUDES THE CARBURETORS OF ANY VEHICLE.

**Caution:** Exhaust system can be extremely hot. Let motorcycle cool down before beginning installation.

**Note:** Read through all instructions before beginning installation.

## Tools Needed:

12mm and 14mm sockets  
14mm wrench  
3/8" ratchet and extension  
4mm allen wrench  
Philip screwdriver  
Torque wrench

## Installation Steps:

- 1 Remove lower cowling. (See Fig.1 for fastener locations)
- 2 Remove stock slip-on muffler assembly. (see Fig. 2)
- 3 Remove the steel insert from grommet from the hanger bracket and replace with supplied aluminum spacer. (See Fig. 3)
- 4 Install Yoshimura slip-on muffler assembly onto stock header.
- 5 Mount tail-pipe to chassis mount using stock bolt, washer and nut. (loosely)
- 6 Heat insulator to the inside of muffler clamp and slide clamp onto muffler.
- 7 Mount clamp to stock muffler bracket using supplied bolt with stock washer and nut. (See Fig. 4) Torque bolt to 2.5 kg-m (18 lb-ft).
- 8 Tighten collector clamp and chassis mount bolt and re-install lower cowl. Torque chassis bolt to 2.5 kg-m (18 lb-ft).
- 9 It is recommended that the entire exhaust system be wiped down with rubbing alcohol to remove oil and fingerprints. This will help prevent tarnishing of the finish after the exhaust is heated up.

- 10 Before starting motorcycle, check for proper clearance between new exhaust system and motorcycle. (i.e. swing-arm, fairings etc.)

If any problem is found, please carefully follow through the installation steps again. If problem still persists, please call Yoshimura tech. dept. at (800)634-9166 / in CA (909)628-4722.

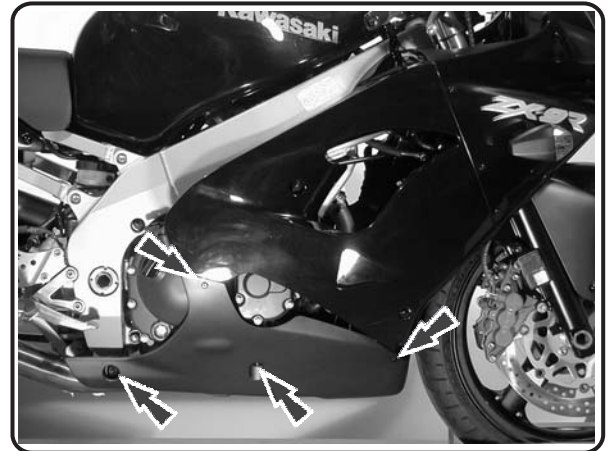


Fig. 1



Fig. 2

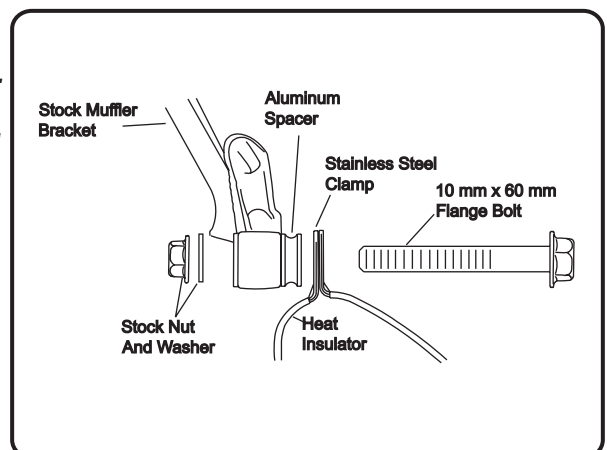
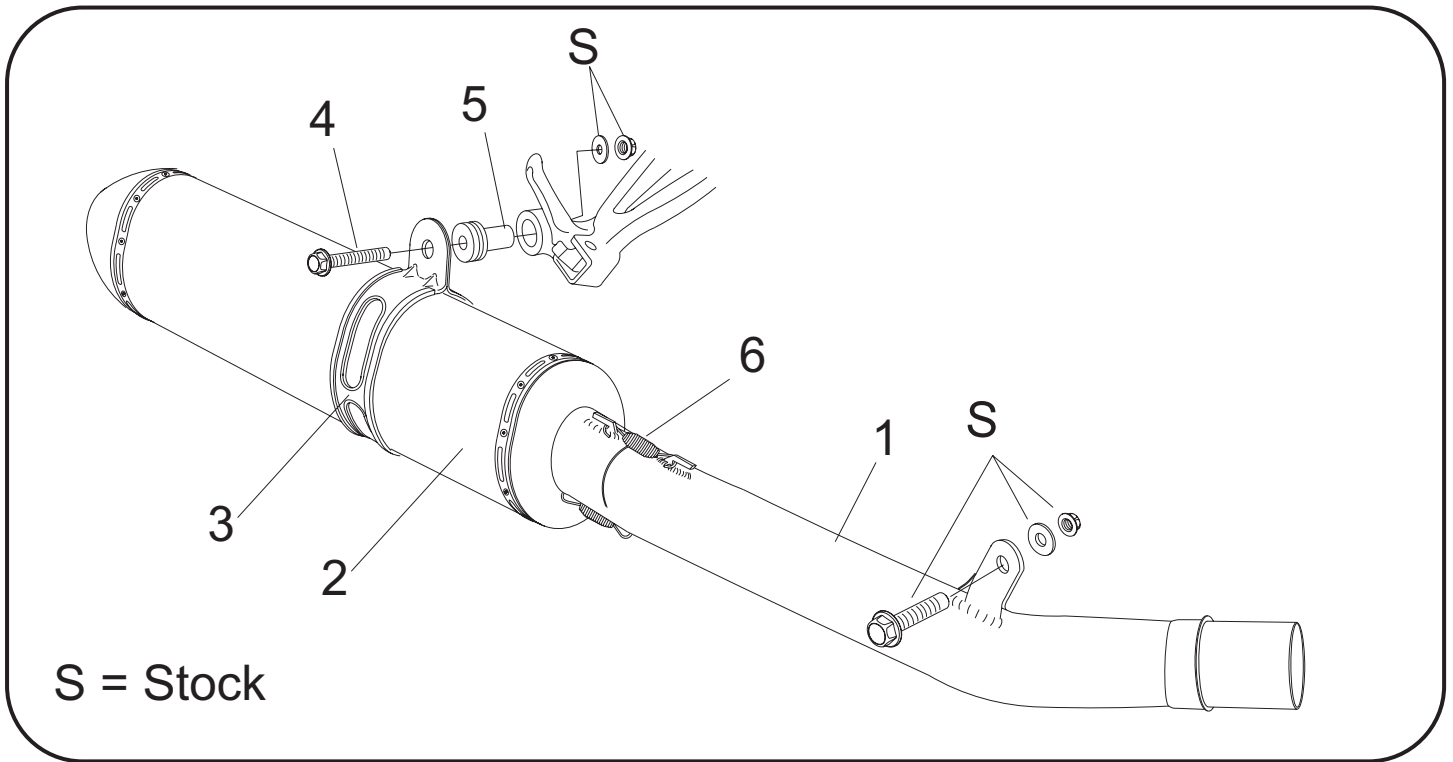


Fig. 3

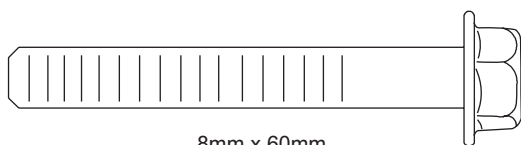
**PN: 14902552**



Parts Diagram

NO.	DESCRIPTION	QTY	PART #
1	Yoshimura tail-pipe Stainless Steel Race	1	ZX916SOT
2	RS3C Muffler Assembly	1	**
3	Yoshimura Oval Muffler Clamp Stainless Steel uses	1	COS450S10ALX
4	Flange Head Bolt	1	M10x60H
5	Aluminum Spacer	1	10X32X25SPC
6	Stainless Exhaust Spring	2	RACE-SPS
**	Instructions Manual	1	INST KIT
**	Low Volume Sound Insert	1	INS-15-K
**	Muffler Clamp Heat Insulator	1	HT SHLDTRS
**	Yoshimura Vinyl Sticker	1	17029

**Nuts and Bolts Guide (Actual Size):**



8mm x 60mm  
Flange Hex Bolt