



YOSHIMURA

RESEARCH & DEVELOPMENT OF AMERICA, INC.

5420 DANIELS STREET STE A, CHINO CA., 91786 · (800)634-9166 · (909)628-4722 · FACSIMILE (909)591-2198

www.yoshimura-rd.com

RS-3C OVAL PERFORMANCE EXHAUST SYSTEM

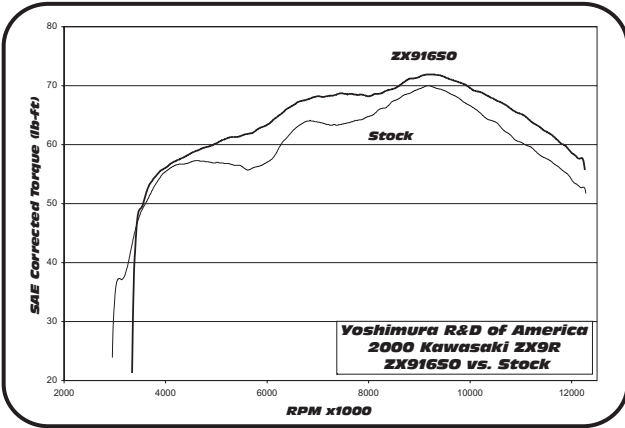
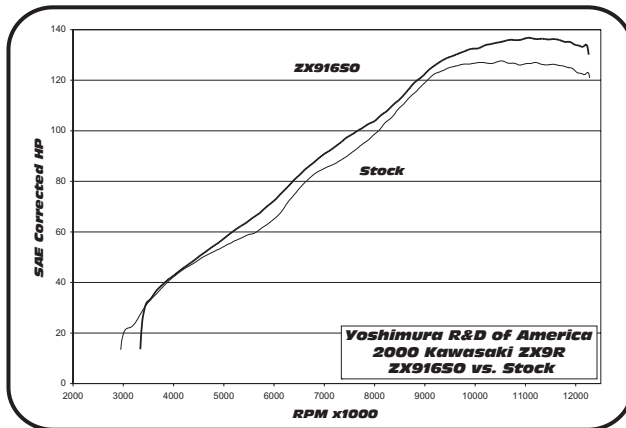
KAWASAKI

2002

ZX-9R

14912552

STAINLESS STEEL RACE SLIP-ON SYSTEM



Note: Dyno graphs are for comparison use only. Actual results may vary depending on operating and motorcycle condition.



ACTUAL PRODUCT MAY VARY FROM IMAGES.



THIS PRODUCT IS DESIGNED FOR USE IN CLOSED COURSE RACING AND IS NOT INTENDED FOR HIGHWAY USE.



NOTE: IN THE STATE OF CALIFORNIA, IT IS ILLEGAL TO MODIFY THE EMISSION CONTROL SYSTEM, WHICH INCLUDES THE CARBURETORS OF ANY VEHICLE.

Caution: Exhaust system can be extremely hot. Let motorcycle cool down before beginning installation.

Note: Read through all instructions before beginning installation.

Tools Needed:

- 12mm and 14mm sockets
- 14mm wrench
- 3/8" ratchet and extension Torque wrench

Installation Steps:

- 1 Remove stock muffler assembly. (see Fig. 1)
- 2 Slide supplied collector clamp over end of Yoshimura slip-on muffler assembly and install slip-on onto stock header.
- 3 Mount tail-pipe to outside of chassis mount using stock bolt, washer and nut. (Do not tighten at this time)
- 4 Apply heat insulator to inside of muffler clamp and slide clamp onto muffler. (Note direction of clamp in Fig. 2)
- 5 Mount clamp to stock muffler bracket using stock bolt with supplied washer, and stock washer and nut. (See Fig. 2) Torque bolt to 2.5 kg-m (18 lb-ft).
- 6 Torque chassis bolt to 2.5 kg-m (18 lb-ft).
- 7 Torque collector clamp to 2.5kg-m (18 lb-ft)
- 8 It is recommended that the entire exhaust system be wiped down with rubbing alcohol to remove oil and fingerprints. This will help prevent tarnishing of the finish after the exhaust is heated up.
- 9 Before starting motorcycle, check for proper clearance between new exhaust system and motorcycle. (i.e. swing-arm, fairings etc.) If any problem is found, please carefully follow through the installation steps again. If problem still persists, please call Yoshimura tech. dept at (800) 634-9166/ in CA (909) 628-4722



Fig. 1

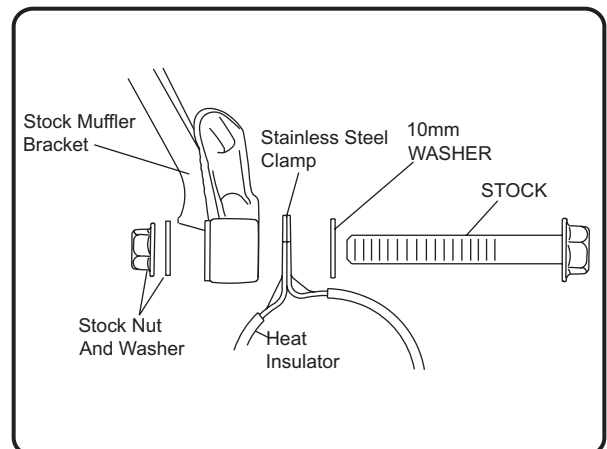
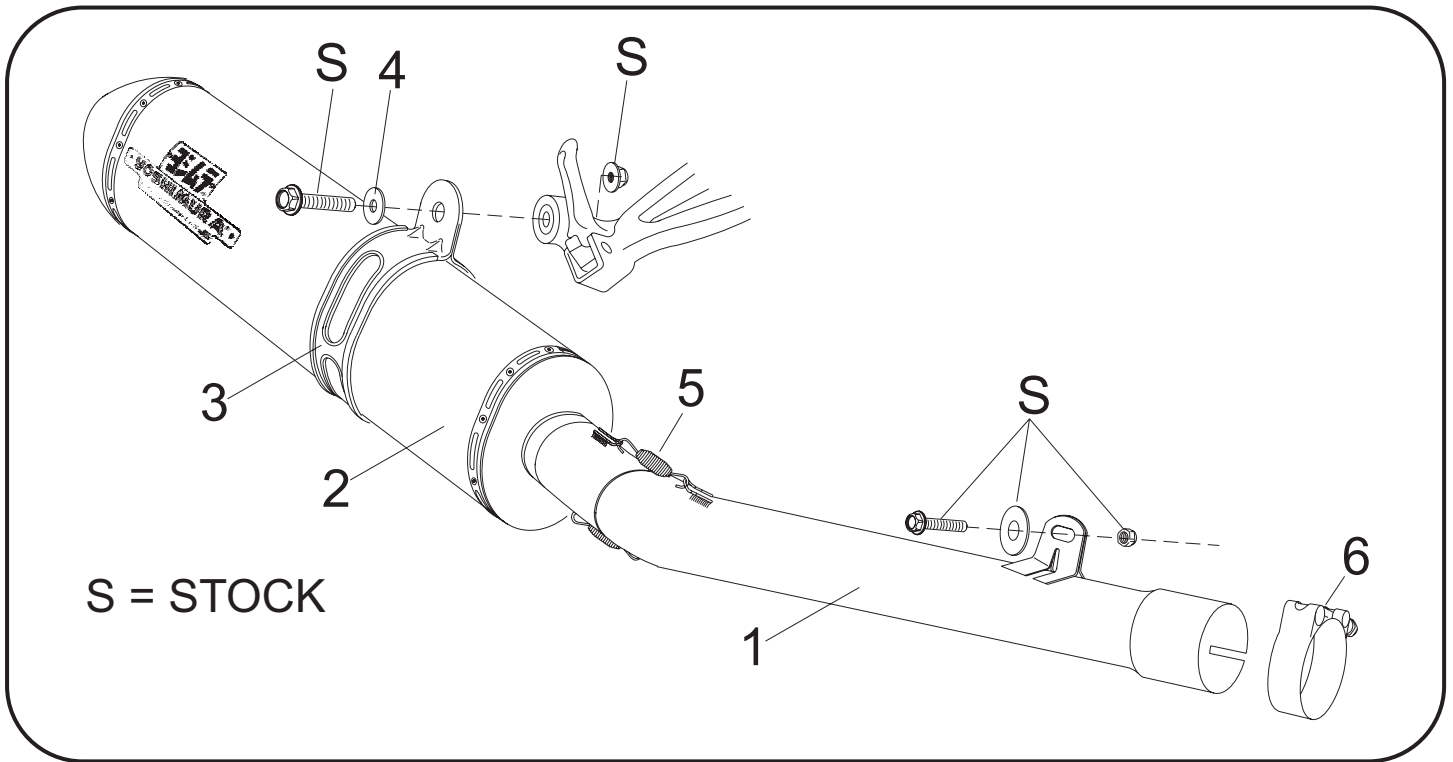


Fig. 2

Note: After starting motorcycle, it is normal for new exhaust system to smoke until oil residue burns off.

PN: 14912552

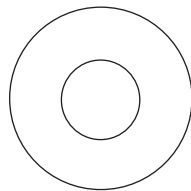


S = STOCK

Parts Diagram

NO.	DESCRIPTION	QTY	PART #
1	Yoshimura tail-pipe Stainless Steel Race	1	1491-435
2	RS-3C Oval Muffler Assembly	1	**
3	Stainless Steel Oval Muffler Clamp Stainless Steel uses	1	COS450S10ALX
4	Large Washer	1	10X30WSH
5	2.5" Exhaust Spring	2	RACE-SPS
6	Stainless Steel Collector Clamp	1	200-62
**	Instruction Manual	1	INST KIT
**	Low Volume Sound Insert	1	INS-15-K
**	Muffler Clamp Heat Insulator	1	HT SHLDTRS
**	Yoshimura Vinyl Sticker	1	17029

Nuts and Bolts Guide (Actual Size):



10mm Large Flat Washer