



YOSHIMURA

RESEARCH & DEVELOPMENT OF AMERICA, INC.

5420 DANIELS STREET STE A, CHINO CA., 91710 · (800) 634-9166 · (909) 628-4722 · FAX (909) 591-2198

www.yoshimura-rd.com

Street Series

Qualified Manufacturer Declared "Replacement Part"

2020

KTM 1290 Super Duke

16291MP720 (Ti/CF)

Titanium AT2 Slip-On Exhaust System



Signature Series systems are:

- CARB/EPA tail-pipe emissions compliant.
- Marked with appropriate EPA noise labels.
- Independent laboratory tested for EPA new vehicle noise compliance.

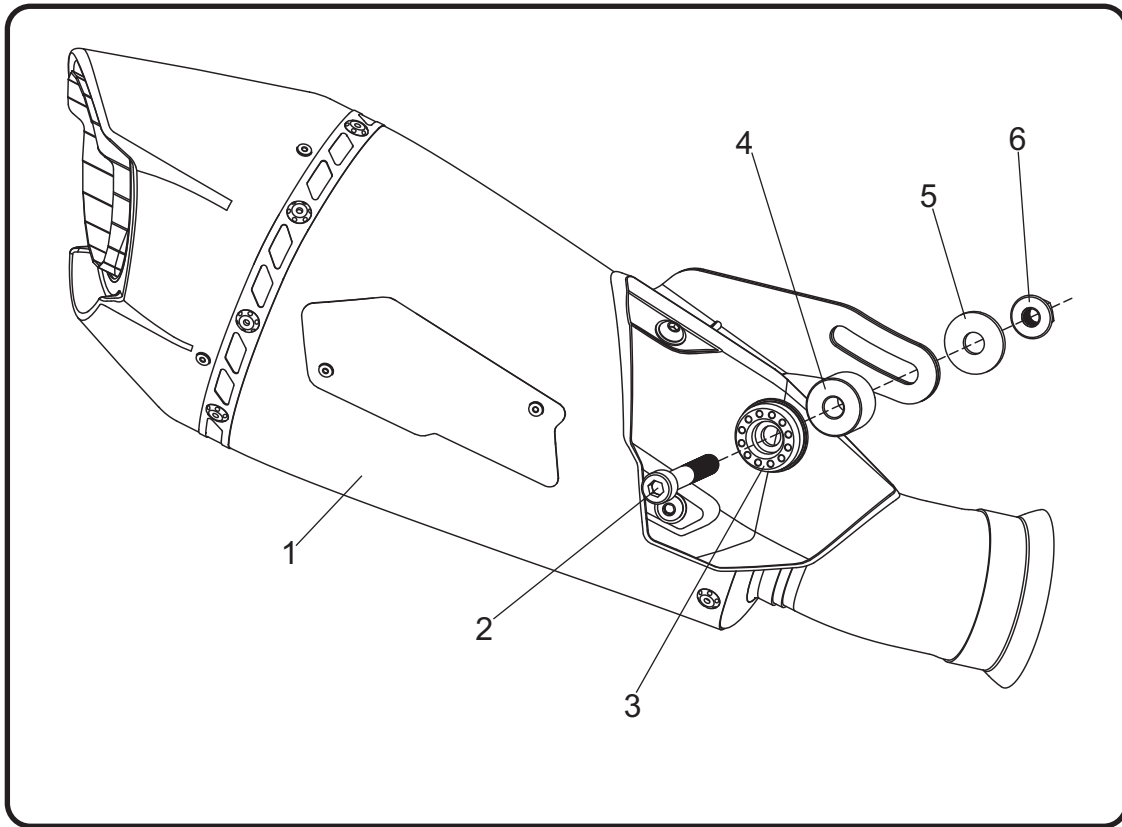


You must know how to remove and replace your stock exhaust in order to install this product otherwise have it installed by a professional mechanic. Keep all stock parts from your existing system as some components may be necessary to install your new Yoshimura exhaust depending on the application. Read through all instructions before beginning installation. Exhaust system can be extremely hot. Let motorcycle cool down before beginning installation. Always wear hand and eye protection and take precautionary measures to avoid injury.



NOTE: IN THE STATE OF CALIFORNIA, IT IS ILLEGAL TO MODIFY THE EMISSION CONTROL SYSTEM, WHICH INCLUDES THE CARBURETORS OF ANY VEHICLE.

Assembly Diagram



No.	Item	Description	Qty.
1	16291MP720-RMA	Yoshimura Muffler Assembly	1
2	M8X55	8mm x 55mm Socket Head Cap Bolt	1
3	M8ALCSW-00	8mm Aluminum Countersink Washer	1
4	8X17SPC	Aluminum Spacer	1
5	8MMWASHERL	8mm Large Washer	1
6	8MMNUT	8mm Flange Nut	1
**	17100	Sticker Sheet	1

CAUTION: Exhaust system can be extremely hot. Let motorcycle cool down before beginning installation. Always wear hand and eye protection and take precautionary measures to avoid injury.

WARNING: Always properly support vehicle with a stand and/or lift when servicing or performing any work. Unstable vehicles may present dangerous conditions and may cause property damage and/or personal injury.

NOTE: Read through all instructions before beginning installation.

Removal

1. Remove exhaust clamp screw and remove exhaust clamp.

Note: The stock exhaust clamp will be re-used with the Yoshimura slip-on exhaust system.

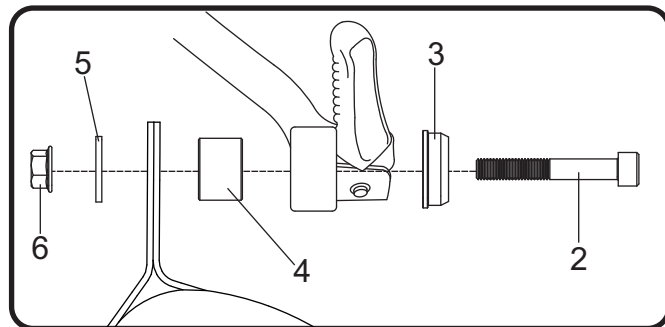
2. While securely supporting the stock muffler assembly, remove muffler mount bolt and carefully remove the stock muffler assembly.

Note: The stock exhaust gasket will be re-used with the Yoshimura slip-on exhaust system. Inspect and replace if necessary.

Installation

1. Install Yoshimura muffler assembly onto stock header outlet.
2. Re-install the stock exhaust clamp at tailpipe and header connection. Do not torque at this time.
3. Align muffler mount bracket to the backside of the stock muffler mount and secure using the (No. 2) *M8X55*, 8mm bolt, (No. 3) *M8ALCSW-00*, countersink washer, (No. 4) *8X17SPC*, spacer, (No. 5) *8MMWASHERL*, 8mm washer, and (No. 6) *8MMNUT*, 8mm flange nut as shown. Do not torque at this time.

Note: The muffler mount bracket is slotted for the two different footpeg positions on the



motorcycle.

4. Torque exhaust clamp to factory specification.
5. Torque (No. 2) *M8X55*, muffler mount bolt to 32 Nm (0.32 Kg-m, 24 ft-lb).
6. Before starting motorcycle, check for proper clearance between new exhaust system and rear suspension (i.e. tire, swing arm, brakes, rear shock, and etc.) If any problem is found, please carefully follow through the installation steps again. If problem still persists, please call Yoshimura Tech Department at (800) 634-9166 / in CA (909) 628-4722.
7. It is recommended that the muffler and tailpipe be wiped down with rubbing alcohol to remove oil and fingerprints. This will help prevent tarnishing of the finish after the exhaust is heated up.

Note: After starting motorcycle, it is normal for new exhaust system and muffler to emit smoke until oil residue burns off.

Works Finish Care & Maintenance

Before starting vehicle, clean pipe thoroughly using a soft cloth and rubbing alcohol to remove any oil and finger prints.

The color of the exhaust will change once the system has gone through a heat cycle of 15 minutes or more. Color will vary depending on lean/rich conditions.

Clean using a soft cloth and soap. Do not use abrasive materials as it will scratch the surface.

Surface reconditioning services are available to remove scratches and undesirable discoloration due to extreme heat. Contact Yoshimura Tech Department at (800) 634-9166 / in CA (909) 628-4722 for more information.