





SIGNATURE SERIES


Qualified Manufacturer Declared "Replacement Part"

APPLICATION

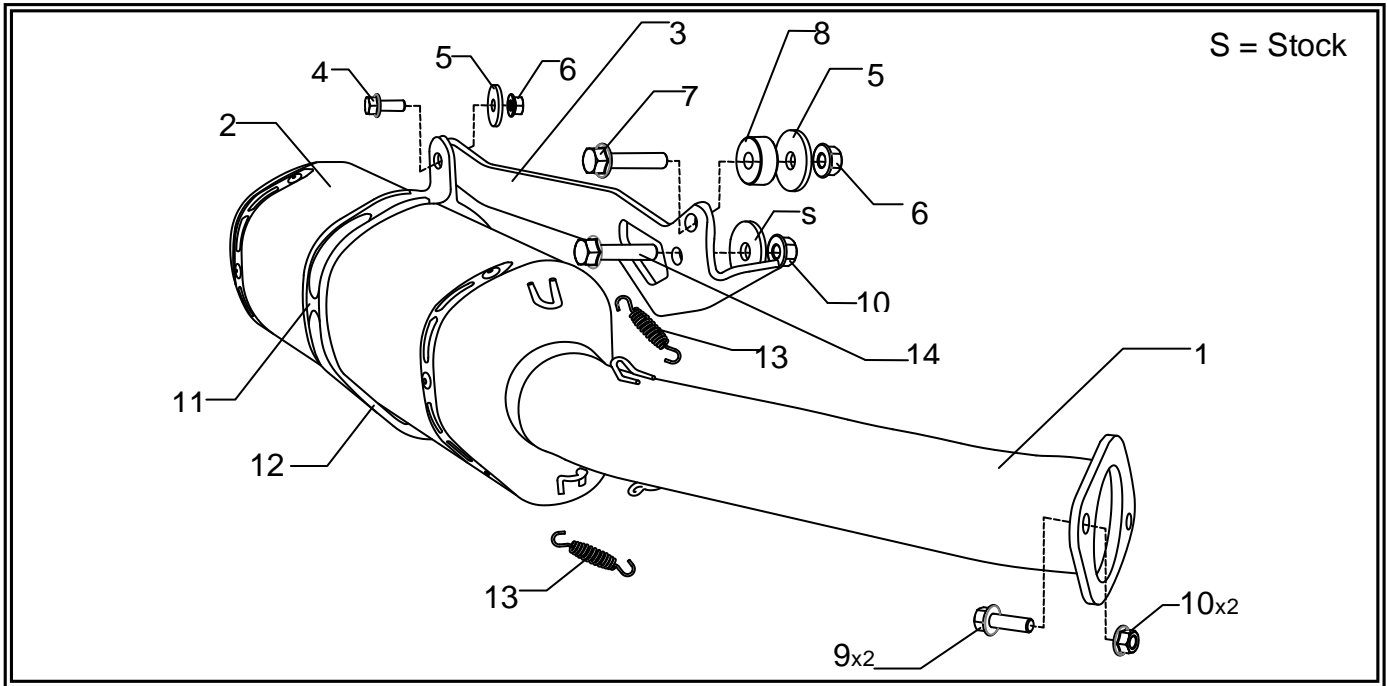
YEAR	MODEL
2010-2013	Can-Am Spyder RT
PRODUCT	
19350E0220	R77 SS Slip-on Exhaust with Carbon Fiber Sleeve; Carbon Fiber Endcap
19350E0550	R77 SS Slip-on Exhaust with Stainless Steel Sleeve; Stainless Steel Endcap

- 

This product is 50-state legal and complies with Federal and State regulations. Any attempts to modify this product will render it non-compliant with Federal law and void warranty. If modified, the vehicle can no longer be used on public roads and can only be used for off-highway closed course competition. In the state of California, it is illegal to modify the emission control system, which includes the fuel injection system of any vehicle.
- 

You must know how to remove and replace your stock exhaust in order to install this product otherwise have it installed by a professional mechanic. Keep all stock parts from your existing system as some components may be necessary to install your new Yoshimura exhaust depending on the application.
- 

Read through all instructions before beginning installation. Exhaust system can be extremely hot. Let motorcycle cool down before beginning installation. Always wear hand and eye protection and take precautionary measures to avoid injury.



No.	Part #	Description	Qty
1	19350-435	Yoshimura Tailpipe	1
2	N/A	Yoshimura Muffler Carbon Fiber Sleeve Stainless Steel Sleeve	1
3	19350-BRKT	Yoshimura Chassis Mount Bracket	1
4	M8X20H	8mm x 20mm Flanged Hex Bolt	1
5	8MMWASHERXL	8mm XL Washer	2
6	8MMNUT	8mm Nut	2
7	M8X30H	8mm x 30mm Flanged Hex Bolt	1
8	8X10SPC	Aluminum Spacer	1
9	M10X25H	10mm x 25mm Flanged Hex Bolt	2
10	10MMFNUT	10mm Nut	3
11	1121-MPCL 1121-MPCLX	Yoshimura Muffler Clamp Carbon Fiber Sleeve Stainless Steel Sleeve	1
12	HT SHLDR77	Muffler Clamp Heatshield	1
13	RACE-SPL-1	Long Spring w/ Insulator 3.0"	1
14	M10X45H	10mm x 45mm Flanged Hex Bolt	1
**	ST-200	Spring Puller	1
**	17029	Yoshimura Sticker Sheet	1

-TOOLS REQUIRED-

Metric Socket Set • Combination Wrench Set • Torque Wrench • Metric Allen Wrench Set

-REMOVAL-

1. **Remove the (2) stock tailpipe bolts at flange.**
2. **While securely supporting the muffler, remove the muffler mount bolt and carefully remove stock muffler assembly.**
3. **Remove stock exhaust gasket as it will not be used with the Yoshimura system.**

-INSTALLATION-

1. *Small parts installation.*
 - a) **Install Yoshimura muffler mount bracket using the provided bolt, spacer, washer, and nut. See diagram for orientation. Do not torque at this time.**
 - b) **Install muffler clamp heatshield onto Yoshimura muffler clamp.**
2. *Installing the muffler tailpipe assembly.*
 - a) **Slide Yoshimura muffler clamp over Yoshimura muffler.**
 - b) **Install tailpipe to stock header outlet using the supplied bolts and nuts. Do not torque at this time.**
 - c) **Install muffler clamp onto muffler mount bracket using the supplied bolt, washer and nut. See diagram for orientation. Do not torque at this time.**

Note: Removal of the muffler springs may be necessary in order to twist and rotate the muffler independently from the tailpipe to achieve desired alignment. Re-install muffler springs when desired alignment is achieved.

- d) **Torque tailpipe flange bolts to 29Nm. (2.9 kg-m, 21 ft-lb)**
 - e) **Torque muffler mount bracket and muffler hanger bolts to 13Nm. (1.3 kg-m, 10 ft-lb)**
3. *Fitment check and Notes.*
 - a) **Before starting motorcycle, check for proper clearance between new exhaust system and rear suspension (i.e. tire, swing-arm, brake, rear shock, engine, and etc.) If any problem is found, please carefully follow through the installation steps again. If problem still persists, please call Yoshimura Tech Department at (800) 634-9166 / in CA (909) 628-4722.**
 - b) **It is recommended that the muffler and tailpipe be wiped down with rubbing alcohol to remove oil and fingerprints. This will help prevent tarnishing of the finish after the exhaust is heated up.**
 - c) **NOTE: After starting motorcycle, it is normal for new exhaust system and muffler to emit smoke until oil residue burns off.**

NOISE EMISSION WARRANTY

Yoshimura warrants that this exhaust system, at time of sale, meets all applicable U.S. E.P.A. Federal noise standards. This warranty extends to the first person who buys this exhaust system for purposes other than resale, and to all subsequent buyers. Warranty claims should be directed to Yoshimura R&D of America, Inc.
5420 Daniels St. Chino, CA 91710 | Tel (800) 634-9166

TAMPERING PROHIBITION

Federal law prohibits any modification to this exhaust system which causes the motorcycle to exceed the Federal noise standard. Use of the motorcycle with such a modified exhaust system is also prohibited.

Acts likely to constitute tampering include removal or puncturing the muffler, baffles, header pipes, or any other component which conducts exhaust gases.

WARNING: This product should be checked for repair or replacement if the motorcycle noise has increased significantly through use. Otherwise, the owner may become subject to penalties under state and local ordinances.