



RACE SERIES

Qualified Manufacturer Declared "Modified Part"

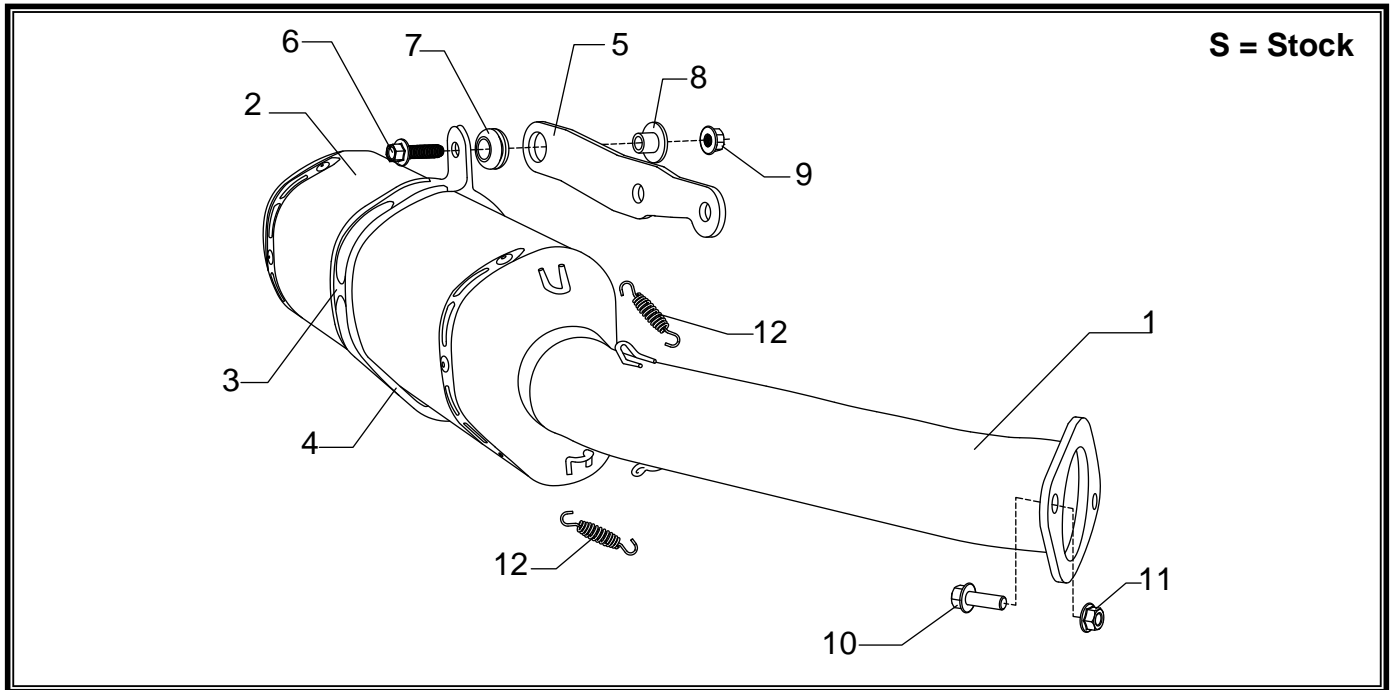
YEAR	MODEL
2013	Can-Am Spyder RS-S

PRODUCT

1936020220	R77 SS Slip-on Exhaust with Carbon Fiber Sleeve; Carbon Fiber Endcap
1936020520	R77 SS Slip-on Exhaust with Stainless Steel Sleeve; Stainless Steel Endcap

	This product is designed for use in closed course racing and is not intended for highway use. In the state of California, it is illegal to modify the emission control system, which includes the fuel injection of any vehicle.
	You must know how to remove and replace your stock exhaust in order to install this product otherwise have it installed by a professional mechanic. Keep all stock parts from your existing system as some components may be necessary to install your new Yoshimura exhaust depending on the application.
	Read through all instructions before beginning installation. Exhaust system can be extremely hot. Let motorcycle cool down before beginning installation. Always wear hand and eye protection and take precautionary measures to avoid injury.

FOR CLOSED COURSE COMPETITION ONLY; NOT INTENDED FOR STREET USE



No.	Part #	Description	Qty
1	19350-435	Yoshimura Tailpipe	1
2	CRR77F146W SRR77F146W	Yoshimura Muffler Carbon Fiber Sleeve Stainless Steel Sleeve	1
3	1121-MPCL 1121-MPCLX	Yoshimura Muffler Clamp Carbon Fiber Sleeve Stainless Steel Sleeve	1
4	HT SHLDR77	Muffler Clamp Heatshield	1
5	19360-BRKT	Chassis Mount Bracket	1
6	M8X30H	8mm x 30mm Flanged Hex Bolt	1
7	Z1022	Rubber Grommet	1
8	ALS-003	Aluminum Spacer	1
9	8MMNUT	8mm Flange Nut	1
10	M10X25H	10mm x 25mm Flanged Hex Bolt	2
11	10MMFNUT	10mm Flange Nut	2
12	RACE-SPL-1	Long Spring w/ Insulator 3.0"	2
**	ST-200	Spring Puller	1
**	17029	Yoshimura Sticker Sheet	1

-TOOLS REQUIRED-

Metric Socket Set • Combination Wrench Set • Torque Wrench • Metric Allen Wrench Set

-REMOVAL-

1. **Remove the (2) stock tailpipe bolts at flange.**
2. **While securely supporting the muffler, remove the muffler mount bolt and carefully remove stock muffler assembly.**
3. **Remove stock exhaust gasket as it will not be used with the Yoshimura system.**

-INSTALLATION-

1. *Small parts installation.*

- a) **Install (Z1022) rubber grommet into (19360-BRKT) chassis mount bracket.**
- b) **Install Yoshimura muffler mount bracket behind the stock muffler mount and secure using the (2) stock bolts, washer and nuts. See figure below.**



- c) **Install (HT SHLDR77) muffler clamp heatshield onto (1121-MPCL[X]) Yoshimura muffler clamp.**

2. *Installing the muffler tailpipe assembly.*

- a) **Slide (1121-MPCL[X]) muffler clamp over Yoshimura muffler.**
- b) **Install tailpipe to stock header outlet using the supplied (M10X25H) bolts and (10MMFNUT) nuts. Do not torque at this time.**
- c) **Install (1121-MPCL[X]) muffler clamp onto (19360-BRKT) chassis mount bracket using the supplied (M8X30H) bolt, (ALS-003) aluminum spacer, and (8MMNUT) nut. See diagram for proper orientation and order of hardware. Do not torque at this time.**

Note: Removal of the (RACE-SPL-1) muffler springs may be necessary in order to twist and rotate the muffler independently from the tailpipe to achieve desired alignment. Re-install muffler springs when desired alignment is achieved.

- d) **Torque tailpipe flange bolts to 29Nm. (2.9 kg-m, 21 ft-lb)**
- e) **Torque muffler mount bracket and muffler hanger bolts to 13Nm. (1.3 kg-m, 10 ft-lb)**

3. *Fitment check and Notes.*

- a) *Before starting motorcycle, check for proper clearance between new exhaust system and rear suspension (i.e. tire, swing-arm, brake, rear shock, engine, and etc.) If any problem is found, please carefully follow through the installation steps again. If problem still persists, please call Yoshimura Tech Department at (800) 634-9166 / in CA (909) 628-4722.***
- b) *It is recommended that the muffler and tailpipe be wiped down with rubbing alcohol to remove oil and fingerprints. This will help prevent tarnishing of the finish after the exhaust is heated up.***
- c) *NOTE: After starting motorcycle, it is normal for new exhaust system and muffler to emit smoke until oil residue burns off.***