



YOSHIMURA

RESEARCH&DEVELOPMENT OF AMERICA, INC.

5420 DANIELS STREET STE A, CHINO CA., 91710 · (800) 634-9166 · (909) 628-4722 · FACSIMILE (909) 591-2198

www.yoshimura-rd.com

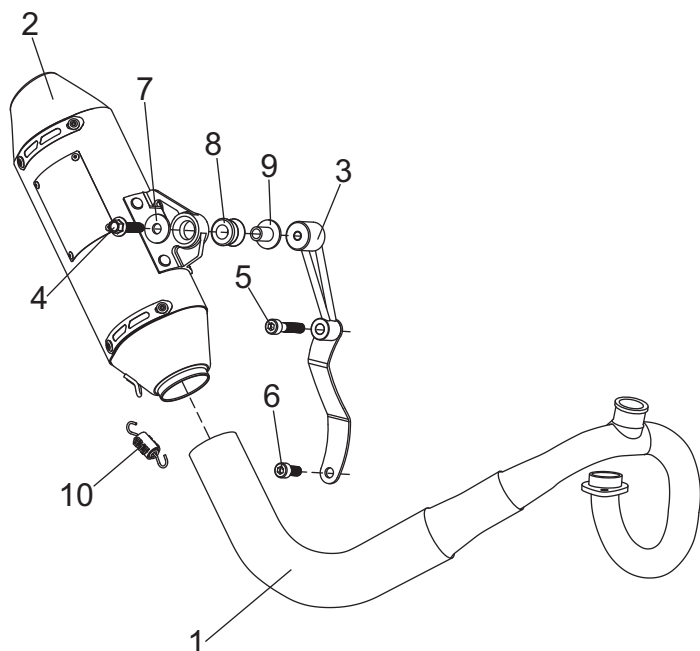
RACE SERIES

Qualified Manufacturer Declared "Modified Part"

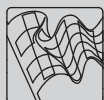
GY6 / RUCKUS

19600AB250 (CF/SS) RS-2 Stainless Full-System

FOR CLOSED COURSE COMPETITION ONLY; NOT INTENDED FOR STREET USE

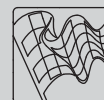


No.	Item	Description	Qty.
1	19600-401D	Yoshimura Header	1
2	19600AB250-RMA	Yoshimura Muffler Assembly	1
3	19600-MBKT	Muffler Bracket	1
4	M8X35H	8mm x 35mm Flanged Hex Head Bolt	1
5	M8X40	8mm x 40mm Socket Head Cap Bolt	1
6	M8X20	8mm x 20mm Socket Head Cap bolt	1
7	8MMWASHERL	8mm Large Washer	1
8	011257-00	Rubber Bushing	1
9	ALS-001	Aluminum Spacer	1
10	RACE-SPX-1	Small Exhaust Spring	1
**	INS-25-K	Low Volume Sound Insert	1
**	M18X13PLG	O2 Bung Plug	1
**	ST-200	Spring Puller Tool	1
**	17029	Sticker Sheet	1



Race Series systems are:

- NOT CARB/EPA tail-pipe emissions compliant.
- NOT street legal.
- For "Closed Course Competition" use only.



You must know how to remove and replace your stock exhaust in order to install this product otherwise have it installed by a professional mechanic. Keep all stock parts from your existing system as some components may be necessary to install your new Yoshimura exhaust depending on the application. Read through all instructions before beginning installation. Exhaust system can be extremely hot. Let motorcycle cool down before beginning installation. Always wear hand and eye protection and take precautionary measures to avoid injury.



NOTE: IN THE STATE OF CALIFORNIA, IT IS ILLEGAL TO MODIFY THE EMISSION CONTROL SYSTEM, WHICH INCLUDES THE CARBURETORS OF ANY VEHICLE.