



# YOSHIMURA

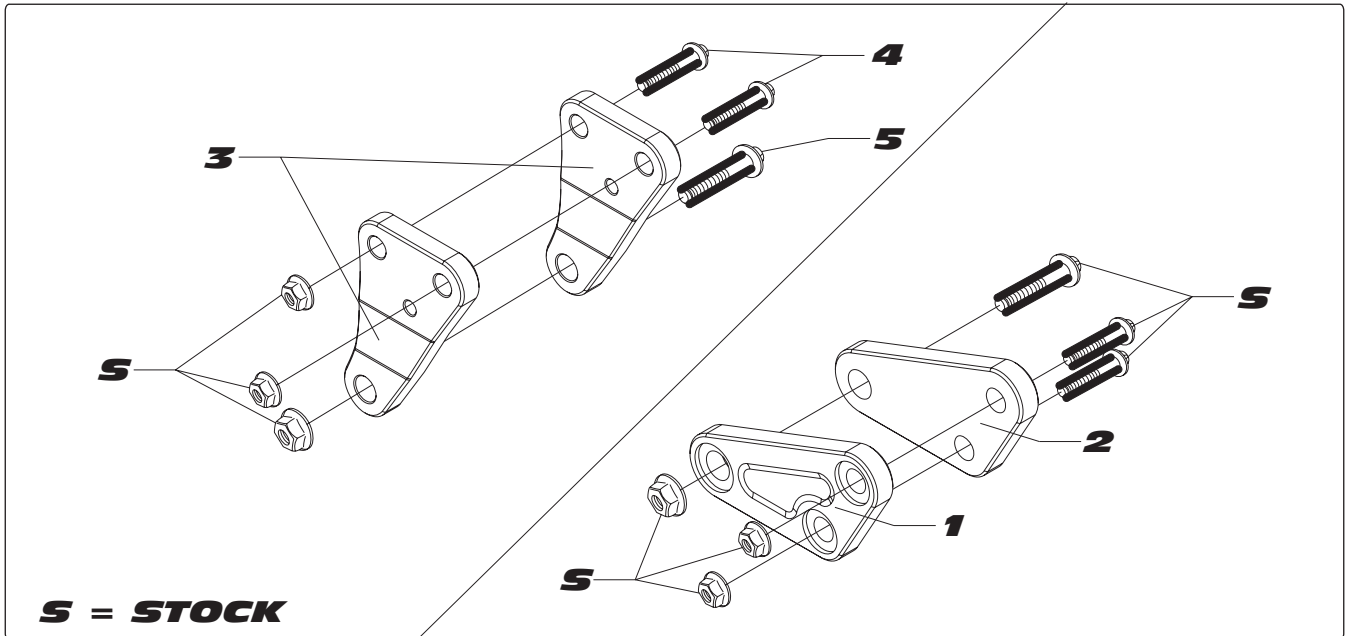
RESEARCH & DEVELOPMENT OF AMERICA, INC.

5420 DANIELS STREET STE A, CHINO CALIF. 91710 · (800)634-9166 · (909)628-4722 · FACSIMILE (909)591-2198

[www.yoshimura-rd.com](http://www.yoshimura-rd.com)

## YOSHIMURA ENGINE MOUNT KIT

**2166-820-K** 05-09 DRZ400/SM Engine Mount Kit



NO.	DESCRIPTION	QTY	PART #
1	Engine Mount, Front Right	1	2166-821
2	Engine Mount, Front Left	1	2166-823
3	Engine Mount, Rear	2	2166-822
4	8mm x 55mm Flange Head Bolt	2	M8X55H
5	10mm x 55mm Flange Head Bolt	1	M10X55H
***	Instruction Kit	1	INST KIT

### NOTE:

Yoshimura R&D is not liable or responsible for any resulting event caused by installation of this product. Installation only to be performed by qualified technician.

### Installation Instructions:

1. Remove seat, fuel tank, and side fairings.
2. Remove stock upper engine mounts.
3. Install Yoshimura engine mounts as shown above with included hardware. Tighten (2) upper bolts to 29 lb-ft (40 N-m). Tighten lower bolt to 47.5 lb-ft (66 N-m).
4. Remove exhaust header.
4. Remove stock lower engine mounts.
5. Install Yoshimura engine mounts as shown with stock hardware. Tighten (2) forward bolts to 29 lb-ft (40 N-m). Tighten rearward bolt to 47.5 lb-ft (66 N-m).