



YOSHIMURA

RESEARCH&DEVELOPMENT OF AMERICA, INC.

5420 DANIELS STREET STE A, CHINO CALIF. 91786 · (800)634-9166 · (909)628-4722 · FACSIMILE (909)591-2198

www.yoshimura-rd.com

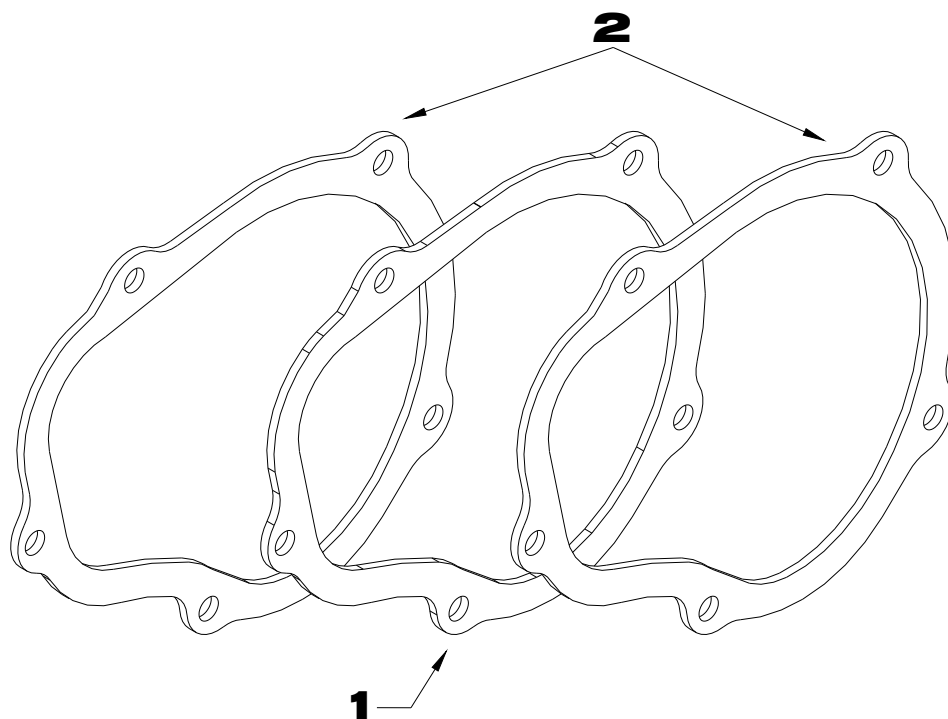
AIR DUCT PLATE KIT

SUZUKI

04-05

RMZ-250

2180-BFS-K



Part List:

	DESCRIPTION	QTY	PART #
1	RMZ 250 Air Duct Plate	1	2180-BFS
2	Gasket, RMZ Airbox BFR Spacer	2	2180-BFSG
	Yoshimura *USA* Sticker	2	17020C

Note: Read through all instructions before beginning installation.

Tools Needed:

8mm socket 1/4" 10" extension
10mm socket Screwdriver
1/4" ratchet

Installation Steps:

- 1 Remove the seat.
- 2 Remove the air filter.
- 3 Remove the five nuts that secure the air filter bracket and the screen to the airbox.
- 4 Remove the air filter bracket and the screen from the airbox. (See Fig. 1)
- 5 Carefully peel off the metal screen. (See Fig. 2)
- 6 Clean off the old gasket.
- 7 Put new gaskets on both sides of the air duct plate and reinstall it onto the air filter bracket. (See Fig. 3)
- 8 Place the air filter bracket back into the airbox and secure it with the five nuts from the outside of the airbox. (See Fig. 4)
- 9 Reinstall the air filter and seat.



Fig. 1



Fig. 2



Fig. 3



Fig. 4