



YOSHIMURA

RESEARCH&DEVELOPMENT OF AMERICA, INC.

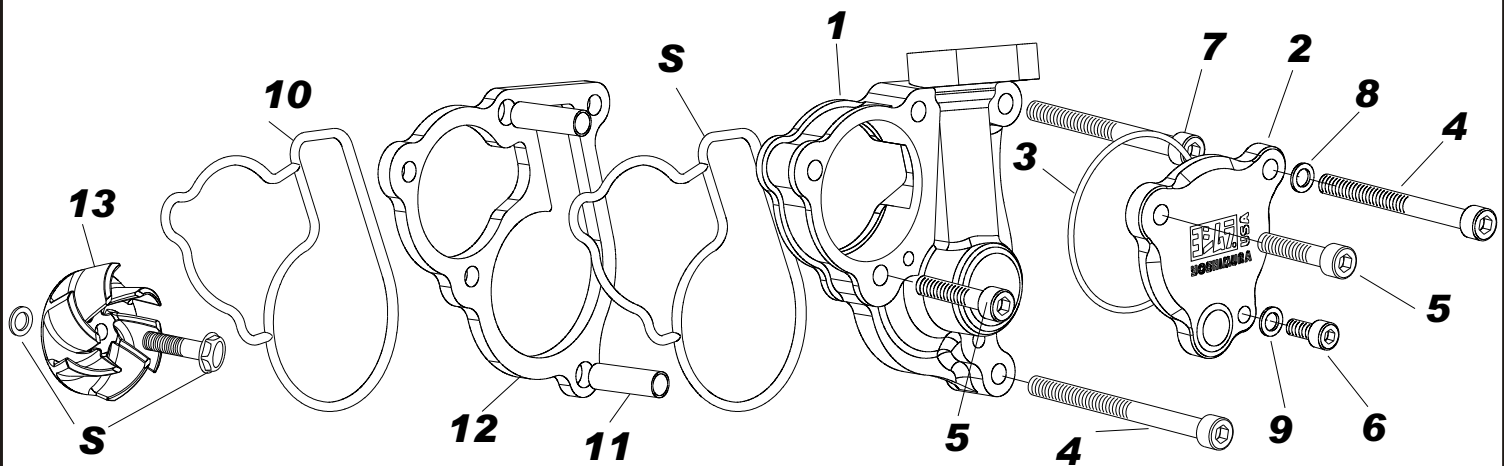
5420 DANIELS STREET STE A, CHINO CALIF. 91710 · (800)634-9166 · (909)628-4722 · FACSIMILE (909)591-2198

www.yoshimura-rd.com

WATER PUMP HIGH FLOW KIT

SUZUKI 04-05 RMZ-250

2180WPC-K



S = Stock

Part List:

NO.	DESCRIPTION	QTY	PART #
1	Waterpump Housing	1	2180WPC-A
2	Removable Oil Filter Cover	1	2180WPC-C
3	Oil Filter Cover O-Ring	1	9452K121
4	6mm x 70mm Socket Head Bolt	2	M6X70
5	6mm x 35mm Socket Head Bolt	2	M6X35
6	5mm x 12mm Socket Head Bolt	1	M5X12
7	6mm x 60mm Socket Head Bolt	1	M6X60
8	6mm Small Washer	1	6MMWASHERG
9	5mm Crush Washer	1	98044A220
10	Stock O-ring	1	K9205-50010
11	Dowel Pin	2	2180WPC-P
12	Water Pump Spacer	1	2180WPC-S
13	Water Pump Impeller	1	2180-804

Caution: Engine and exhaust system can be extremely hot. Let motorcycle cool down before beginning installation.

Note: Read through all instructions before beginning installation.

Tools Needed:

8mm Socket	4mm Allen Wrench
10mm Socket	5mm Allen Wrench
1/4" Ratchet	Thread Lock Liquid

Installation Steps:

- 1 With engine completely cooled down, drain engine coolant.
- 2 Remove stock water pump.
Note: Stock water pump o-ring and coolant pipe o-ring will be reused. (See Fig.1)
- 3 Remove stock impeller. (See Fig.2)
Note: Stock bolt and washer will be reused.
- 4 Clean the gasket surface.
- 5 Increase the length of the oil filter spring by 5 mm. (See Fig.3)
- 6 Install new impeller. Use stock bolt and washer.
Note: Place washer underneath impeller.
- 7 Install supplied dowel pins.
- 8 Install supplied stock o-ring gasket to water pump spacer. Install spacer onto dowel pins.
- 9 Install stock o-ring gasket to water pump housing and coolant pipe. Apply thread lock to bolts and install housing to engine.
- 10 Install stock spring on oil filter cover.
- 11 Install oil filter and oil filter cover.
- 12 Fill engine with coolant and top off oil to proper level.
Warm up engine and check for leaks.

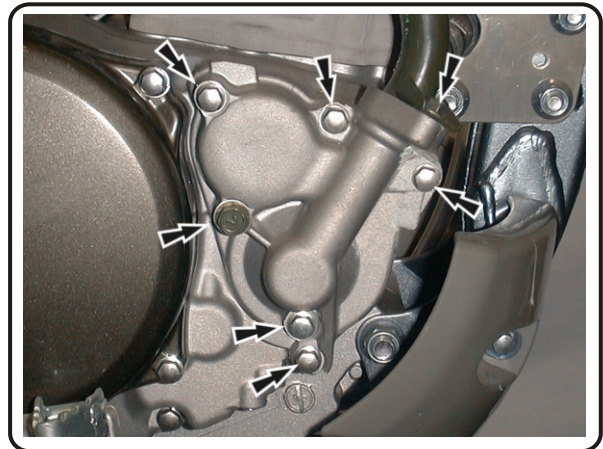


Fig. 1

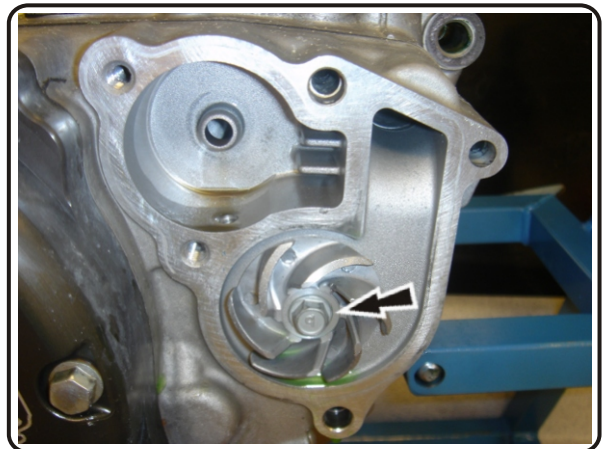


Fig. 2

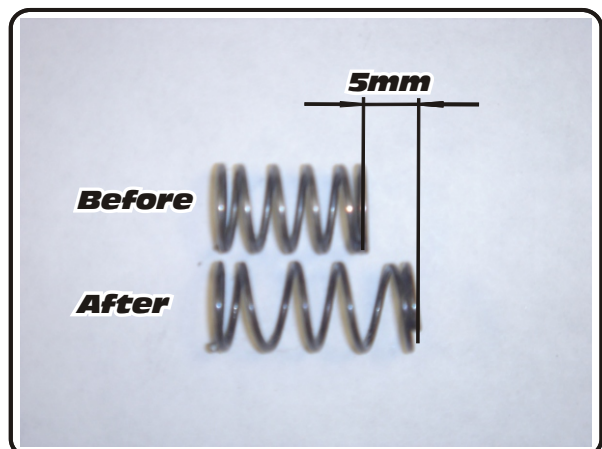


Fig. 3