



YOSHIMURA

RESEARCH&DEVELOPMENT OF AMERICA, INC.

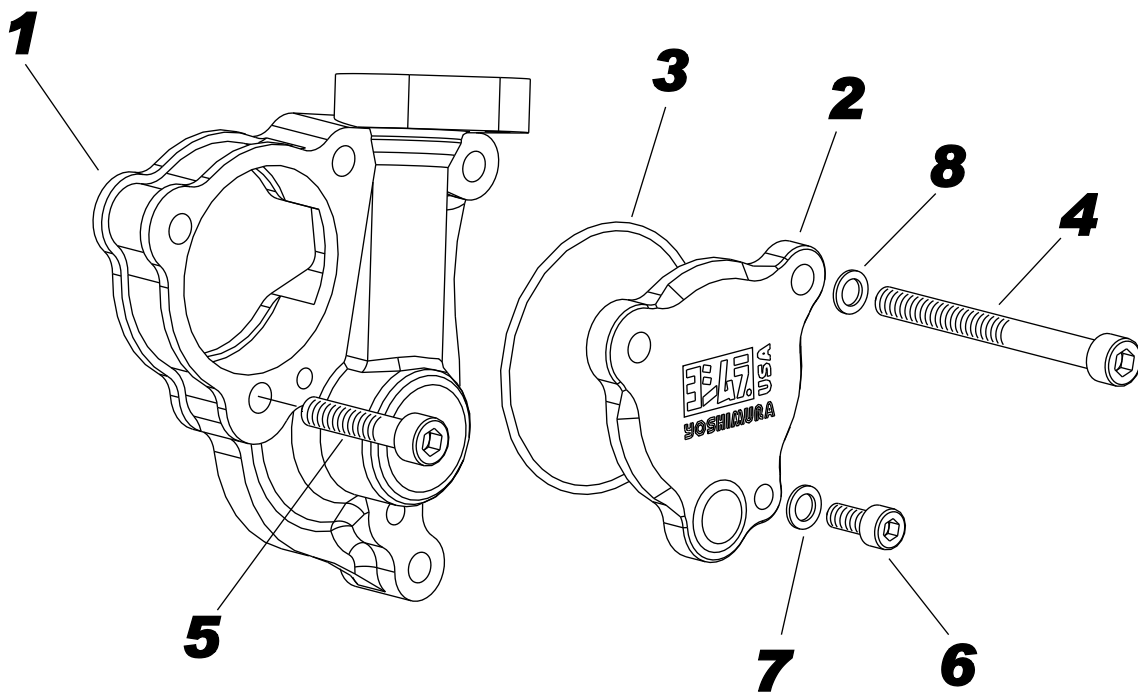
5420 DANIELS STREET STE A, CHINO CALIF. 91786 · (800)634-9166 · (909)628-4722 · FACSIMILE (909)591-2198

www.yoshimura-rd.com

2 PC WATERPUMP HOUSING

SUZUKI 2004 RMZ-250

2180WPC



Part List:

NO.	DESCRIPTION	QTY	PART #
1	Waterpump Housing	1	2180WPC-A
2	Removable Oil Filter Cover	1	2180WPC-C
3	Oil Filter Cover O-Ring	1	9452K121
4	6mm x 65mm Socket Head Bolt	1	M6X65
5	6mm x 30mm Socket Head Bolt	1	M6X30
6	5mm x 12mm Socket Head Bolt	1	M5X12
7	5mm Crush Washer	1	98044A220
8	6mm Small Washer	1	6MMWASHERG

Caution: Engine and exhaust system can be extremely hot. Let motorcycle cool down before beginning installation.

Note: Read through all instructions before beginning installation.

Tools Needed:

8mm socket	4mm Allen wrench
10mm socket	5mm Allen wrench
1/4" ratchet	Thread Lock Liquid

Installation Steps:

- 1 With engine completely cooled down, drain engine coolant.
- 2 Remove stock waterpump / oil filter cover. (Note: see Fig.1, some stock bolt will be re-use)
- 3 Clean all gasket surface.
- 4 Install stock o-ring gasket to waterpump housing and coolant pipe. Apply thread lock to bolts and install housing to engine. (See Fig. 2)
- 5 Install o-ring and stock spring on oil filter cover. (Use small amount of grease to hold o-ring in place if needed, See Fig. 3)
- 6 Install oil filter and oil filter cover. (See Fig. 4)
- 7 Fill engine with coolant and top off oil to proper level. Warm up engine and check for leaks.

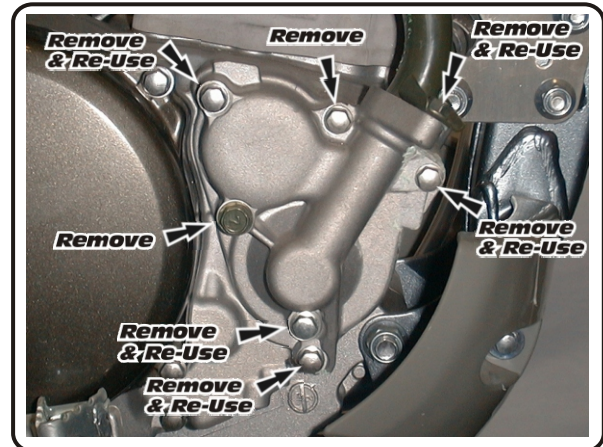


Fig. 1

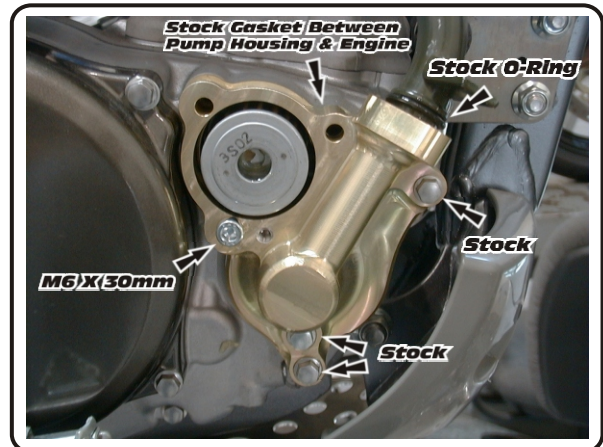


Fig. 2

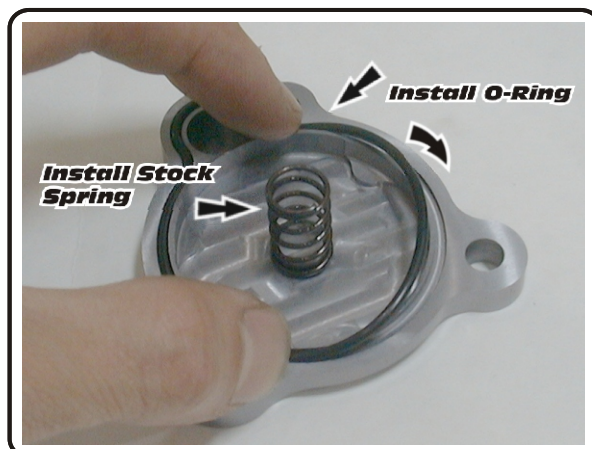


Fig. 3

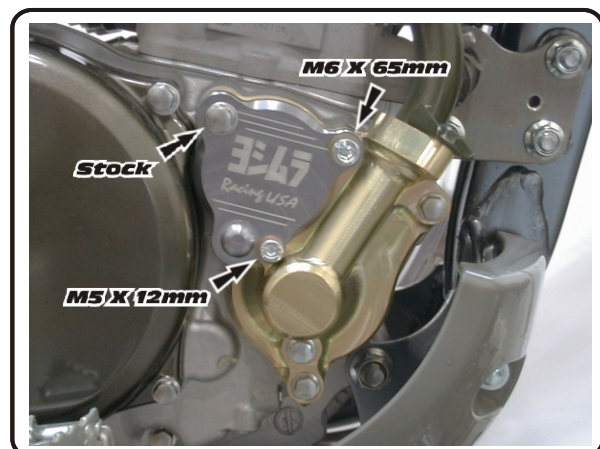


Fig. 4