



YOSHIMURA

RESEARCH & DEVELOPMENT OF AMERICA, INC.

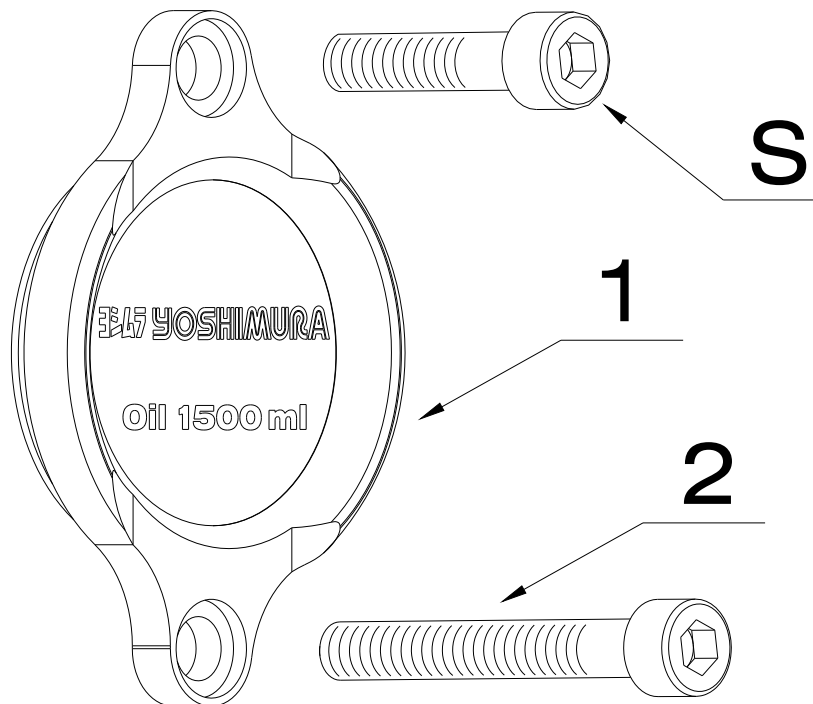
5420 DANIELS STREET STE A, CHINO CALIF. 91786 · (800)634-9166 · (909)628-4722 · FACSIMILE (909)591-2198

www.yoshimura-rd.com

OIL FILTER COVER

SUZUKI
2005
RMZ-450

2190-909-K



S - Stock

Part List:

	DESCRIPTION	QTY	PART #
1	RMZ450 Oil Filter Cap	1	2190-909
2	6mm x 35mm SOC Head Cap Screw	1	M6X35
**	Yoshimura *USA* Sticker	2	17020C

Caution: Engine and exhaust system can be extremely hot. Let motorcycle cool down before beginning installation.

Note: Read through all instructions before beginning installation.

Tools Needed:

5mm Allen Socket

Installation Steps:

- 1 Remove stock oil filter cover. (See Fig. 1)
- 2 Remove stock O-ring and spring from stock oil filter cover and install them onto Yoshimura oil filter cover. (See Fig. 2)
- 3 Install new Yoshimura oil filter cover onto stock water pump housing. (See Fig. 3)

NOTE: Use the stock bolt on top and the supplied bolt for the bottom.

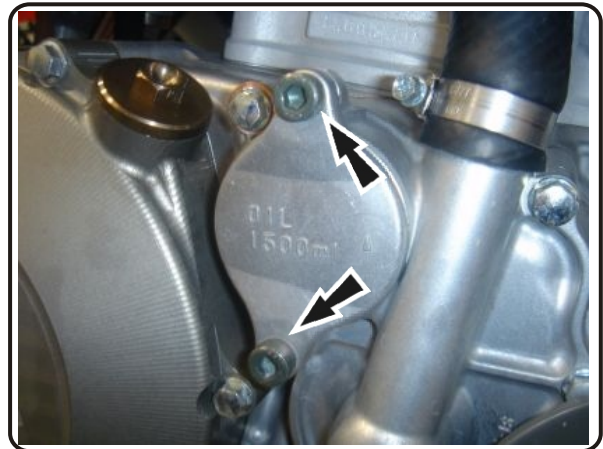


Fig. 1

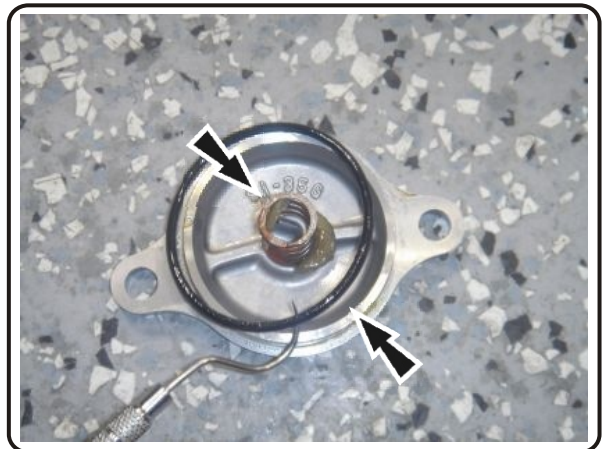


Fig. 2

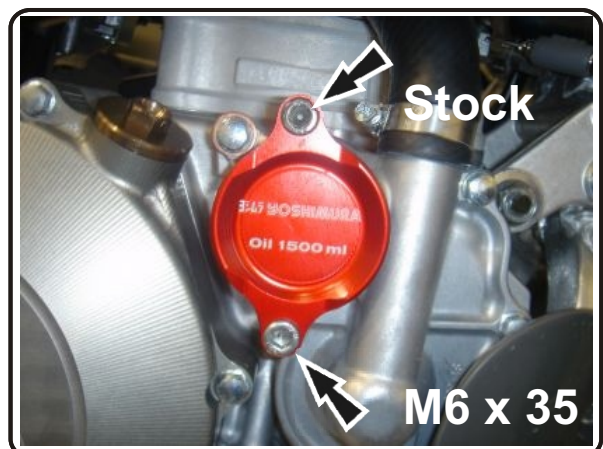


Fig. 3