



# SIGNATURE SERIES

**Qualified Manufacturer Declared "Replacement Part"**

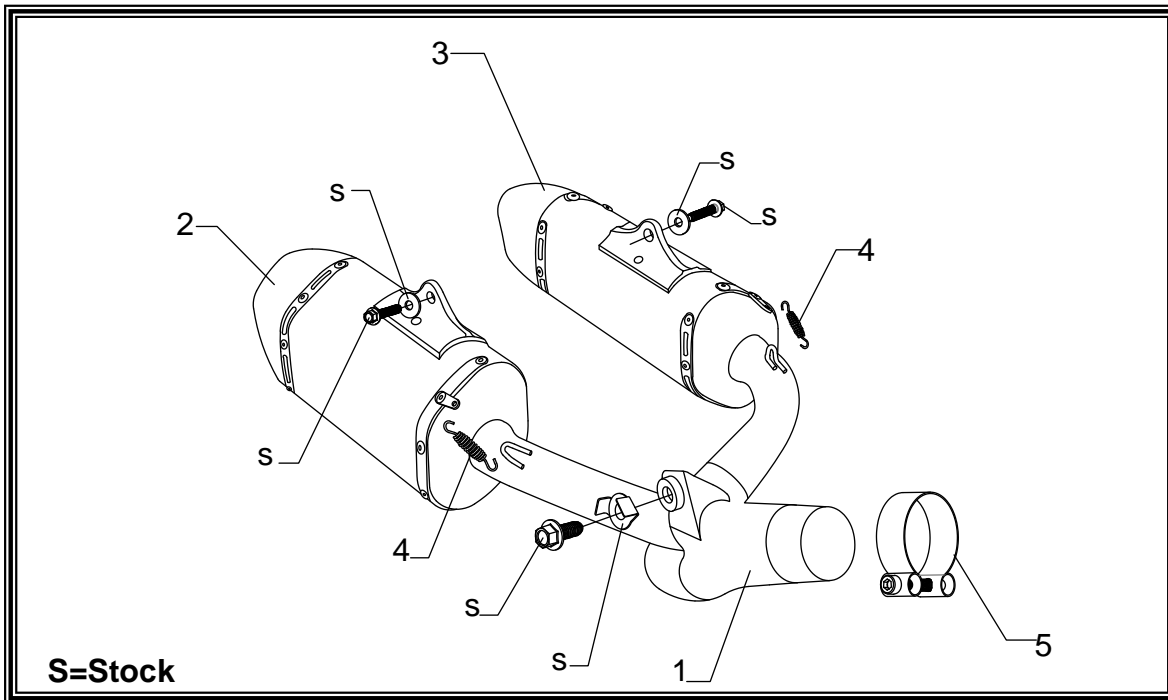
**APPLICATION**

|             |               |
|-------------|---------------|
| <b>YEAR</b> | <b>MODEL</b>  |
| 2013-2014   | Honda CRF450R |

**PRODUCT**

|            |  |
|------------|--|
| 225812H320 | RS9 SS Slip-On Exhaust with Aluminum Sleeve: Carbon Fiber Endcap |
|------------|--|

- This product is designed for use in closed course racing and is not intended for highway use. In the state of California, it is illegal to modify the emission control system, which includes the fuel injection of any vehicle.*
- You must know how to remove and replace your stock exhaust in order to install this product otherwise have it installed by a professional mechanic. Keep all stock parts from your existing system as some components may be necessary to install your new Yoshimura exhaust depending on the application.*
- Read through all instructions before beginning installation. Exhaust system can be extremely hot. Let motorcycle cool down before beginning installation. Always wear hand and eye protection and take precautionary measures to avoid injury.*
- The muffler packing on this system **MUST** be replaced every 6-8 hours of use, or after each moto. Failure to follow recommended muffler re-packing interval can cause muffler damage and may void the warranty.*



| No. | Part #         | Description                      | Qty |
|-----|----------------|----------------------------------|-----|
| 1   | 22581-152      | Yoshimura Tailpipe               | 1   |
| 2   | 225812H320-RMA | Yoshimura Right Muffler Assembly | 1   |
| 3   | 225812H320-LMA | Yoshimura Left Muffler Assembly  | 1   |
| 4   | RACE-SPX-1     | Short Spring                     | 2   |
| 5   | 27-62MSH       | Exhaust Clamp                    | 1   |
| **  | ST-200         | Spring Puller Tool               | 1   |
| **  | 17029          | Yoshimura Sticker Sheet          | 1   |

**-TOOLS REQUIRED-**

*Metric Socket Set • Combination Wrench Set • Torque Wrench • Metric Allen Wrench Set*

**-REMOVAL-**

1. *Removing the number plate, side cover, and mud guard.*
  - a) **Remove the left and right number plate.**
  - b) **Remove the right side airbox cover.**
  - c) **Remove mud guard.**
2. *Removing the muffler.*
  - a) **Loosen right muffler exhaust clamp.**
  - b) **While securely supporting the right muffler, remove muffler mount bolt and carefully remove right side muffler.**
  - c) **Loosen the exhaust clamp on tailpipe.**
  - d) **Remove chassis mount bolt securing tailpipe assembly to subframe.**
  - e) **While securely supporting the left muffler, remove muffler mount bolt and carefully remove left muffler and tailpipe assembly.**
  - f) **Loosen header nuts.**

**-INSTALLATION-**

1. *Installing the muffler tailpipe assembly.*
  - a) **Carefully install Yoshimura tailpipe by sliding onto stock header.**  
**Note: See orientation of clamp on parts diagram. Clamp adjustment bolt must be on the bottom of tailpipe for proper fitment.**
  - b) **Bolt the tailpipe to chassis mount using the stock bolt and shim. Be sure to install stock shim between subframe and tailpipe chassis mount. Start threads by hand to prevent cross-threading.**
  - c) **Install left and right muffler onto midpipe outlets using stock muffler mount bolts.**
  - d) **Torque muffler mount bolts and tailpipe chassis mount bolt to 19lb-ft (26Nm, 2.6kg-m)**
  - e) **Torque header nuts to 15lb-ft (21Nm, 2.0kg-m).**
  - f) **Tighten exhaust clamp.**
  - g) **Install provided exhaust springs. See diagram for proper orientation and order of hardware.**
2. *Reinstall number plate, side cover, and mud guard.*
  - a) **Re-install right side airbox cover.**
  - b) **Re-install left and right side number plate.**  
**Note: It is recommended to secure the two rubber side panel bumpers using an appropriate adhesive (ie. glue, epoxy, rubber cement, or etc.). Failure to secure rubber bumpers may cause the plastic side panel to directly contact the muffler body and can cause muffler to fail. This type of muffler failure is not eligible for warranty claim. Periodically verify that the rubber bumpers are secure prior to riding.**
  - c) **Re-install mud guard.**
3. *Fitment check and Notes.*
  - a) **Before starting motorcycle, check for proper clearance between new exhaust system and rear suspension (i.e. tire, swing-arm, brake, rear shock, engine, and etc.) If any problem is found, please carefully follow through the installation steps again. If problem still persists, please call Yoshimura Tech Department at (800) 634-9166 / in CA (909) 628-4722.**
  - b) **It is recommended that the muffler and tailpipe be wiped down with rubbing alcohol to remove oil and fingerprints. This will help prevent tarnishing of the finish after the exhaust is heated up.**
  - c) **NOTE: After starting motorcycle, it is normal for new exhaust system and muffler to emit smoke until oil residue burns off.**