



# YOSHIMURA

RESEARCH & DEVELOPMENT OF AMERICA, INC.

5420 DANIELS STREET STE A, CHINO CA 91710 · (800)634-9166 · (909)628-4722 · FACSIMILE (909)591-2198

WWW.YOSHIMURA-RD.COM

## OFF-ROAD PERFORMANCE EXHAUST SYSTEM

**2006-2008**

**HONDA**

**CRF250R**

**2282162**

TITANIUM PRO FULL SYSTEM WITH CARBON FIBER SLEEVE

**2282167**

TITANIUM PRO FULL SYSTEM WITH TITANIUM SLEEVE



**THIS PRODUCT IS DESIGNED FOR USE IN CLOSED COURSE RACING AND IS NOT INTENDED FOR ANY OTHER USE.**



**CAUTION:** *The muffler packing on this system MUST be replaced every 6-8 hours of use, or after each moto. Failure to follow recommended muffler re-packing interval can cause muffler damage and may void the warranty.*



NOTE: IN THE STATE OF CALIFORNIA, IT IS ILLEGAL TO MODIFY THE EMISSION CONTROL SYSTEM, WHICH INCLUDES THE CARBURETORS OF ANY VEHICLE.

**Caution:** Exhaust system can be extremely hot. Let motorcycle cool down before beginning installation.

**Note:** Read through all instructions before beginning installation.

## Tools Needed:

8mm, 10mm, and 12mm Sockets  
Ratchet Wrench and Extension  
Torque Wrench  
4mm Allen Wrench  
Spring Puller Tool

## Installation Steps:

1 Remove right and left rear number plates (see Fig. 1 and Fig. 2 for fastener locations).

2 Remove stock exhaust system and exhaust port gasket.

**NOTE:** This system is designed to have the exhaust manifold bolted directly to the cylinder head without the use of the stock exhaust port gasket.

**NOTE:** For ease of installation install springs onto aluminum flange prior to installing flange and manifold.

3 Install Yoshimura exhaust manifold and flange using stock header nuts (see Fig. 3 for flange orientation). Torque header nuts to 1.0 kg-m (7.3 lb-ft).

4 Install Yoshimura header onto exhaust manifold using supplied springs (use supplied spring puller tool). Ensure header is fully seated onto exhaust manifold.

5 Install supplied rubber grommets into muffler mounting brackets. Install aluminum inserts into rubber grommets (ensure shoulder of inserts face toward the frame, see Fig. 4).

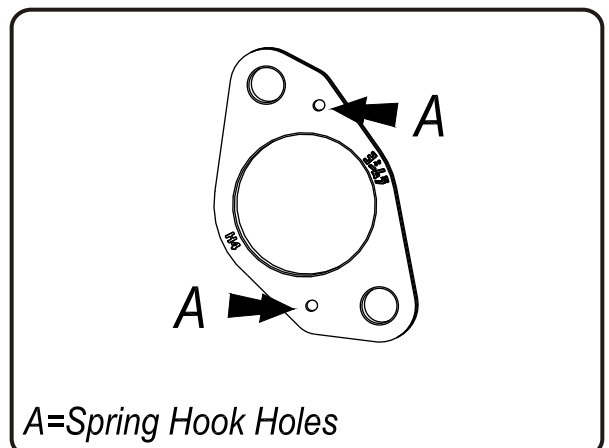
6 Install Yoshimura tailpipe and mufflers. Use the stock chassis mount bolt in the stock chassis mount location. Use one of the supplied 35mm bolts and one of the supplied washers to mount each muffler to the stock muffler mount locations (leave loose).



Fig. 1



Fig. 2



A=Spring Hook Holes

Fig. 3

- 7 Check exhaust for proper position and clearance and adjust if necessary.
- 8 Torque muffler mount bolts to 2.5 kg-m (18 lb-ft).
- 9 Torque chassis mount bolt to 2.5 kg-m (18 lb-ft).
- 10 It is recommended that the muffler and tailpipe be wiped down with rubbing alcohol to remove oil and fingerprints. This will help prevent tarnishing of the finish after the exhaust is heated up.
- 11 Before starting motorcycle, check for proper clearance between new exhaust system and rear suspension (i.e. tire, swing-arm, brake, rear shock etc). If any problem is found, please carefully follow through the installation steps again. If problem still persists, please call Yoshimura tech department at (800) 634-9166 / in CA (909) 628-4722.
- 12 Reinstall number plates.

**NOTE:** After starting motorcycle, it is normal for new exhaust system and muffler to emit smoke until oil residue burns off.

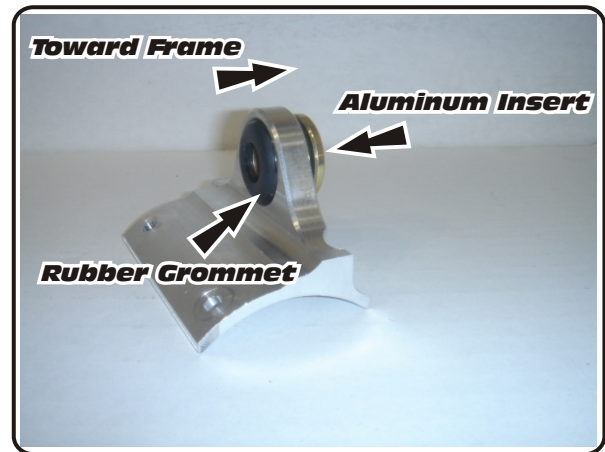
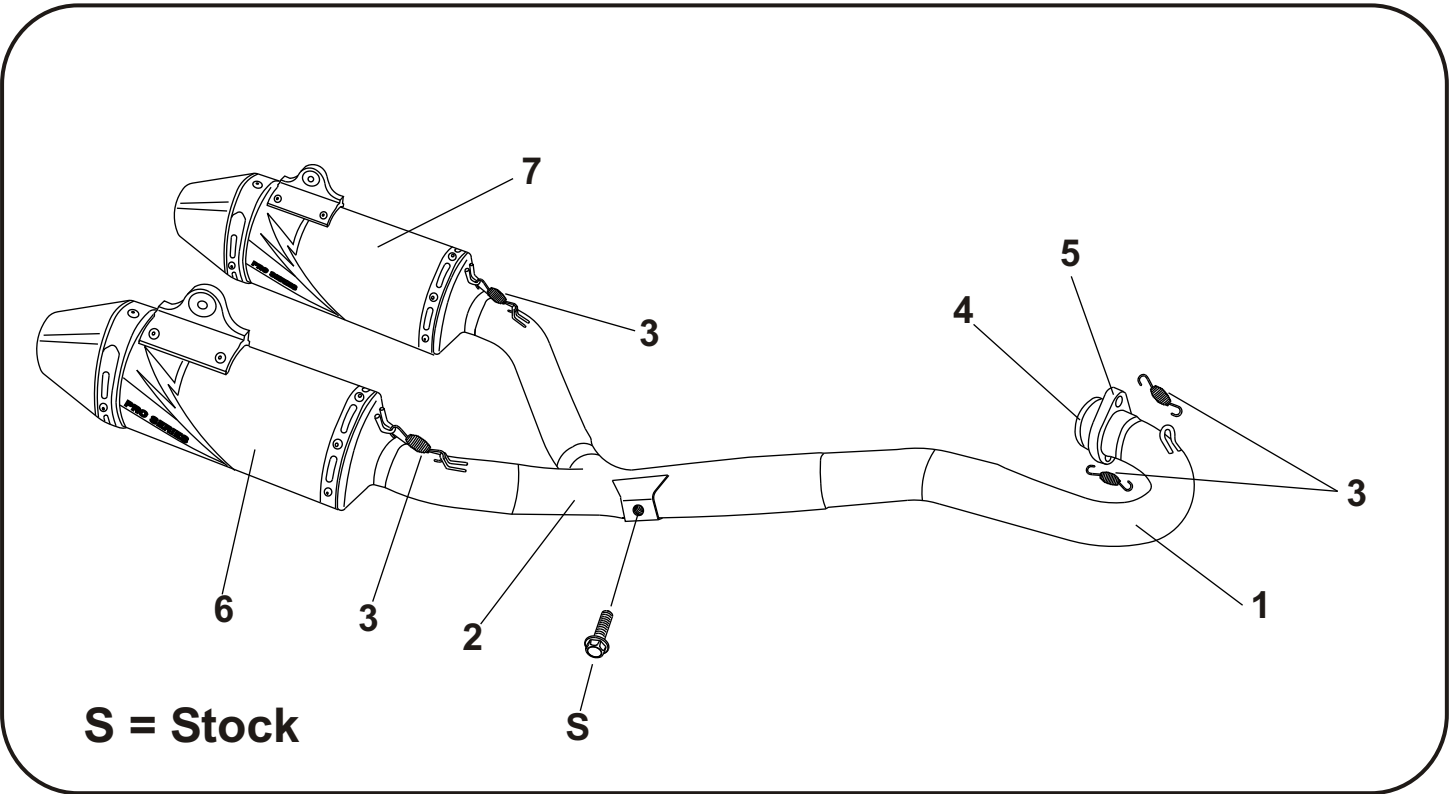


Fig. 4

**#2282162 / 2282167**



**S = Stock**

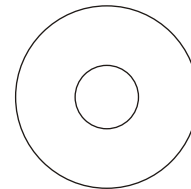
Parts Diagram

NO.	DESCRIPTION	QTY	PART #
1	Yoshimura Titanium Pro Header	1	2282-704
2	Yoshimura Titanium Pro Tailpipe	1	2282-744
3	Small Exhaust Spring	4	RACE-SPX-1
4	Stainless Steel Exhaust Manifold	1	2380SDM
5	Aluminum Manifold Flange	1	2280ADR-H5TI
6	Yoshimura Race Muffler (Right Side) with Carbon Fiber Sleeve with Titanium Sleeve	1	2282162-RMA 2282167-RMA
7	Yoshimura Race Muffler (Left Side) with Carbon Fiber Sleeve with Titanium Sleeve	1	2282162-LMA 2282167-LMA
**	8mm X 35mm Flange Bolt	2	M8X35H
**	8mm Large Washer	2	8MMWASHERL
**	Spring Puller Tool	1	ST-200
**	Rubber Grommet	2	Z1021
**	Aluminum Insert for Rubber Grommet	2	ALS-003
**	Yoshimura Vinyl Sticker	2	17028-BLK

**Nuts and Bolts Guide (Actual Size):**



8mm x 35mm  
Flange Hex Bolt



8mm Large Flat Washer