



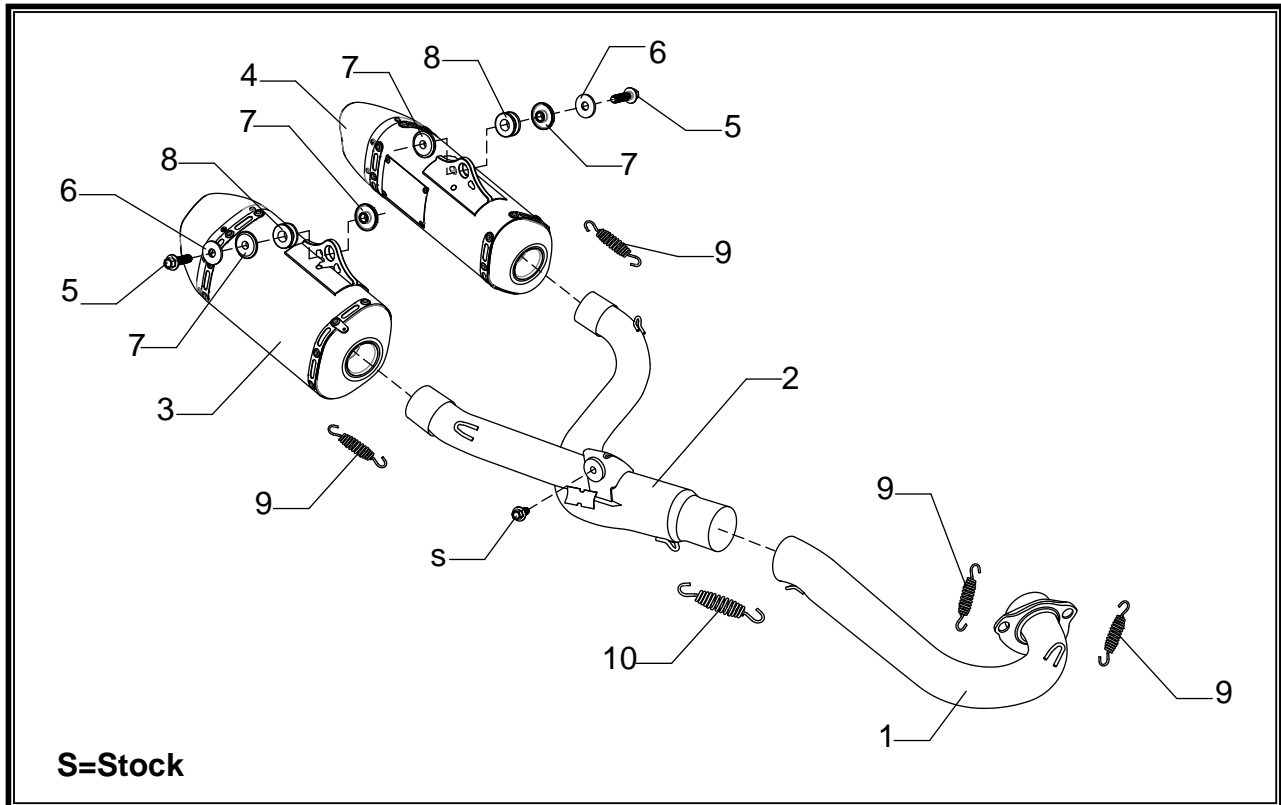
SIGNATURE SERIES

Qualified Manufacturer Declared "Replacement Part"

APPLICATION

YEAR	MODEL
2014-2017	Honda CRF250R
PRODUCT	
228421H220	RS9 Ti Full-System Exhaust with Carbon Fiber Sleeve; Carbon Fiber Endcap
228421H720	RS9 Ti Full-System Exhaust with Titanium Sleeve; Carbon Fiber Endcap

	In the state of California, it is illegal to modify the emission control system, which includes the fuel injection of any vehicle.
	You must know how to remove and replace your stock exhaust in order to install this product otherwise have it installed by a professional mechanic. Keep all stock parts from your existing system as some components may be necessary to install your new Yoshimura exhaust depending on the application.
	Read through all instructions before beginning installation. Exhaust system can be extremely hot. Let motorcycle cool down before beginning installation. Always wear hand and eye protection and take precautionary measures to avoid injury.
	The muffler packing on this system MUST be replaced every 6-8 hours of use, or after each moto. Failure to follow recommended muffler re-packing interval can cause muffler damage and may void the warranty.



No.	Part #	Description	Qty
1	22842-704F	Yoshimura Ti Header	1
2	22842-744	Yoshimura Ti Tailpipe	1
3	228421H220-RMA 228421H720-RMA	Yoshimura Right Muffler Assembly Carbon Fiber Sleeve Titanium Sleeve	1
4	228421H220-LMA 228421H720-LMA	Yoshimura Left Muffler Assembly Carbon Fiber Sleeve Titanium Sleeve	1
5	M8X35H	8mm x 35mm Flanged Hex Head Bolt	2
6	8MMWASHERL	8mm Large Washer	2
7	ALS-043	Aluminum Spacer	4
8	Z1023	Rubber Grommet	2
9	RACE-SPX-1	Short Exhaust Spring	4
10	RACE-SPS-1	Medium Exhaust Spring	1
**	05747076	3mm Short Arm Hex L-Key	1
**	ST-200	Spring Puller Tool	1
**	17029	Yoshimura Sticker Sheet	1

-TOOLS REQUIRED-

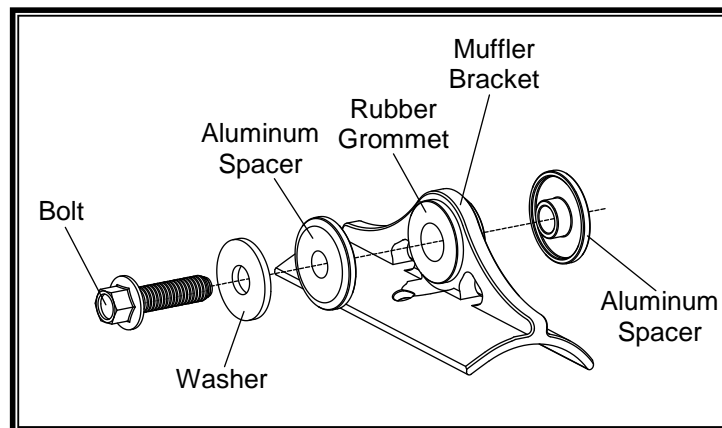
Metric Socket Set • Combination Wrench Set • Torque Wrench • Metric Allen Wrench Set

-REMOVAL-

1. Removing the number plate, side cover, and mud guard.
 - a) Remove the left and right number plate.
 - b) Remove the left and right side airbox covers.
 - c) Remove mud guard.
2. Removing the stock exhaust system.
 - a) Loosen left muffler exhaust clamp.
 - b) While securely supporting the left muffler, remove muffler mount bolt and carefully remove left side muffler.
 - c) Loosen the exhaust clamp on tailpipe to header connection.
 - d) Remove chassis mount bolt securing tailpipe assembly to subframe.
 - e) While securely supporting the right muffler, remove muffler mount bolt and carefully remove right muffler and tailpipe assembly.
 - f) Remove the (2) header nuts and carefully remove stock header.

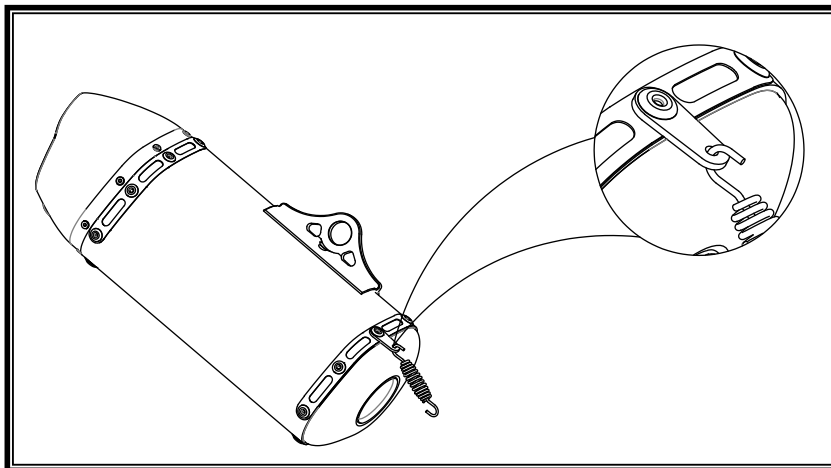
-INSTALLATION-

1. Small parts installation.
 - a) Install (Z1023) rubber grommet into left and right muffler brackets.
 - b) Install (ALS-043) aluminum spacer into (Z1023) rubber grommet as shown in the diagram.



2. Installing the Yoshimura Full-System Exhaust.
 - a) Install Yoshimura header using the stock header nuts. Do not torque at this time.
NOTE¹: Stock exhaust port gaskets will be re-used with the Yoshimura exhaust system. Inspect and replace exhaust port gasket if necessary.
NOTE²: Hook (RACE-SPX-1) exhaust springs onto flange. It may be difficult to install spring onto flange after header is installed.
 - b) Slide tailpipe onto header and bolt the tailpipe to chassis mount using the stock bolt. Start threads by hand to prevent cross-threading. Do not torque at this time.
NOTE: The stock chassis mount shim will not be used.
 - c) Install left and right muffler onto tailpipe outlets and secure using the provided (M8X35H) muffler mount bolts and (8MMWASHERL) washer. See diagram for proper orientation.
 - d) Torque muffler mount bolts and tailpipe chassis mount bolt to 19lb-ft. (26Nm, 2.6kg-m)
 - e) Torque header nuts to 15lb-ft. (21Nm, 2.0kg-m)

- f) **Install the (RACE-SPX-1) short exhaust springs onto muffler to tailpipe connection. See diagram for proper orientation and order of hardware.**
NOTE: Install spring on muffler spring hook tab from the inside out to prevent spring from rubbing on muffler front cap.



- g) **Install (RACE-SPX-1) short exhaust springs onto header flange to header.**
h) **Install (RACE-SPS-1) medium exhaust spring onto header to tailpipe connection.**

3. **Reinstall number plate, side cover, and mud guard.**

- a) **Re-install left and right side number plate.**

Note: It is recommended to secure the two rubber side panel bumpers using an appropriate adhesive (ie. glue, epoxy, rubber cement, or etc.). Failure to secure rubber bumpers may cause the plastic side panel to directly contact the muffler body and can cause muffler to fail. This type of muffler failure is not eligible for warranty claim. Periodically verify that the rubber bumpers are secure prior to riding.

- b) **Re-install left and right side airbox covers.**

- c) **Re-install mud guard.**

4. **Fitment check and Notes.**

- a) **Before starting motorcycle, check for proper clearance between new exhaust system and rear suspension (i.e. tire, swing-arm, brake, rear shock, engine, and etc.) If any problem is found, please carefully follow through the installation steps again. If problem still persists, please call Yoshimura Tech Department at (800) 634-9166 / in CA (909) 628-4722.**
- b) **It is recommended that the muffler and tailpipe be wiped down with rubbing alcohol to remove oil and fingerprints. This will help prevent tarnishing of the finish after the exhaust is heated up.**
- c) **NOTE: After starting motorcycle, it is normal for new exhaust system and muffler to emit smoke until oil residue burns off.**