



PERFORMANCE EXHAUST SYSTEM

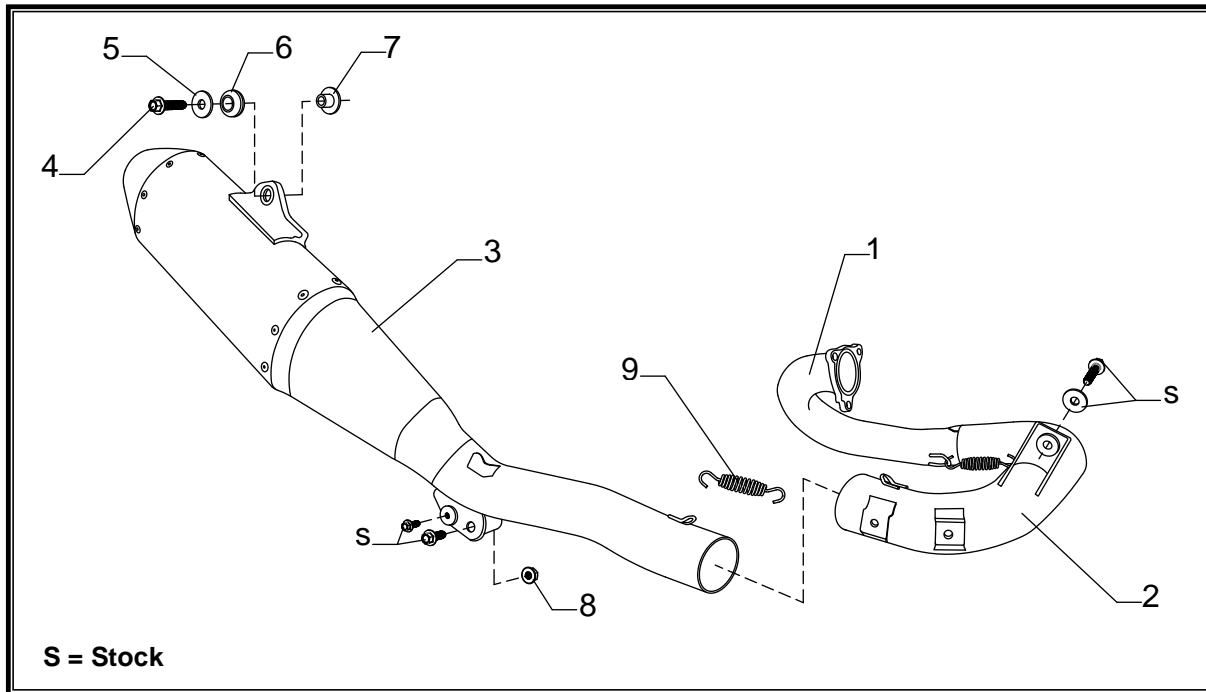
APPLICATION

MAKE	MODEL
Yamaha	YZ450F

PRODUCT

234810D320	RS4 SS Full-System Exhaust System with Aluminum Sleeve; Carbon Fiber Endcap
------------	---

- This product is designed for use in closed course racing and is not intended for highway use. In the state of California, it is illegal to modify the emission control system, which includes the fuel injection of any vehicle.
- You must know how to remove and replace your stock exhaust in order to install this product otherwise have it installed by a professional mechanic. Keep all stock parts from your existing system as some components may be necessary to install your new Yoshimura exhaust depending on the application.
- Read through all instructions before beginning installation. Exhaust system can be extremely hot. Let motorcycle cool down before beginning installation. Always wear hand and eye protection and take precautionary measures to avoid injury.



No.	Part #	Description	Qty
1	23481-101	Yoshimura SS Header	1
2	23481-140	Yoshimura SS Midpipe	1
3	234812D320-RMA	Yoshimura Muffler Assembly	1
4	M8X35H	8mm x 35mm Flanged Hex Head Bolt	1
5	8MMWASHERL	8mm Large Washer	1
6	Z1022	Rubber Grommet	1
7	ALS-003	Aluminum Spacer	1
8	8MMNUT	8mm Flange Nut	1
9	RACE-SPS-1	Medium Exhaust Spring	2
**	ALFOILHS-8X10	8"x10" Aluminum Heat Shield Foil	1
**	INS-14-K (Installed)	Low Volume Sound Insert (1.50")	1
**	INS-16-K	Low Volume Sound Insert (1.375")	1
**	ST-200	Spring Puller Tool	1
**	347PLUG	Muffler Wash Plug	1
**	17029	Yoshimura Sticker Sheet	1

-TOOLS REQUIRED-

Metric Socket Set • Combination Wrench Set • Torque Wrench • Metric Allen Wrench Set

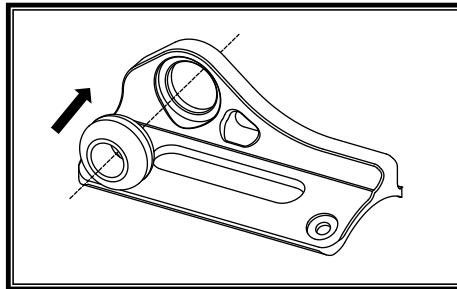
-REMOVAL-

- 1. Remove right side panel by removing the (3) side panel bolts.**
- 2. Loosen exhaust clamp at muffler to midpipe connection.**
- 3. Remove forward muffler chassis mount bolt.**
- 4. While securely supporting the stock muffler assembly, remove rear muffler mount bolt and carefully remove muffler from midpipe.**
- 5. Loosen exhaust clamp at midpipe to header connection.**
- 6. Remove midpipe support bracket bolt and carefully remove midpipe from header.**
- 7. Remove the (3) header nuts and carefully remove the stock header.**

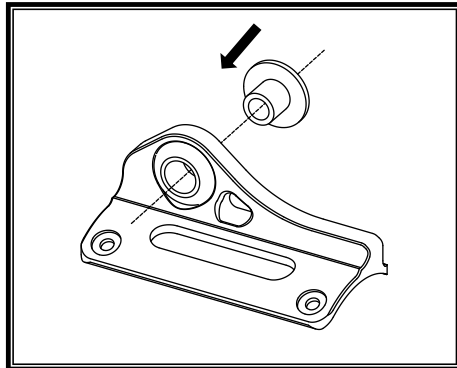
Note: The stock header gasket will be re-used with the Yoshimura full-system. Inspect and replace if necessary.

-INSTALLATION-

- 1. Install (Z1022) rubber grommet into Yoshimura muffler bracket.**



- 2. Insert (ALS-003) aluminum spacer into (Z1022) rubber grommet.**



- 3. Install (23481-101) header using the stock exhaust gasket and stock header nuts. Do not torque at this time.**

4. **Carefully install (23481-140) midpipe by maneuvering between the frame and motor and slide midpipe inlet over header. Secure midpipe to midpipe support bracket using the stock bolt. Do not torque at this time.**
5. **Install Yoshimura muffler assembly over midpipe.**
6. **Using the provided (M8X35H) bolt and (8MMWASHERL) washer, secure Yoshimura muffler assembly to rear muffler mount. Do not torque at this time.**
7. **Secure Yoshimura forward muffler chassis mount to chassis using the stock bolt and provided 8mm nut. Do not torque at this time.**

Note: If necessary, loosen left and right subframe bolts to align forward muffler chassis mount. Torque subframe bolts to factory specification.

8. **Torque rear muffler mount bolt to factory specification.**
9. **Torque forward muffler chassis mount bolt to factory specification.**
10. **Install (RACE-SPS-1) exhaust spring between tailpipe and midpipe.**
11. **Torque midpipe support bracket bolt to factory specification.**
12. **Install (RACE-SPS-1) exhaust spring between header and midpipe connection.**
13. **Torque header nuts to factory specification.**
14. **Remove the stock midpipe heatshield and install onto Yoshimura midpipe using the stock heatshield bolts.**
15. **Cut out provided heat shield template along the solid line.**
16. **Using a marker, trace the paper template onto the provided 8x10 adhesive foil sheet.**

Note: When tracing paper template onto foil sheet, be sure both templates fit on the 8x10 adhesive foil sheet before cutting.

17. **Cut out heat shield foil.**
18. **Clean number plate thoroughly with soap and water where heat shield foil will be applied.**
19. **Remove adhesive backing from foil heat shield and apply to number plate.**

Note: Be sure number plate is dry and clean prior to applying heat shield foil. Debris may hinder the foil from adhering to surface.

20. **Re-install right side panel.**
21. **Before starting motorcycle, check for proper clearance between new exhaust system and rear suspension (i.e. tire, swing-arm, brake, rear shock, engine, and etc.) If any problem is found, please carefully follow through the installation steps again. If problem still persists, please call Yoshimura Tech Department at (800) 634-9166 / in CA (909) 628-4722.**
22. **It is recommended that the muffler and tailpipe be wiped down with rubbing alcohol to remove oil and fingerprints. This will help prevent tarnishing of the finish after the exhaust is heated up.**

Note: After starting motorcycle, it is normal for new exhaust system and muffler to emit smoke until oil residue burns off.

