






# PERFORMANCE EXHAUST SYSTEM

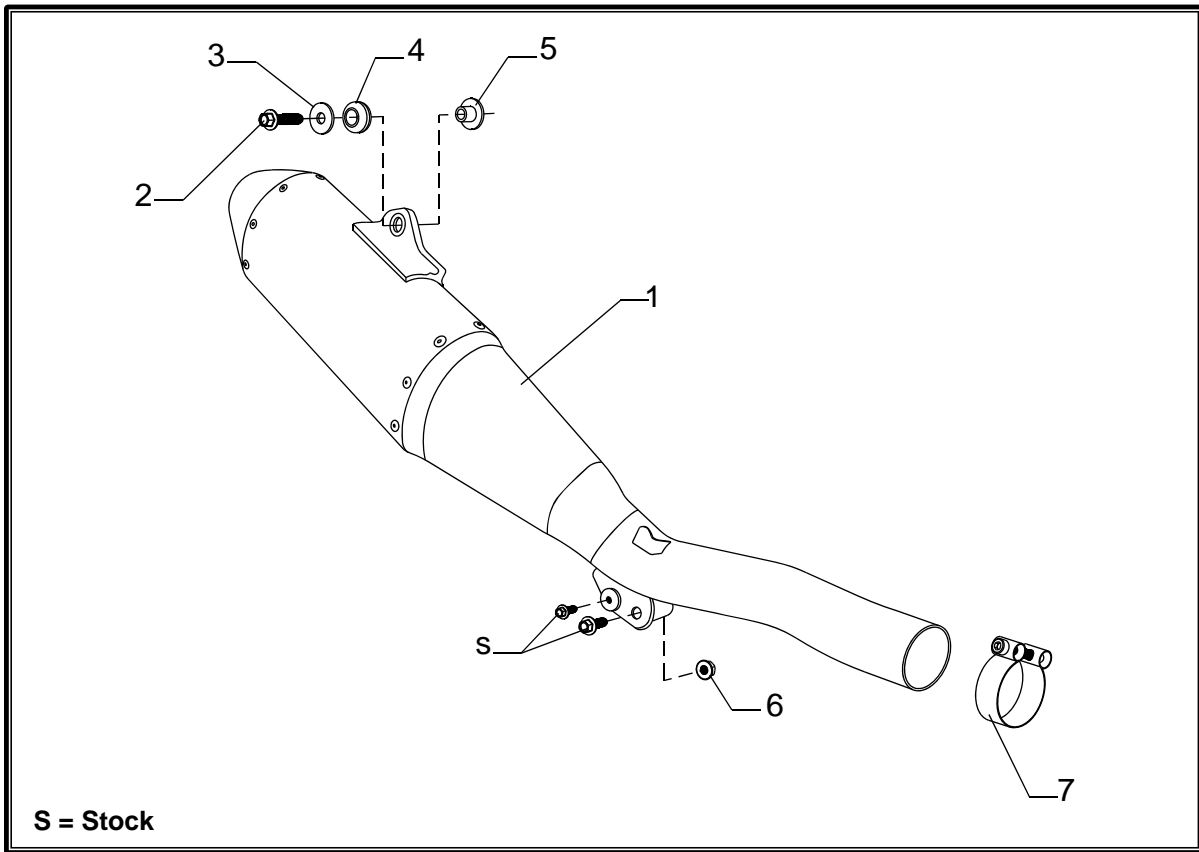
**APPLICATION**

|        |        |
|--------|--------|
| MAKE   | MODEL  |
| Yamaha | YZ450F |

**PRODUCT**

|            |   |
|------------|---|
| 234812D320 | RS4 SS Slip-On Exhaust System with Aluminum Sleeve; Carbon Fiber Endcap |
|------------|---|

- 
 This product is designed for use in closed course racing and is not intended for highway use. In the state of California, it is illegal to modify the emission control system, which includes the fuel injection of any vehicle.
- 
 You must know how to remove and replace your stock exhaust in order to install this product otherwise have it installed by a professional mechanic. Keep all stock parts from your existing system as some components may be necessary to install your new Yoshimura exhaust depending on the application.
- 
 Read through all instructions before beginning installation. Exhaust system can be extremely hot. Let motorcycle cool down before beginning installation. Always wear hand and eye protection and take precautionary measures to avoid injury.



| No. | Part #               | Description                      | Qty |
|-----|----------------------|----------------------------------|-----|
| 1   | 234812D320-RMA       | Yoshimura Muffler Assembly       | 1   |
| 2   | M8X35H               | 8mm x 35mm Flanged Hex Bolt      | 1   |
| 3   | 8MMWASHERL           | 8mm Large Washer                 | 1   |
| 4   | Z1022                | Rubber Grommet                   | 1   |
| 5   | ALS-003              | Aluminum Spacer                  | 1   |
| 6   | 8MMNUT               | 8mm Flange Nut                   | 1   |
| 7   | 27-62MSH             | Exhaust Clamp                    | 1   |
| **  | ALFOILHS-8X10        | 8"x10" Aluminum Heat Shield Foil | 1   |
| **  | INS-14-K (Installed) | Low Volume Sound Insert (1.50")  | 1   |
| **  | INS-16-K             | Low Volume Sound Insert (1.375") | 1   |
| **  | 347PLUG              | Muffler Wash Plug                | 1   |
| **  | 17029                | Yoshimura Sticker Sheet          | 1   |

**-TOOLS REQUIRED-**

*Metric Socket Set • Combination Wrench Set • Torque Wrench • Metric Allen Wrench Set*

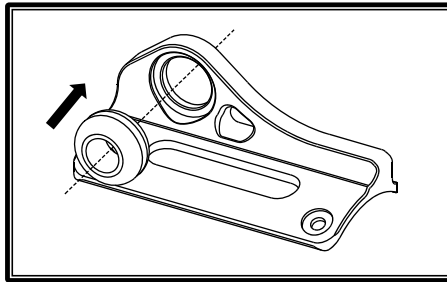
**-REMOVAL-**

- 1. Remove right side panel by removing the (3) side panel bolts.**
- 2. Loosen exhaust clamp at muffler to midpipe connection.**
- 3. Remove forward muffler chassis mount bolt.**
- 4. While securely supporting the stock muffler assembly, remove rear muffler mount bolt and carefully remove muffler from midpipe.**

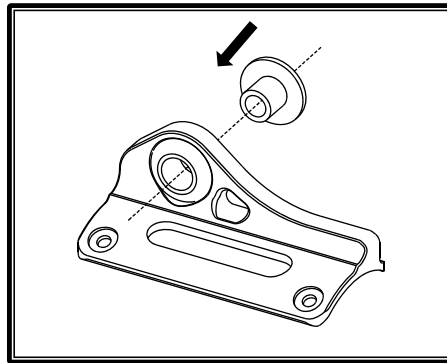
**Note: Stock exhaust gasket will not be used with the Yoshimura slip-on exhaust system.**

**-INSTALLATION-**

- 1. Install (Z1022) rubber grommet into Yoshimura muffler bracket.**



- 2. Insert (ALS-003) aluminum spacer into (Z1022) rubber grommet.**



- 3. Slide provided (27-62MSH) exhaust clamp over Yoshimura tailpipe inlet.**
- 4. Install Yoshimura muffler assembly over stock midpipe.**
- 5. Using the provided (M8X35H) bolt and (8MMWASHERL) washer, secure Yoshimura muffler assembly to rear muffler mount. Do not torque at this time.**

6. **Secure Yoshimura forward muffler chassis mount to chassis using the stock bolt and provided 8mm nut. Do not torque at this time.**

**Note: If necessary, loosen left and right subframe bolts to align forward muffler chassis mount. Torque subframe bolts to factory specification.**

7. **Torque rear muffler mount bolt to factory specification.**
8. **Torque forward muffler chassis mount bolts to factory specification.**
9. **Torque exhaust clamp to 8.5Nm. (0.86 kg-m, 6 ft-lb)**

10. **Cut out provided heat shield template along the solid line.**

11. **Using a marker, trace the paper template onto the provided 8x10 adhesive foil sheet.**

**Note: When tracing paper template onto foil sheet, be sure both templates fit on the 8x10 adhesive foil sheet before cutting.**

12. **Cut out heat shield foil.**
13. **Clean number plate thoroughly with soap and water where heat shield foil will be applied.**
14. **Remove adhesive backing from foil heat shield and apply to number plate.**

**Note: Be sure number plate is dry and clean prior to applying heat shield foil. Debris may hinder the foil from adhering to surface.**

15. **Re-install right side panel.**

16. **Before starting motorcycle, check for proper clearance between new exhaust system and rear suspension (i.e. tire, swing-arm, brake, rear shock, engine, and etc.) If any problem is found, please carefully follow through the installation steps again. If problem still persists, please call Yoshimura Tech Department at (800) 634-9166 / in CA (909) 628-4722.**

17. **It is recommended that the muffler and tailpipe be wiped down with rubbing alcohol to remove oil and fingerprints. This will help prevent tarnishing of the finish after the exhaust is heated up.**

**Note: After starting motorcycle, it is normal for new exhaust system and muffler to emit smoke until oil residue burns off.**



