

YOSHIMURA

RESEARCH&DEVELOPMENT OF AMERICA, INC.

5420 DANIELS STREET STE A, CHINO CA 91710 · (800) 634-9166 · (909) 628-4722 · FAX (909) 591-2198

WWW.YOSHIMURA-RD.COM

Signature Series

Qualified Manufacturer Declared "Replacement Part"

2010-2016

Kawasaki KX250F

242901D220 (CF/CF)

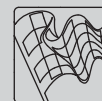
242901D720 (Ti/CF)

RS-4 Titanium Full-System



Signature Series systems are:

- CARB/EPA tail-pipe emissions compliant.
- Marked with appropriate EPA noise labels.
- Independent laboratory tested for EPA new vehicle noise compliance.



CAUTION: The muffler packing on this system **MUST** be replaced every 6-8 hours of use, or every 1-2 motos. Failure to follow recommended muffler re-packing interval can cause muffler damage and may void the warranty.



NOTE: IN THE STATE OF CALIFORNIA, IT IS ILLEGAL TO MODIFY THE EMISSION CONTROL SYSTEM, WHICH INCLUDES THE FUEL INJECTION OF ANY VEHICLE.

Caution: Exhaust system can be extremely hot. Let motorcycle cool down before beginning installation. Always wear hand and eye protection and take precautionary measures to avoid injury.
Note: Read through all instructions before beginning installation.

Tools Needed:

- Metric Socket Set
- Ratchet Wrench and Extension
- Torque Wrench
- Spring Puller Tool

Installation Steps:

1. Remove stock exhaust system.
 - a. Remove right rear number plate (see Fig. 1).
 - b. Loosen exhaust clamp and slide forward onto header. (See Fig. 2).
 - c. Remove muffler mounting bolts and remove muffler. (See Fig. 2)
 - d. Remove exhaust clamp from header.
 - e. Remove header nuts and remove header.
2. Install Yoshimura exhaust system
 - a. Inspect header manifold gasket. If damaged, replace with new gasket PN: 11061-0027.
 - b. Install manifold and flange using stock nuts. Do not torque at this time. Leave loose to ease header fitment.
Note: Install exhaust springs onto flange before installation onto exhaust port to ease installation.
 - c. Install Yoshimura header in exhaust manifold. Install springs onto header using the supplied spring puller tool.
 - d. Insert rubber grommet into muffler mounting bracket.
 - e. Insert aluminum spacer into rubber grommet.
Note: Aluminum spacer is to rest between muffler and subframe. (See Fig. 3)
 - f. Insert muffler/tailpipe assembly onto header outlet.
Note: Yoshimura system does not retain stock gasket or exhaust clamp.



Fig. 1



Fig. 2

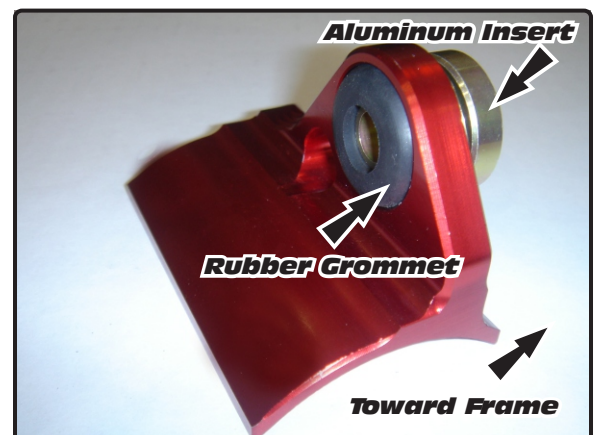


Fig. 3

- g. Install Yoshimura Muffler using stock muffler mounting bolt and supplied washer. Orientation is as follows: Bolt, Washer, Rubber Grommet (Inside of muffler bracket), Aluminum Spacer, Subframe. Do not torque at this time.*
 - h. Install Yoshimura Tailpipe using supplied bolt into tailpipe mounting bracket. Do not torque at this time.*
 - i. Install exhaust spring from tailpipe to header and from muffler to tailpipe.*
 - j. Torque header flange nuts to 16.5 lb-ft (23 N-m).*
 - k. Torque tailpipe mounting bolt to 16.5 lb-ft (23 N-m).*
 - l. Torque muffler mounting bolt to 16.5 lb-ft (23 N-m).*
- 3. It is recommended that the muffler and tailpipe be wiped down with rubbing alcohol to remove oil and fingerprints. This will help prevent tarnishing of the finish after the exhaust is heated up.*
- 4. Before starting motorcycle, check for proper clearance between new exhaust system and rear suspension (i.e. tire, swingarm, brake, rear shock, etc). If any problem is found, please carefully repeat through the installation steps. If problem still persists, please call Yoshimura tech department at (800) 634-9166 / in CA (909) 628-4722.*
- 5. Reinstall number plate using reverse steps of removal. Some trimming of the number plate may be necessary if it is hitting the muffler sleeve.*

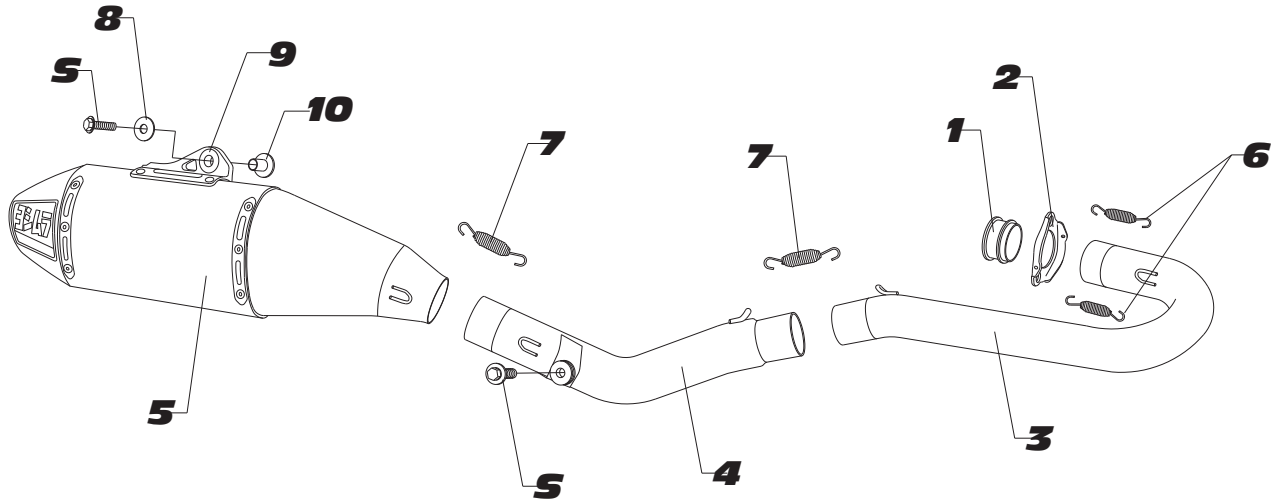
NOTE: *After starting motorcycle, it is normal for new exhaust system and muffler to emit smoke until oil residue burns off.*

Fuel Injection Mapping:

For closed course competition use only, fuel injection mapping is recommended to extract the most performance out of the Yoshimura system.

Note: It is illegal to modify the fuel injection system of any vehicle in the state of California for on- or off-highway use.

PN: 242901D(220,720)



S = Stock

Parts Diagram

NO.	DESCRIPTION	QTY	PART #
1	Yoshimura Header Manifold	1	2310SDM
2	Yoshimura Header Flange	1	2183-SDR
3	Yoshimura Titanium Header	1	24290-704
4	Yoshimura Titanium Tailpipe	1	2428-744-00
5	Yoshimura RS4 Muffler w/ Carbon Fiber Sleeve Yoshimura RS4 Muffler w/ Titanium Sleeve	1	242901D220-RMA 242901D720-RMA
6	Muffler Spring, Small	2	RACE-SPX-1
7	Muffler Spring, Medium	2	RACE-SPS-1
8	8mm Flat Washer, Large	1	8MMWASHERL
9	Muffler Bracket Rubber Grommet	1	Z1022
10	Aluminum Insert	1	ALS-002
**	Yoshimura Vinyl Sticker	1	17029
**	Muffler Washer Plug	1	347PLUG
**	Instruction Manual	1	INST KIT
**	Muffler Spring Tool	1	ST-200