



YOSHIMURA

RESEARCH&DEVELOPMENT OF AMERICA, INC.

5420 DANIELS STREET STE A, CHINO CA., 91786 · (800)634-9166 · (909)628-4722 · FACSIMILE (909)591-2198

www.yoshimura-rd.com

RS-3 OVAL PERFORMANCE EXHAUST SYSTEM

KTM
2001
520SX

2520600-SA

COMPETITION SLIP-ON SYSTEM



NOTE: IN THE STATE OF CALIFORNIA, IT IS ILLEGAL TO MODIFY THE EMISSION CONTROL SYSTEM. WHICH INCLUDES THE CARBURETORS OF ANY VEHICLE.

Caution: Exhaust system can be extremely hot. Let motorcycle cool down before beginning installation.

Note: Read through all instructions before beginning installation.

Tools Needed:

8mm and 12mm Sockets
12mm Wrench
3/8" Ratchet and Extension
Torque Wrench
8.5mm Drill Bit
Drill
Safety Goggles

Installation Steps:

- 1 Remove right rear number plate.
- 2 Remove stock muffler and tailpipe.
- 3 Remove muffler bolt mounting clips from sub-frame.
- 4 Resize mounting holes to 8.5mm.
(See Fig.1)
- 5 Apply heat insulator to inside of muffler clamps and slide clamps onto muffler.
NOTE: Long ear clamp must go on the front of the muffler, short ear clamp on rear of muffler
(See Fig's 3 & 4)
- 6 Install Yoshimura Slip-on onto stock header, install supplied 1.5" springs (See Fig. 2).
- 7 Mount muffler clamps to chassis using supplied bolts, washers, nuts and spacers — front long ear muffler clamp uses supplied 30mm bolt, rear short ear clamp uses supplied 40mm bolt and additional spacer. (See Fig. 2, 3 & 4)
- 8 Check muffler for proper alignment (See Fig. 5). Once muffler is correctly aligned torque muffler clamp bolts to 2.5 kg-m (18 lb-ft).
- 9 It is recommended that the entire exhaust system be wiped down with rubbing alcohol to remove oil and fingerprints. This will help prevent tarnishing of the finish after the exhaust is heated up.



Fig. 1



Fig. 2

Installation Steps (continued):

10 Before starting motorcycle check for proper clearance between new exhaust system and rear suspension (i.e. rear brake, frame, shock spring, etc). If any problem is found, please carefully follow through the installation steps again. If problem still persists, please call Yoshimura tech. Dept. at (800)634-9166 / in CA (909) 628-4722

11 Reinstall number plate.

NOTE: After starting motorcycle it is normal for new exhaust system and muffler to emit smoke until oil residue burns off.

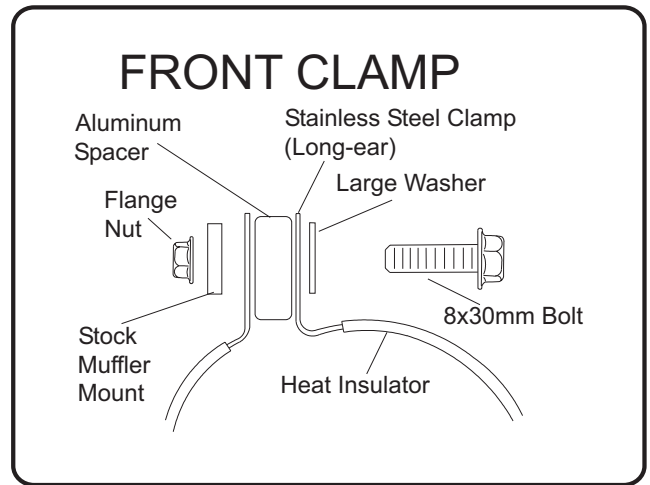


Fig. 3

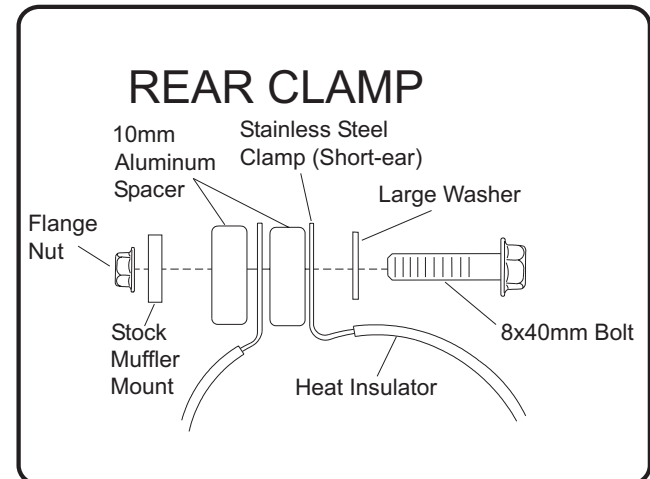


Fig. 4

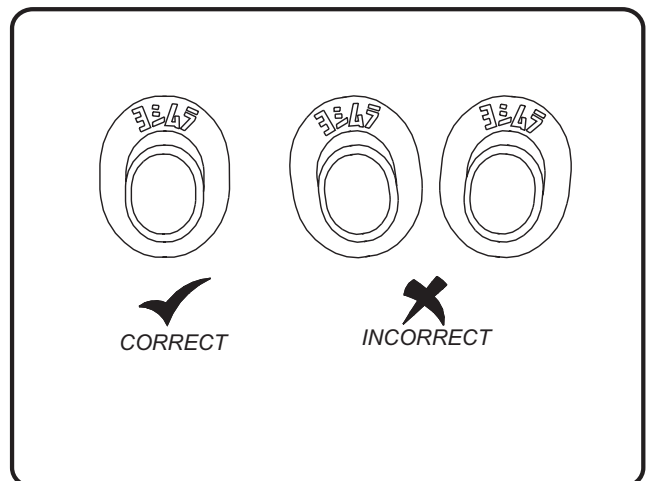
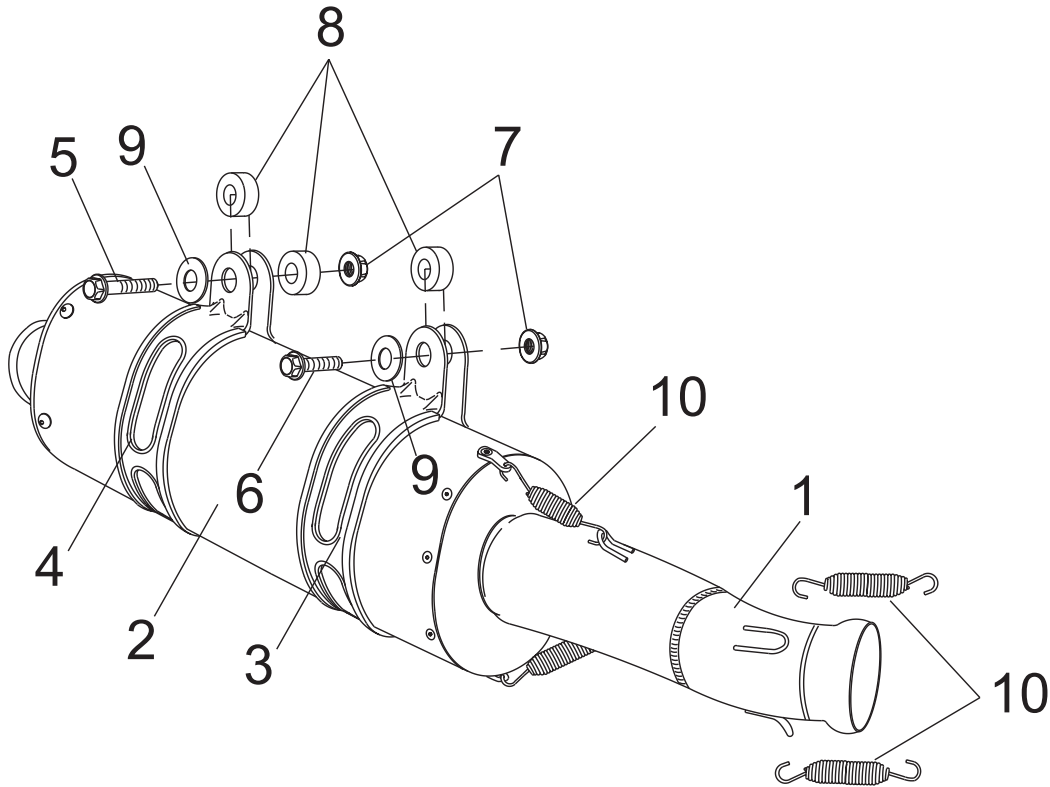


Fig. 5

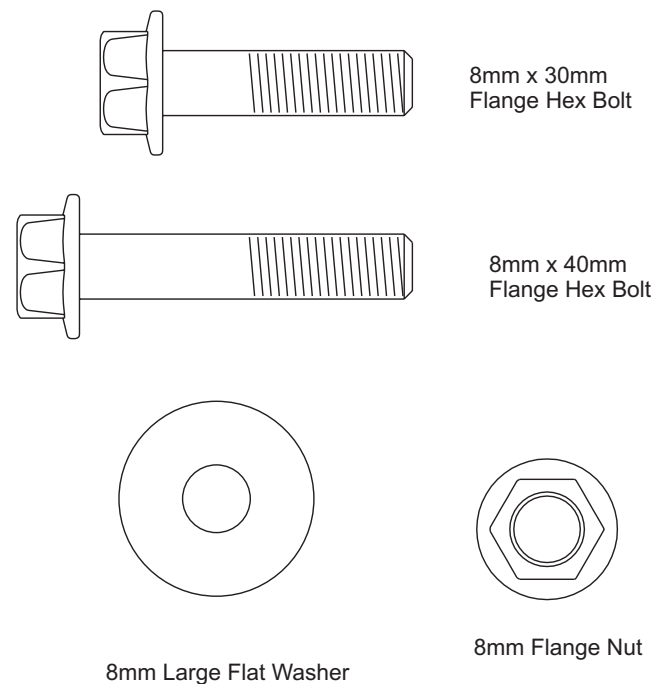
#2520600-SA



Parts Diagram

NO.	DESCRIPTION	QTY	PART #
1	Yoshimura Tail-pipe Stainless Steel Competition	1	2520-142
2	YRD RS-3 Muffler Assembly	1	**
3	Stainless Steel Muffer Clamp (Long Ear)	1	COS400S8ALX
4	Stainless Steel Muffer Clamp (Short Ear)	1	COS400S8ASF
5	Flange Bolt (8mm x 40mm)	1	M8X40H
6	Flange Bolt (8mm x 30mm)	1	M8X30H
7	Aluminum Spacer	3	8X10SPC
8	Flange Nut	2	8MMNUT
9	Large Washer	2	8MMWASHERL
10	1.5" Exhaust Spring	4	RACE-SPX
**	Muffler Clamp Heat Insulator	2	HT SHLD-14B
**	Spring Puller Tool	1	ST-100
**	Yoshimura Vinyl Sticker	2	17028

Nuts and Bolts Guide (Actual Size):



OPTIONAL ACCESSORIES			
NO.	DESCRIPTION	QTY	PART #
1	TEC Tunable Insert Kit (Includes Medium & Low Sound Spark Arrested Inserts)	1	TEC-KIT