



YOSHIMURA

RESEARCH&DEVELOPMENT OF AMERICA, INC.

5420 DANIELS STREET STE A, CHINO CA. 91710 · (800)634-9166 · (909)628-4722 · FACSIMILE (909)591-2198

www.yoshimura-rd.com

OFF-ROAD PERFORMANCE EXHAUST SYSTEM

Can-Am
Commander 1000
Commander 800

SPARK ARRESTED

390502G501 STAINLESS STEEL SLIP-ON SYSTEM WITH RS8 STAINLESS SLEEVE



THIS PRODUCT IS DESIGNED FOR USE IN CLOSED COURSE RACING AND IS NOT INTENDED FOR ANY OTHER USE.



NOTE: IN THE STATE OF CALIFORNIA, IT IS ILLEGAL TO MODIFY THE EMISSION CONTROL SYSTEM, WHICH INCLUDES THE FUEL INJECTION OF ANY VEHICLE.

Caution: Exhaust system can be extremely hot. Let vehicle cool down before beginning installation. Always wear hand and eye protection and take precautionary measures to avoid injury.

Note: Read through all instructions before beginning installation.

Tools Needed:

- Metric Socket Set
- Ratchet Wrench and Extension
- Spring Puller Tool

Installation Steps:

1. Stock exhaust removal.
 - a. Remove rear exhaust cover panel by removing 4 bolts (2 above and 2 below) as indicated in Figure 1.
 - b. Remove stock exhaust springs securing muffler to tailpipe as indicated in Figure 1.

Note: Keep stock exhaust springs as some will be used with the Yoshimura exhaust system. Keep stock exhaust gaskets as they will also be reused. If damaged, please acquire new gaskets from your local Can-Am dealer.

- c. Remove two bolts mounting muffler to frame and remove stock muffler assembly.

Note: There are two pins underneath the muffler holding the muffler in place also via two rubber grommets. Please remove these grommets upon removal of the stock exhaust as they will not be used with the Yoshimura exhaust system.

2. Yoshimura exhaust installation.
 - a. Install Yoshimura muffler assembly using stock exhaust gasket and supplied hardware as indicated on parts diagram page. Note order of hardware as follows: bolt, frame mount, washer, grommet and spacer, muffler bracket, grommet, washer, nut.

Torque bolts to 16.5 ft-lbs (23.0 N-m).

3. Before starting vehicle, check for proper clearance between new exhaust system and rear suspension (i.e. tire, suspension, brake, etc). If any problem is found, please carefully follow through the installation steps again. If problem still persists, please call Yoshimura Tech Department at (800) 634-9166 / in CA (909) 628-4722.

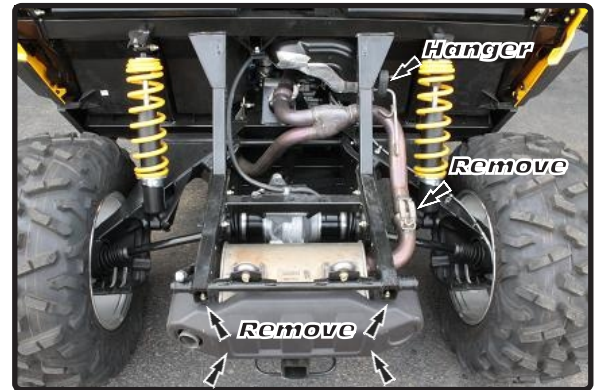


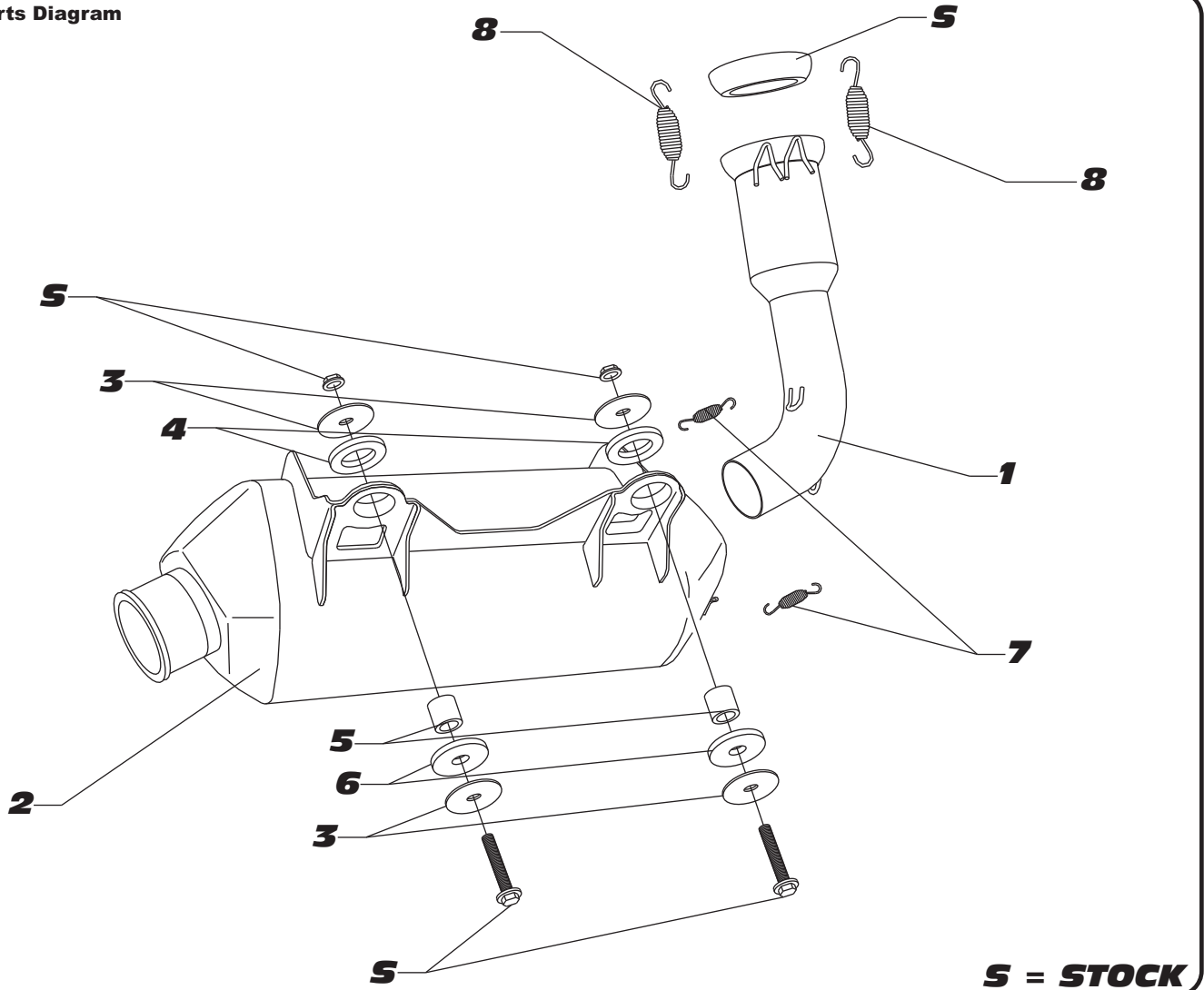
Fig. 1

It is recommended that the muffler and tailpipe be wiped down with rubbing alcohol to remove oil and fingerprints. This will help prevent tarnishing of the finish after the exhaust is heated up.

NOTE: After starting vehicle, it is normal for new exhaust system and muffler to emit smoke until oil residue burns off.

#390502G501

Parts Diagram



NO.	DESCRIPTION	QTY	PART #
1	Yoshimura Tailpipe	1	39050-152
2	Yoshimura Muffler Assembly	1	390504G500-RMA
3	8mm x 38mm Flat Washer	4	8X38WSH
4	Rubber Grommet	2	Z1030
5	Grommet Spacer	2	Z1031-SP
6	Rubber Grommet	2	Z1031
7	Medium Exhaust Spring	2	RACE-SPS-1
8	Small Exhaust Spring	2	RACE-SPX-1
**	Offroad Endcap Plug	1	347PLUG
**	Spring Puller	1	ST-200
**	O2 Bung Plug	1	M18X13PLG
**	Yoshimura Vinyl Sticker	1	17029

Optional Replacement Parts:

DESCRIPTION	PART #
Muffler Repack Kit	REPACK-RS8T-P22
Spark Arrestor Replacement Kit	SA-09-K



YOSHIMURA

RESEARCH&DEVELOPMENT OF AMERICA, INC.

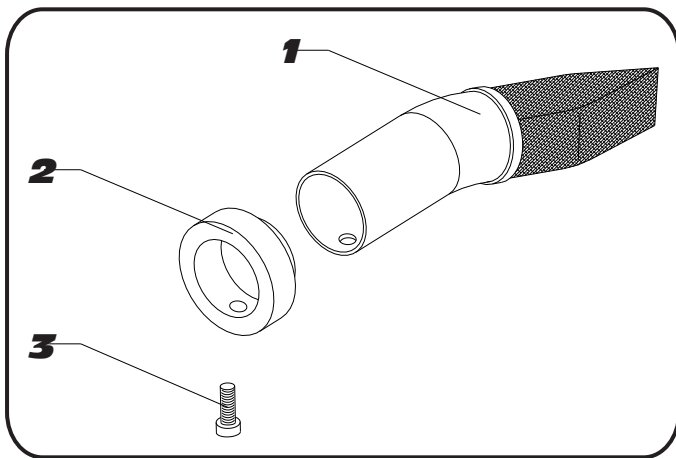
5420 DANIELS STREET STE A, CHINO CA. 91710 · (800)634-9166 · (909)628-4722 · FACSIMILE (909)591-2198

www.yoshimura-rd.com

Spark Arrester Cleaning Information

Caution: Muffler can be extremely hot. Let muffler cool down before removing spark arrester.

Note: Read through all instructions before beginning disassembly.



Parts Diagram

Tools Needed: 4mm Allen Key
Wire Brush
Pair of Gloves
Safety Glasses

NO.	DESCRIPTION	QTY	PART #
1	6mmX14mm Button Head Cap Screw	1	M6X14BHS
2	RS8 Spark Arrestor Ring, 1.500"	1	RS8T-RING-1500
3	Spark Arrester; TEC-SD16	1	TEC-SD16-00

Cleaning Steps:

- Using a 4mm Allen key, remove the 6mm x 14mm Button Head Bolt located under the muffler exhaust tip. (See Parts Diagram for location)
- Remove the spark arrester from the muffler.
- Using a wire brush, remove carbon deposits from spark arrester screen. Inspect the screen for excessive wear or damage. If spark arrester is excessively worn or damaged, the spark arrester must be replaced.

CAUTION: Gloves and Safety Glasses should be worn while cleaning spark arrester.

- Re-install spark arrester and 6mm x 10mm bolt into muffler assembly. Torque bolt to 1.0 kg-m (7.3 lb-ft).

NOTE: It is highly recommended that a low strength thread lock is used on the bolt.

❖ CAUTION: To maintain maximum sound and engine performance the muffler packing may need to be replaced every 1,000 miles. Failure to maintain the muffler packing may cause damage to the muffler and/or void the warranty. Regularly inspect the muffler and spark arrester for discoloration, cracks, or other signs of wear or damage caused by depleted muffler packing. If muffler packing is determined to be depleted or worn, a muffler repack kit is highly recommended to restore the muffler to optimum performance. Spark arrester inspection and muffler repack should be performed at same time. ❖