



# SIGNATURE SERIES

**Qualified Manufacturer Declared "Replacement Part"**

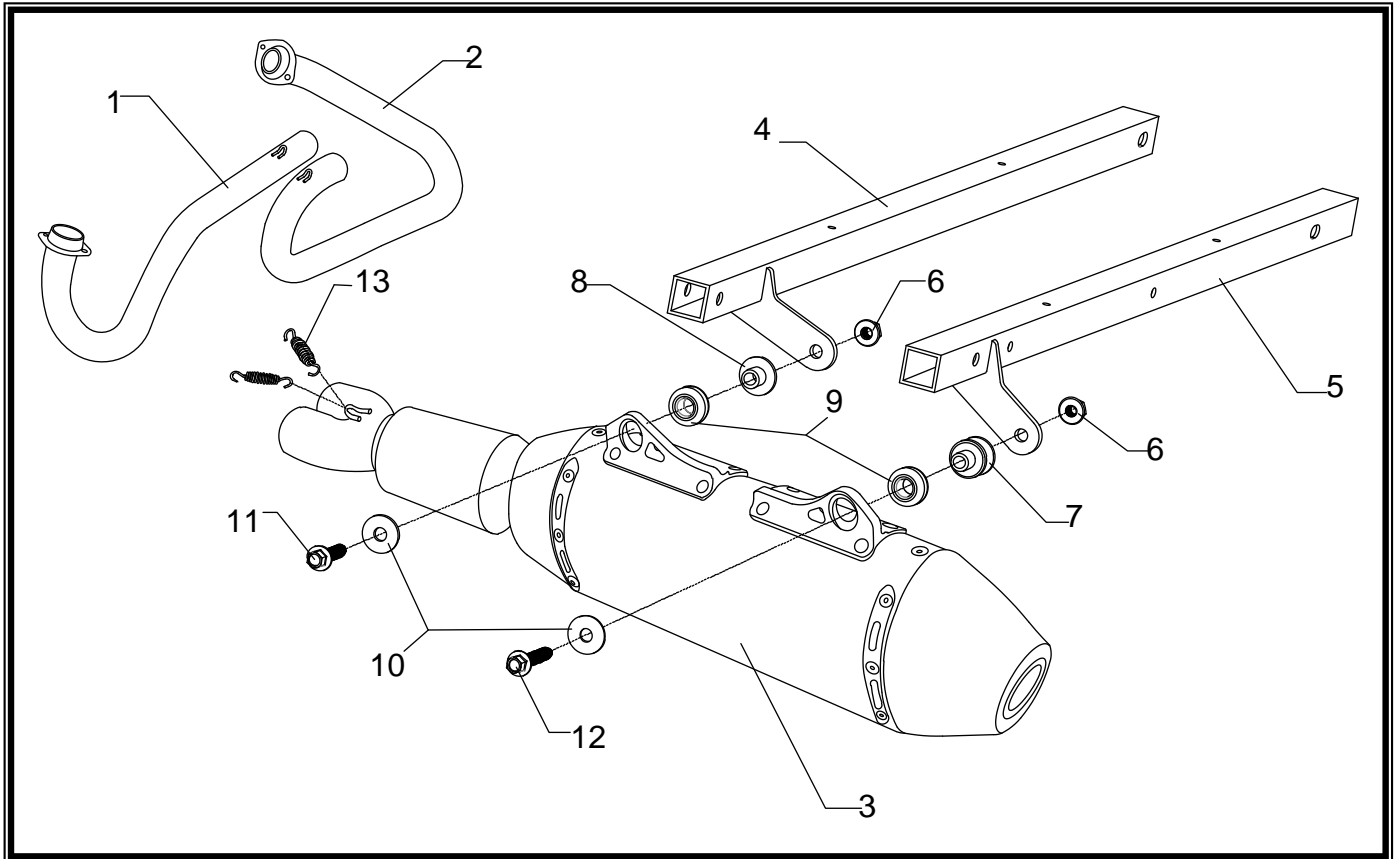
**APPLICATION**

YEAR	MODEL
2012- 2014	Arctic Cat Wildcat 1000
2013-2014	Arctic Cat Wildcat X
2013-2014	Arctic Cat Wildcat 4

**PRODUCT**

391000D520	RS4 Stainless Steel Full-System Exhaust with Stainless Steel Sleeve; CF Endcap
------------	--

- ⓘ In the state of California, it is illegal to modify the emission control system, which includes the fuel injection of any vehicle.
- ⓘ You must know how to remove and replace your stock exhaust in order to install this product otherwise have it installed by a professional mechanic. Keep all stock parts from your existing system as some components may be necessary to install your new Yoshimura exhaust depending on the application.
- ⓘ Read through all instructions before beginning installation. Exhaust system can be extremely hot. Let motorcycle cool down before beginning installation. Always wear hand and eye protection and take precautionary measures to avoid injury.



No.	Part #	Description	Qty
1	39100-101	Yoshimura Header, Front	1
2	39100-102	Yoshimura Header, Rear	1
3	391000D520-LMA	Yoshimura Muffler Assy.	1
4	39100-BRKT-F	Front Muffler Hanger Mount	1
5	39100-BRKT-R	Rear Muffler Hanger Mount	1
6	8MMNUT	8mm Flange Nut	2
7	ALS-004	Aluminum Spacer	1
8	ALS-003	Aluminum Spacer	1
9	Z1022	Rubber Grommet	2

10	8MMWASHERL	8mm Large Flat Washer	2
11	M8X30H	8mm x 30mm Flanged Hex Head Bolt	1
12	M8X45H	8mm x 45mm Flanged Hex Head Bolt	1
13	RACE-SPS-1	Medium Spring	2
**	ST-200	Spring Puller	1
**	M18X13PLG	O2 Bung Plug	1
**	347PLUG	Wash Plug	1
**	ZT-300	Cable Tie	1
**	17029	Yoshimura Sticker Sheet	1

**-TOOLS REQUIRED-**

*Metric Socket Set • Combination Wrench Set • Torque Wrench  
Metric Allen Wrench Set • Torx Bit Set*

**-REMOVAL-**

*1. Removing the stock system.*

- a) **Remove the (4) stock exhaust springs.**
- b) **Remove stock muffler by carefully sliding toward the rear of the vehicle.**
- c) **Remove radiator cover or rear body panel.**
- d) **Remove cargo box.**
- e) **Remove the stock Front and Rear muffler hanger support bar by removing the (4) bolts securing them onto frame.**
- f) **Remove rear skid plate.**
- g) **Remove front header bolts from under the vehicle and remove front header.**
- h) **Remove rear header bolts and remove rear header.**

**-INSTALLATION-**

*1. Installing the Yoshimura Full System Exhaust.*

- a) **Install Yoshimura Muffler Hanger Mount using the stock bolts.**  
**Note: The shorter muffler hanger mount is the rear and the longer muffler hanger mount is the front. The muffler hanger mount bracket points to the rear of the vehicle. See diagram for proper orientation.**
- b) **Install provided rubber grommets onto muffler brackets.**
- c) **Install Yoshimura front and rear headers using the stock exhaust gasket and stock header bolts. Inspect and replace exhaust gasket if necessary.**  
**Note: Do not torque header bolts at this time.**
- d) **Install Yoshimura muffler assembly onto Yoshimura headers using the hardware provided in the kit. See diagram for proper orientation.**
- e) **If the O2 sensor will not be used, install provided O2 sensor plug.**
- f) **Torque header bolts to factory specification.**

*2. Re-install bed assembly.*

- a) **Re-install cargo box.**
- b) **Re-install radiator cover or rear body panel.**
- c) **Re-install rear skip plate.**

*3. Fitment check and Notes.*

- a) **Before starting vehicle, check for proper clearance between new exhaust system and rear suspension (i.e. tire, brake, rear shock, and etc.) If any problem is found, please carefully follow through the installation steps again. If problem still persists, please call Yoshimura Tech Department at (800) 634-9166 / in CA (909) 628-4722.**
- b) **It is recommended that the muffler and tailpipe be wiped down with rubbing alcohol to remove oil and fingerprints. This will help prevent tarnishing of the finish after the exhaust is heated up.**
- c) **NOTE: After starting vehicle, it is normal for new exhaust system and muffler to emit smoke until oil residue burns off.**