



YOSHIMURA

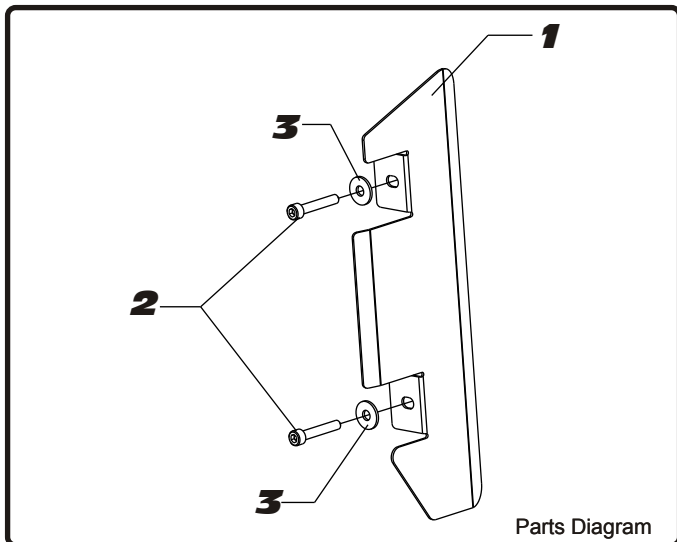
RESEARCH&DEVELOPMENT OF AMERICA, INC.

5420 DANIELS STREET STE A, CHINO CA, 91710 · (800)634-9166 · (909)628-4722 · FACSIMILE (909)591-2198

www.yoshimura-rd.com

39900-ABHS

Polaris RZR XP900 Airbox Heatshield



| NO. | DESCRIPTION | QTY | PART # |
|-----|----------------------------------|-----|------------|
| 1 | Air Box Heat Shield | 1 | 39900-ABHS |
| 2 | 6mm x 35mm Socket Head Cap Screw | 2 | M6X35 |
| 3 | 6mm Washer | 2 | 6MMWASHER |

- 1 Remove the (2) thumb screws on the right side of airbox.
- 2 Install heatshield onto airbox using the provided hardware. See Parts Diagram for orientation.
- 3 Torque bolts to 7 ft-lb. (10 Nm, 1.0 kg-m)

CAUTION: EXHAUST SYSTEM CAN BE EXTREMELY HOT. LET VEHICLE COOL DOWN BEFORE BEGINNING INSTALLATION. ALWAYS WEAR PROTECTIVE GEAR AND TAKE PRECAUTION WHEN PERFORMING WORK ON VEHICLES.



YOSHIMURA

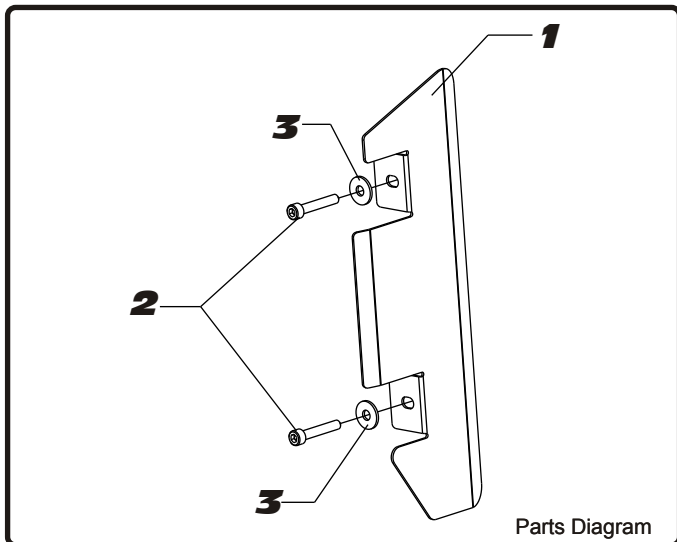
RESEARCH&DEVELOPMENT OF AMERICA, INC.

5420 DANIELS STREET STE A, CHINO CA, 91710 · (800)634-9166 · (909)628-4722 · FACSIMILE (909)591-2198

www.yoshimura-rd.com

39900-ABHS

Polaris RZR XP900 Airbox Heatshield



| NO. | DESCRIPTION | QTY | PART # |
|-----|----------------------------------|-----|------------|
| 1 | Air Box Heat Shield | 1 | 39900-ABHS |
| 2 | 6mm x 35mm Socket Head Cap Screw | 2 | M6X35 |
| 3 | 6mm Washer | 2 | 6MMWASHER |

- 1 Remove the (2) thumb screws on the right side of airbox.
- 2 Install heatshield onto airbox using the provided hardware. See Parts Diagram for orientation.
- 3 Torque bolts to 7 ft-lb. (10 Nm, 1.0 kg-m)

CAUTION: EXHAUST SYSTEM CAN BE EXTREMELY HOT. LET VEHICLE COOL DOWN BEFORE BEGINNING INSTALLATION. ALWAYS WEAR PROTECTIVE GEAR AND TAKE PRECAUTION WHEN PERFORMING WORK ON VEHICLES.