



PERFORMANCE EXHAUST SYSTEM

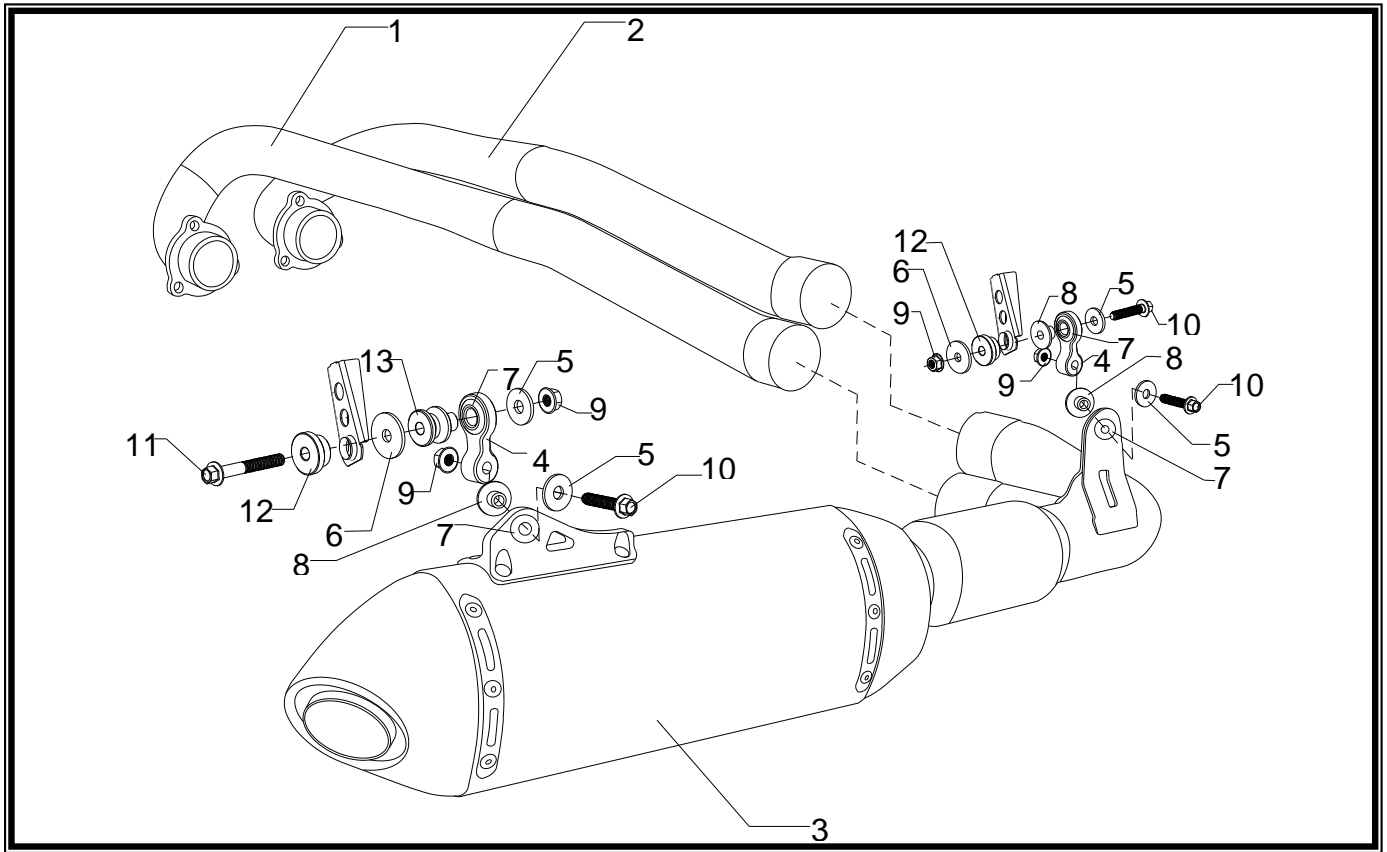
APPLICATION

MAKE	MODEL
Polaris	RZR XP 900 RZR XP 4 900 RZR XP 900 Jagged X RZR 900

PRODUCT

399000D520	RS4 SS Full-System Exhaust with Stainless Steel Sleeve: CF Endcap
------------	---

!	This product is designed for use in closed course racing and is not intended for highway use. In the state of California, it is illegal to modify the emission control system, which includes the fuel injection of any vehicle.
!	You must know how to remove and replace your stock exhaust in order to install this product otherwise have it installed by a professional mechanic. Keep all stock parts from your existing system as some components may be necessary to install your new Yoshimura exhaust depending on the application.
!	Read through all instructions before beginning installation. Exhaust system can be extremely hot. Let motorcycle cool down before beginning installation. Always wear hand and eye protection and take precautionary measures to avoid injury.



No.	Part #	Description	Qty
1	39900-103	Header Leg 1	1
2	39900-104	Header Leg 2	1
3	399000D520-RMA	Yoshimura Muffler Assy.	1
4	39900-RS4BRKT	Muffler Hanger Bracket	2
5	8MMWASHERL	8mm Large Washer	4
6	8MMWASHERXL	8mm XL Washer	2
7	Z1022	Rubber Grommet	4
8	ALS-003	Aluminum Spacer	3
9	8MMNUT	8mm Nut	4
10	M8X40H	8mm x 40mm Flanged Hex Head Bolt	3

11	M8X60H	8mm x 60mm Flanged Hex Head Bolt	1
12	ALS-027	Aluminum Spacer	2
13	ALS-031	Aluminum Spacer	1
**	5388K28	Worm Drive Clamp	5
**	RACE-SPX-1	Short Spring	2
**	ST-200	Spring Puller	1
**	M18X13PLG	O2 Bung Plug	1
**	347PLUG	Wash Plug	1
**	17029	Yoshimura Sticker Sheet	1

-TOOLS REQUIRED-

*Metric Socket Set • Combination Wrench Set • Torque Wrench
Metric Allen Wrench Set • Tin Snips or Rotary Tool • Torx Bit Set*

-REMOVAL-

1. Removing the stock system.

- a) Remove driver and passenger seats as per Factory Service Manual.**
- b) Remove engine access panel located behind the driver and passenger seats.**
- c) Remove the torx bolts securing heatshield and remove stock heatshield to gain access to the header.**
- d) Remove the muffler to tailpipe connection springs.**
- e) Remove the (6) header bolts.**
- f) Remove the stock header from the engine access panel.**
Note: The stock exhaust port gaskets will be re-used with the Yoshimura Exhaust System. Inspect and replace if necessary.
- g) Remove the (2) springs securing the stock muffler to chassis and slide the stock muffler off of the rubber bushings to the right.**
- h) Using tin snips or a rotary tool, carefully cut the stock worm drive clamps securing heatshield to the header. Remove heatshield off of the stock header as they will be re-used on the Yoshimura header.**

-INSTALLATION-

1. Installing the Yoshimura Full-System Exhaust.

- a) Install Yoshimura Muffler Hanger Brackets onto chassis. See diagram for proper hardware orientation.**
- b) Install Yoshimura headers using the stock header bolts.**
Do not torque header bolts at this time.
- c) Slide Yoshimura muffler assembly onto header legs.**
- d) Bolt muffler assembly to Yoshimura muffler hanger bracket using the supplied hardware.**
See parts diagram for proper orientation.
- e) Torque header bolts to 23Nm. (16.5lb-ft, 2.3kg-m)**
- f) Install exhaust springs onto header and tailpipe connection.**
- g) If the O2 sensor will not be used, install provided O2 sensor plug.**
- h) Install stock header heatshield onto Yoshimura headers using the (5) supplied worm drive clamps in the kit.**

2. Re-install bed assembly and fenders.

- a) Re-install engine access panel**
- b) Re-install driver and passenger seats.**
- c) Re-install rear valance. (tail light, bumper, rear body panels, and etc.)**

3. Fitment check and Notes.

- a) Before starting vehicle, check for proper clearance between new exhaust system and rear suspension (i.e. tire, brake, rear shock, and etc.) If any problem is found, please carefully follow through the installation steps again. If problem still persists, please call Yoshimura Tech Department at (800) 634-9166 / in CA (909) 628-4722.**
- b) It is recommended that the muffler and tailpipe be wiped down with rubbing alcohol to remove oil and fingerprints. This will help prevent tarnishing of the finish after the exhaust is heated up.**
- c) NOTE: After starting vehicle, it is normal for new exhaust system and muffler to emit smoke until oil residue burns off.**