



PERFORMANCE EXHAUST SYSTEM

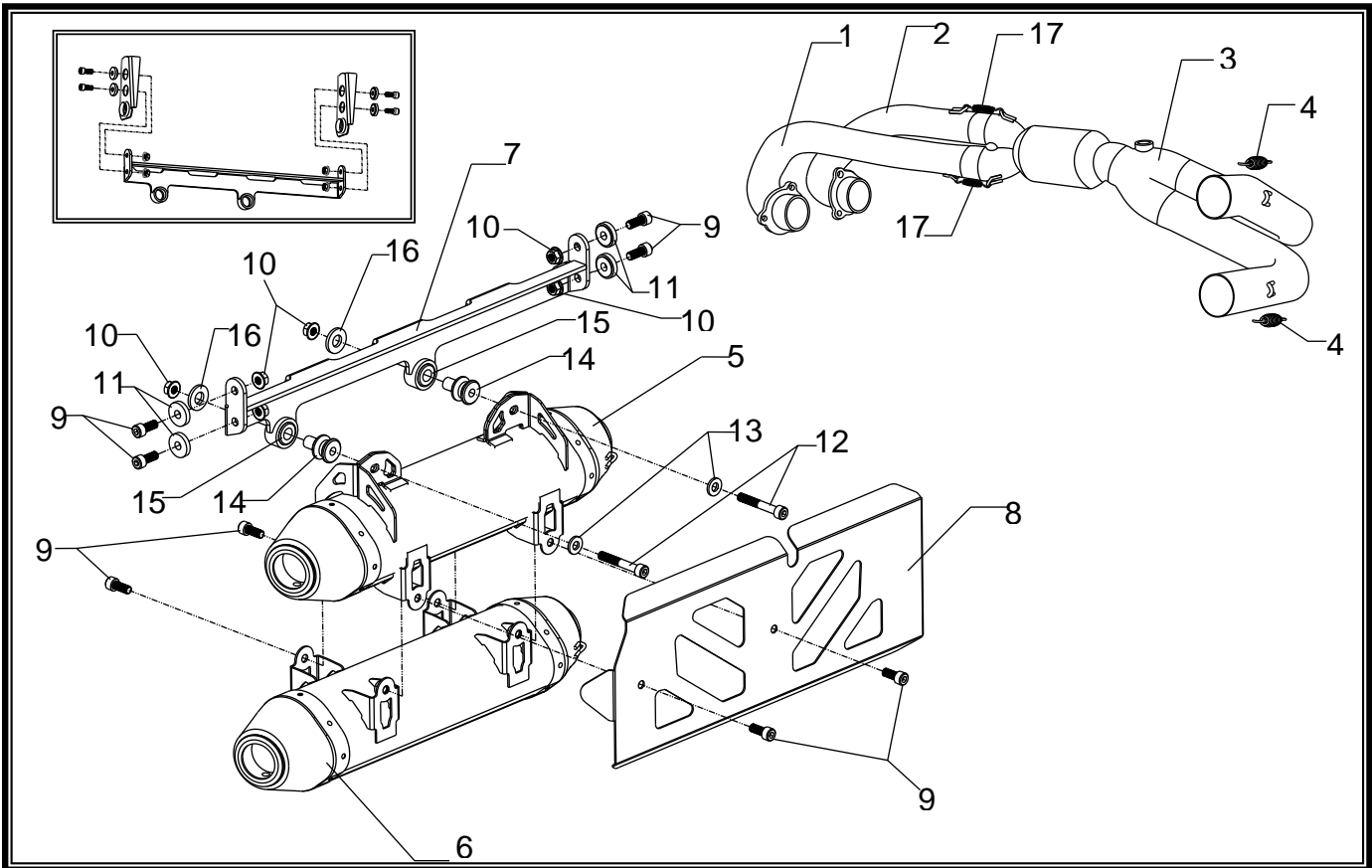
APPLICATION

MAKE	MODEL
Polaris	RZR XP900 RZR XP900 Jagged X RZR 900

PRODUCT

399000F551	RS2D Stainless Steel Full-System Exhaust with Stainless Steel Sleeve; Spark Arrested
------------	--

- ⚠ This product is designed for use in closed course racing and is not intended for highway use. In the state of California, it is illegal to modify the emission control system, which includes the fuel injection of any vehicle.
- ⚠ You must know how to remove and replace your stock exhaust in order to install this product otherwise have it installed by a professional mechanic. Keep all stock parts from your existing system as some components may be necessary to install your new Yoshimura exhaust depending on the application.
- ⚠ Read through all instructions before beginning installation. Exhaust system can be extremely hot. Let vehicle cool down before beginning installation. Always wear hand and eye protection and take precautionary measures to avoid injury.



No.	Part #	Description	Qty
1	39900-101	Yoshimura Header Leg 1	1
2	39900-102	Yoshimura Header Leg 2	1
3	39900-144	Yoshimura Tailpipe	1
4	RACE-SPX-1	Small Exhaust Springs	4
5	399000F551-TMA	Yoshimura Top Muffler Assy.	1
6	399000F551-BMA	Yoshimura Btm. Muffler Assy.	1
7	39900-BRKT-DFR	Chassis Mount Muffler Brkt.	1
8	39900-HS-YOSH	Yoshimura Heatshield	1
9	M8X20	8mm x 20mm Bolt	8
10	8MMNUT	8mm Flange Nut	6
11	ALS-028	Aluminum Spacer	4
12	M8X55	8mm x 55mm Bolt	2
13	8MMWASHER	8mm Washer	2
14	ALS-009	Aluminum Spacer	2

15	011257-00	Rubber Bushing	2
16	8MMWASHERL	8mm Large Washer	2
17	RACE-SPS-1	Medium Exhaust Spring	2
**	5388K28	Worm Drive Clamp	4
**	ST-200	Spring Puller Tool	1
**	347PLUG	End Cap Plug	2
**	M18X13PLG	Plug for O2 Bung	1
**	39900-ABHS	Airbox Heatshield	1
**	M6X35	6mm x 35mm Bolt (For Airbox HS)	2
**	6MMWASHER	6mm Washer (For Airbox HS)	2

REPLACEMENT PARTS

****	TEC-SD12	Spark Arrester Kit	****
****	REPACK-RS2-PK14	Muffler Repacking Kit	****

-TOOLS REQUIRED-

*Metric Socket Set • Combination Wrench Set • Torque Wrench
Metric Allen Wrench Set • Tin Snips or Rotary Tool*

-REMOVAL-

1. Removing the stock system.

- a) Remove driver and passenger seats as per Factory Service Manual.**
- b) Remove engine access panel located behind driver and passenger seats.
Note: For 2012 models, remove heatshield behind engine access panel.**
- c) Remove the rear valance. (Rear bumper, tail lights, body panels, and etc.)**
- d) Remove muffler to tailpipe connection springs.**
- e) Remove the (6) header bolts.**
- f) Remove the stock header from the engine access panel. (Note: The stock gaskets will be re-used with the Yoshimura system.)**
- g) Remove the (2) springs on the stock muffler and slide muffler off of rubber bushings to the right.**
- h) Using tin snips or a rotary tool, carefully remove heatshield off of the stock header as they as they will be re-used on the Yoshimura header.**

-INSTALLATION-

1. Small parts installation.

- a) Install rubber bushing onto chassis mount muffler hanger bracket.**
- b) Install chassis mount muffler hanger bracket onto vehicle. See parts diagram for proper orientation.**
- c) Assemble muffler assembly. See parts diagram for proper orientation.**

2. Installing the header.

- a) Install Yoshimura header using stock bolts. Do not torque header bolts at this time.
(NOTE: Inspect stock exhaust port gasket and replace if necessary. Stock P/N: 5253989)**

3. Installing the muffler tailpipe assembly.

- a) Slide tailpipe onto header legs.**
- b) Slide muffler assembly onto tailpipe.**
- c) Rotate the tailpipe to achieve optimal alignment.**
- d) Bolt muffler assembly to chassis mount muffler hanger bracket using the supplied hardware. See parts diagram for proper orientation.**
- e) Torque header bolts to 23Nm. (2.3kg-m, 16.5lb-ft)**
- f) Install header to tailpipe connection springs.**
- g) Install muffler to tailpipe connection springs.**
- h) If O2 sensor will not be used, install provided O2 sensor plug.**
- i) Install stock header heatshield onto Yoshimura header using the (4) supplied worm drive clamps.**

4. Reinstall bed assembly and fenders.

- a) Re-install engine access panel.**
- b) Re-install driver and passenger seats.**
- c) Re-install rear valance. (Tail light, bumper, rear body panels, and etc.)**

5. *Fitment check and Notes.*

- a) **Before starting vehicle, check for proper clearance between new exhaust system and rear suspension (i.e. tire, swing-arm, brake, rear shock, engine, and etc.) If any problem is found, please carefully follow through the installation steps again. If problem still persists, please call Yoshimura Tech Department at (800) 634-9166 / in CA (909) 628-4722.**
- b) **It is recommended that the muffler and tailpipe be wiped down with rubbing alcohol to remove oil and fingerprints. This will help prevent tarnishing of the finish after the exhaust is heated up.**
- c) **NOTE: After starting vehicle, it is normal for new exhaust system and muffler to emit smoke until oil residue burns off.**



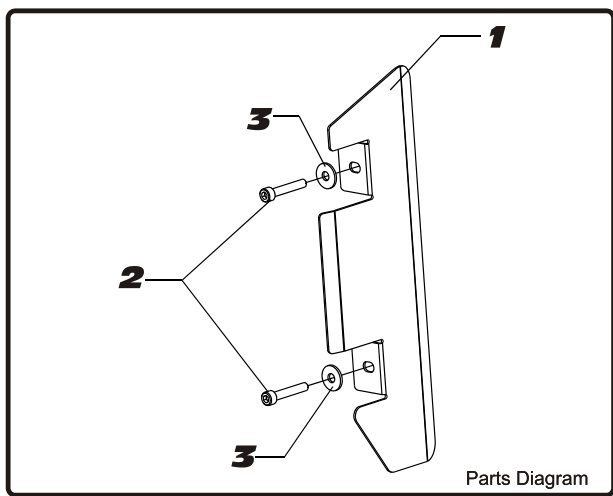
YOSHIMURA

RESEARCH&DEVELOPMENT OF AMERICA, INC.

5420 DANIELS STREET STE A, CHINO CA, 91710 · (800)634-9166 · (909)628-4722 · FACSIMILE (909)591-2198

www.yoshimura-rd.com

39900-ABHS Polaris RZR XP900 Airbox Heatshield



NO.	DESCRIPTION	QTY	PART #
1	Air Box Heat Shield	1	39900-ABHS
2	6mm x 35mm Socket Head Cap Screw	2	M6X35
3	6mm Washer	2	6MMWASHER

- 1 Remove the (2) thumb screws on the right side of airbox.
- 2 Install heatshield onto airbox using the provided hardware. See Parts Diagram for orientation.
- 3 Torque bolts to 7 ft-lb. (10 Nm, 1.0 kg-m)

CAUTION: EXHAUST SYSTEM CAN BE EXTREMELY HOT. LET VEHICLE COOL DOWN BEFORE BEGINNING INSTALLATION. ALWAYS WEAR PROTECTIVE GEAR AND TAKE PRECAUTION WHEN PERFORMING WORK ON VEHICLES.