





REARSET BRACKET KIT

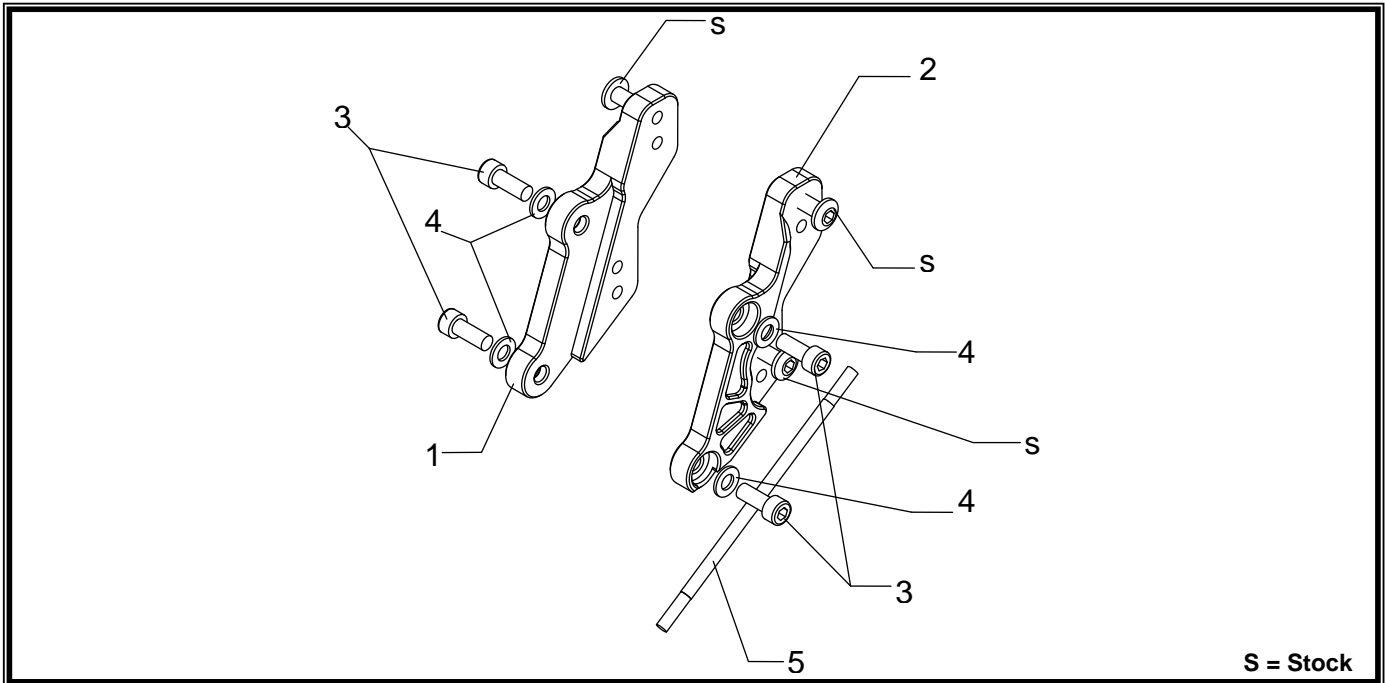
APPLICATION

MAKE	MODEL
Honda	CBR250R CBR300R CB300F

PRODUCT

500HA122500	Honda Rear Set Bracket
-------------	------------------------

-  This product is designed for use in closed course racing and is not intended for highway use.
-  Read through all instructions before beginning installation. Motorcycle can be extremely hot. Let motorcycle cool down before beginning installation. Always wear proper protective gear when performing work on vehicles.



No.	Part #	Description	Qty
1	500HA122500R	Right Rear Set Plate	1
2	500HA122500L	Left Rear Set Plate	1
3	M8X20	8mm x 20mm Socket Head Cap Screw	4
4	8MMWASHER-SS	8mm Washer	4
5	R-K8SR178SS	Shift Rod	1
**	R-K880ND	Blue Threadlock	1
**	17020C	Sticker Sheet	2

Position 1	45mm Back	30mm Up
Position 2	45mm Back	45mm Up

-TOOLS REQUIRED-

Metric Socket Set

Combination Wrench Set

Torque Wrench

Metric Allen Wrench Set

-REMOVAL-

- 1. Remove the stock shift rod by loosening the shift rod lock nuts and removing shift arm. Remove stock left rearsset from frame by removing the (2) bolts securing it in place.***
- 2. Clean the stock bolts and apply the thread lock provided in the kit onto both the stock bolts and the supplied bolts. See parts diagram for proper orientation on installing the Yoshimura left rearsset bracket to the frame using the bolts and washer supplied in the kit. Install stock rearsset onto desired position. (See Fig. 1) Torque to 18.5 ft-lb (25 N-m).***

Note: Stock bolts will be used on stock rearsset to Yoshimura rearsset bracket. Supplied bolts and washers are to be used to mount Yoshimura rearsset bracket and frame.

- 3. Remove stock lock nuts from stock shift rod and install onto Yoshimura shift rod. Install Yoshimura shift rod onto shift lever and shift arm. Be sure to check position and clearance of shift lever action before operating motorcycle. Tighten lock nuts.***
- 4. Remove right rearsset by removing the (2) stock bolts.***
- 5. Clean stock bolts and apply the thread lock provided in the kit onto both the stock bolts and the supplied bolts. See parts diagram for proper orientation on installing the Yoshimura right rearsset bracket to the frame using the bolts and washer supplied in the kit. Install stock rearsset onto desired position. (See Fig. 2) Torque to 18.5 ft-lb (25 N-m).***
- 6. The rear brake line will need to be shortened by 40-45mm to prevent binding and/or contact with other components. Remove rear brake reservoir bolt and carefully remove brake line from the brake reservoir side. Be sure not to spill brake fluid over painted surface as it may damage the paint. Shorten the brake line using a tube cutter or sharp scissors. Re-connect brake line to reservoir and top off with brake fluid. Re-install reservoir bolt.***

Note: Bleeding the brakes may be necessary to ensure no air bubbles are in the brake system. See Factory Service Manual on proper brake bleeding procedure.

- 7. Inspect for binding, clearance, and leaks before riding. Brake lever may need adjustment with new position. Adjust brake clevis accordingly until desired pedal feel is achieved.***