



# YOSHIMURA

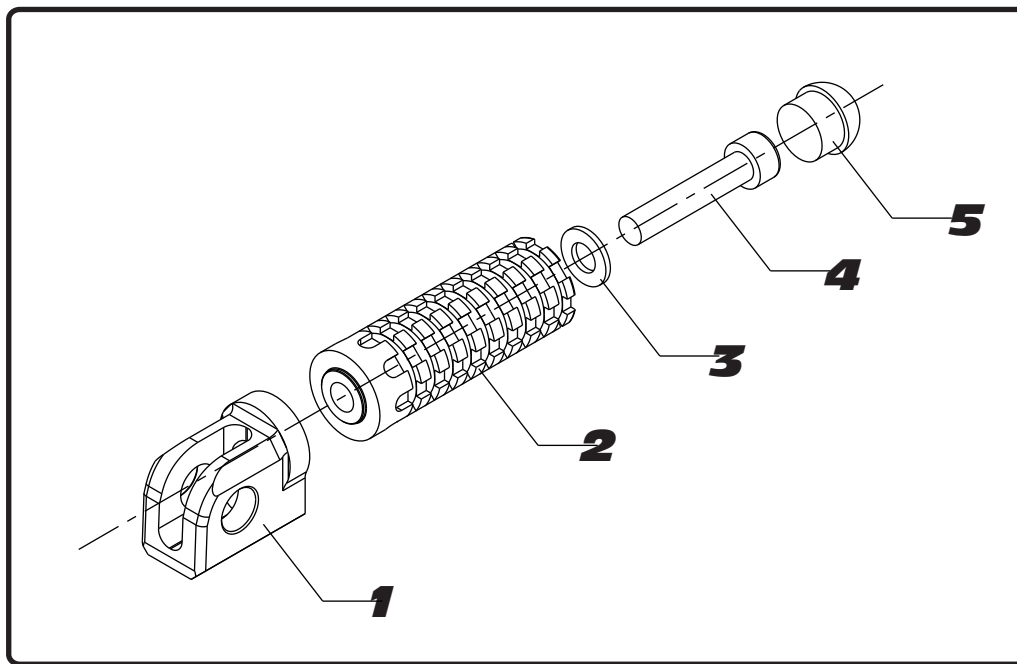
RESEARCH&DEVELOPMENT OF AMERICA, INC.

5420 DANIELS STREET STE A, CHINO CALIF. 91786 · (800)634-9166 · (909)628-4722 · FACSIMILE (909)591-2198

[www.yoshimura-rd.com](http://www.yoshimura-rd.com)

## Footpeg Kit

## 550HA147000



Parts Diagram

### Parts List:

	DESCRIPTION	QTY	PART #
1	Footpeg Holder	2	550HA147000H
2	Footpeg	2	550HA1-PG
3	8mm Flat Washer	2	8MMWASHER
4	8mm X 40mm Socket Head Bolt	2	M8X40
5	Delrin Bumper	2	R-K880DB
**	Thread Lock	1	R-K880ND
**	Yoshimura *USA* Sticker	2	17020C

### Installation Steps:

1. Remove stock footpegs but removing c-clip holding footpeg pin in place. Use caution when removing footpeg as footpeg spring is loaded in the natural position.
2. Mount footpeg holder to stock footpeg bracket using stock pin, spring, and c-clip.
3. Apply supplied thread lock agent to bolt. Bolt footpeg to footpeg holder as shown in parts diagram. Torque bolt to 16.5 ft-lbs ( 23 N-m ).
4. Prior to riding motorcycle, check to ensure that footpegs fold upwards after installation.