



YOSHIMURA

RESEARCH&DEVELOPMENT OF AMERICA, INC.

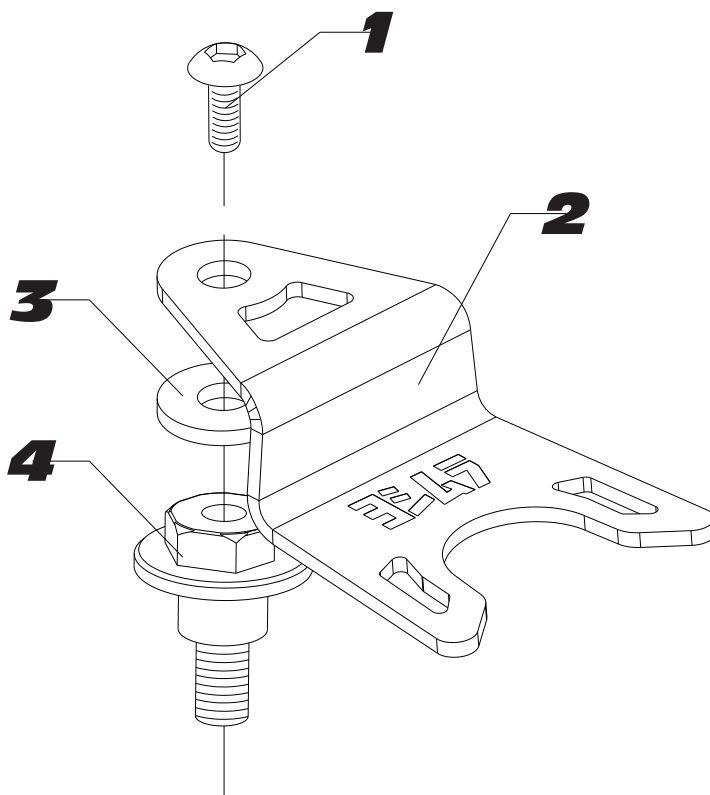
5420 DANIELS STREET STE A, CHINO CALIF. 91786 · (800)634-9166 · (909)628-4722 · FACSIMILE (909)591-2198

www.yoshimura-rd.com

SPARK PLUG HOLDER KIT

**RMZ450
LTR450
RMX450Z**

750HA219200



Part List:

	DESCRIPTION	QTY	PART #
1	6mm X 10mm Button Head Screw Used for: 2005-2007 Suzuki RMZ450 2006-2009 Suzuki LTR450 6mm X 12mm Button Head Screw Used for: 2008-2018 Suzuki RMZ450 2010 Suzuki RMX450Z	1	M6X10BHS M6X12BHS
2	Spark Plug Holder	1	750HA219200H
3	Aluminum Spacer	1	6X3SPC
4	RMZ450 SS Cover Bolt	1	2190-SCB
**	Yoshimura *USA* Sticker	2	17020C

CAUTION: Engine may be extremely hot. Be sure to let vehicle cool prior to beginning installation. Always wear hand and eye protection and take precautionary measures to avoid injury.

Note: Read through all instructions before beginning installation.

Tools Needed:

Metric Socket Set
Metric Allen Set

Installation Steps:

- 1 Remove seat, shrouds, and fuel tank.
- 2 Remove forward stock bolt on top of the head.
(See Fig. 1)

Note: Installation on the rear cylinder head bolt may hit the fuel pump and subsequently result in fuel pump failure.

- 3 Install the supplied stainless steel bolt onto the head.

Note: The stock rubber washer will be reused. Inspect and replace if necessary.

Torque to 7 ft-lbs (10 N-m).

- 4 Install Spark Plug Holder onto spark plug boot.

Note: Please see below for bolt and spacer applications:

Application	QTY	Uses
2005-2007 Suzuki RMZ450	1	M6X10BHS
2006-2009 Suzuki LTR450	0	NO SPACER
2008-2018 Suzuki RMZ450	1	M6X12BHS
2010 Suzuki RMX450Z	1	6X3SPC

- 5 Secure the Spark Plug Holder with the button screw.
(See Fig. 2)

Note: RMZ450 and RMX450Z applications require the use of the longer, 12mm bolt. LT-R applications require the use of the shorter, 10mm bolt.

Torque to 7 ft-lbs (10 N-m).

- 6 Reinstall the fuel tank, shrouds, and seat.

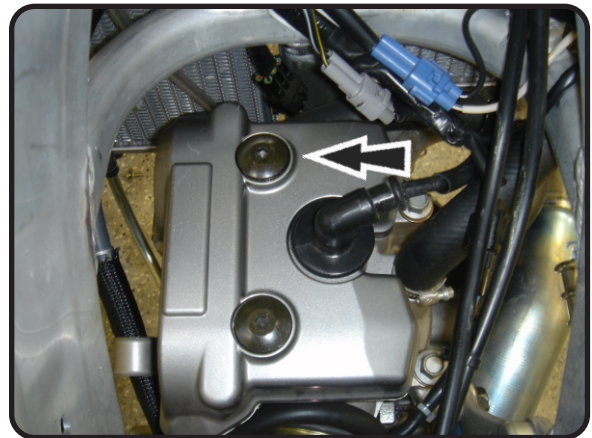


Fig. 1



Fig. 2