




RACING ACCESSORY

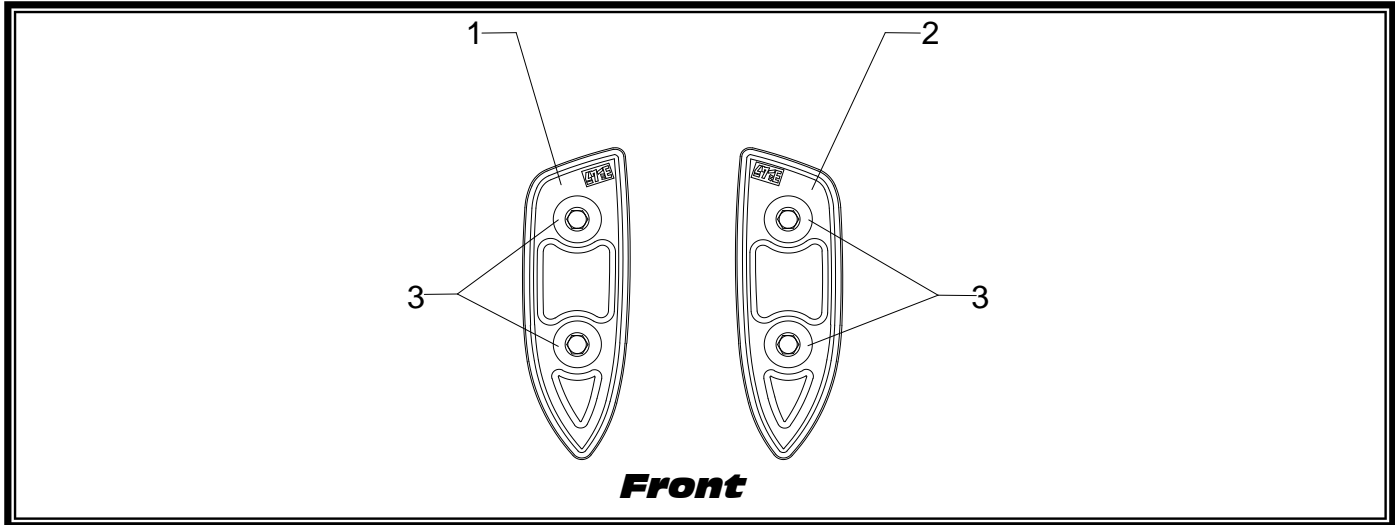
APPLICATION

YEAR	MODEL
2009-2014	Yamaha R1

PRODUCT

900BG131400	Black Mirror Block Off Plate
900CL131400	Clear Mirror Block Off Plate

 This product is not DOT approved. Yoshimura R&D of America, Inc. is not liable or responsible for any resulting event caused by the installation of this product. Check with local laws and regulations for compliance prior to installation and use. This product is not intended for use on public highways.



No.	Part #	Description	Qty
1	900BG131400HR 900CL131400HR	Right Yoshimura Mirror Block Off Plates, Black Right Yoshimura Mirror Block Off Plates, Clear	1
2	900BG131400HL 900CL131400HL	Left Yoshimura Mirror Block Off Plates, Black Left Yoshimura Block Off Plates, Clear	1
3	M6X22BHS	6mm x 22mm Button Head Screw	4
**	13140-CFMC-L	Left Carbon Fiber Plates	1
**	13140-CFMC-R	Right Carbon Fiber Plates	1
**	17020C	Yoshimura Sticker Sheet	2

-TOOLS REQUIRED-

Metric Socket Set Combination Wrench Set Metric Allen Wrench Set

-REMOVAL-

1. While securely supporting the mirror, remove mirror nuts to remove mirror.
2. Repeat removal step for opposite side.

-INSTALLATION-

1. Using the bolts provided in the kit, install Yoshimura mirror block off plates using the stock nuts.
2. Repeat step 1 for opposite side.
3. Check all nuts and bolts are tight and secure prior to riding.