



RACING ACCESSORY

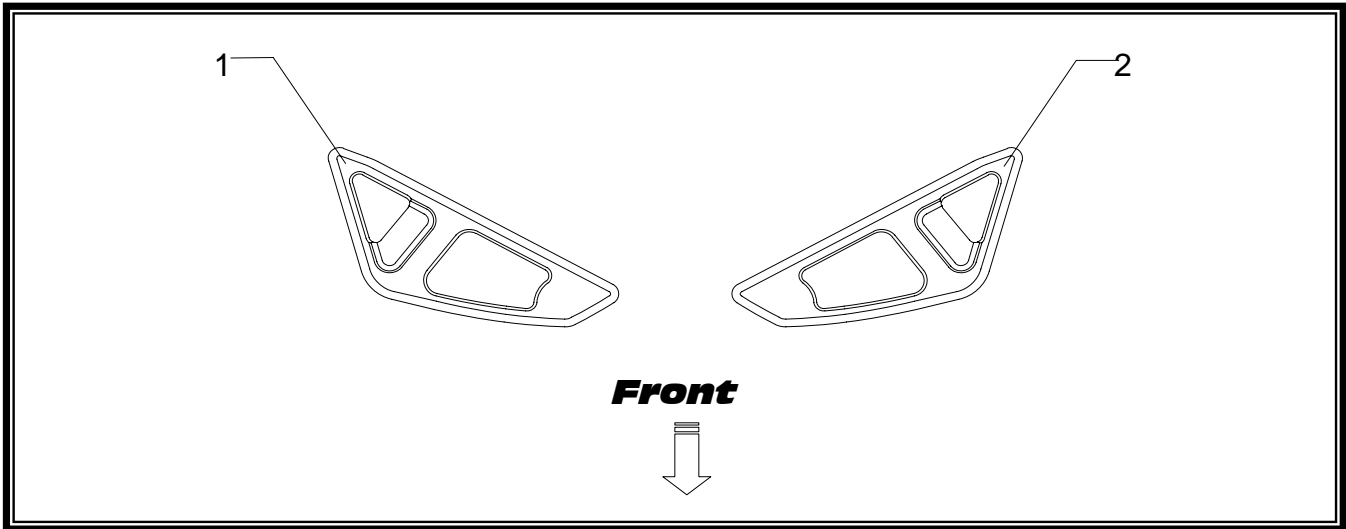
APPLICATION

YEAR	MODEL
2012	Ducati 1199 Panigale

PRODUCT

900BG191190	Black Mirror Block Off Plate
900CL191190	Clear Mirror Block Off Plate

! This product is not DOT approved. Yoshimura R&D of America, Inc. is not liable or responsible for any resulting event caused by the installation of this product. Check with local laws and regulations for compliance prior to installation and use. This product is not intended for use on public highways.



No.	Part #	Description	Qty
1	900BG191190HR 900CL191190HR	Yoshimura Right Mirror Block Off Plate, Black Yoshimura Right Mirror Block Off Plate, Clear	1
2	900BG191190HL 900CL191190HL	Yoshimura Left Mirror Block Off Plate, Black Yoshimura Left Mirror Block Off Plate, Clear	1
**	19119-CFMC-L	Left Carbon Fiber Plate	1
**	19119-CFMC-R	Right Carbon Fiber Plate	1
**	M5X8BHS	5mm x 8mm Button Head Screw	4
**	17020C	Yoshimura Sticker Sheet	2

-TOOLS REQUIRED-

Metric Socket Set Combination Wrench Set Metric Allen Wrench Set

-REMOVAL-

1. While securely supporting the mirror, remove mirror bolts to remove mirror.
Note: Upper stock mirror pad between mirror and fairing will not be used however do not remove the pad between the fairing and frame mount.
2. Repeat removal step for opposite side.

-INSTALLATION-

1. Using the provided bolts, install Yoshimura mirror block off plate. See diagram for proper orientation.
2. Repeat step 1 for opposite side.
3. Check all bolts are tight and secure prior to riding.