




RACING ACCESSORY

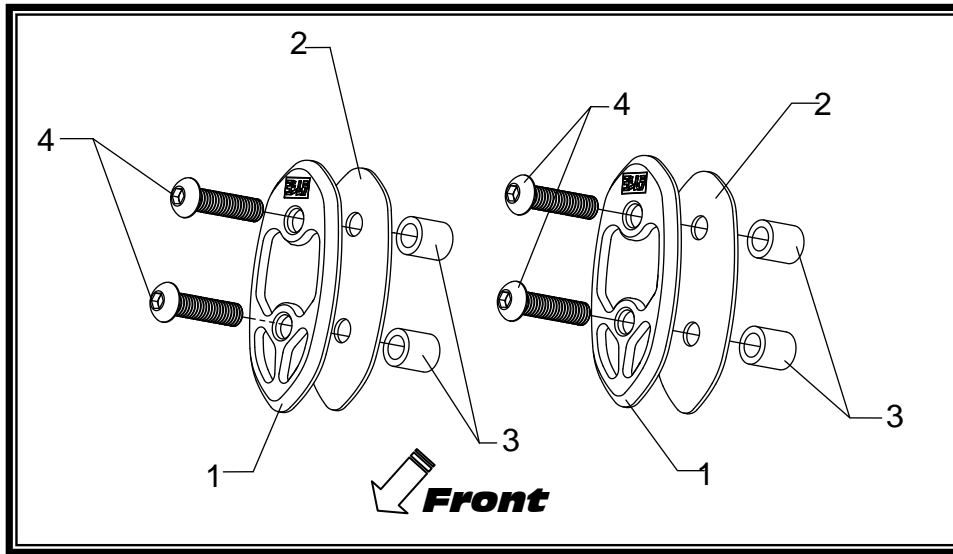
APPLICATION

YEAR	MODEL
2010-2014	BMW S1000RR

PRODUCT

900BG152010	Black Mirror Block Off Plate
900CL152010	Clear Mirror Block Off Plate

 This product is not DOT approved. Yoshimura R&D of America, Inc. is not liable or responsible for any resulting event caused by the installation of this product. Check with local laws and regulations for compliance prior to installation and use. This product is not intended for use on public highways.



No.	Part #	Description	Qty
1	900BG152010H 900CL152010H	Yoshimura Mirror Block Off Plates, Black Yoshimura Mirror Block Off Plates, Clear	2
2	15201-CFMC	Yoshimura Carbon Fiber Plates	2
3	15201-MRSP	Aluminum Sleeve	4
4	M6X25BHS	6mm x 25mm Button Head Screw	4
**	17020C	Yoshimura Sticker Sheet	2

-TOOLS REQUIRED-

- Metric Socket Set
- Combination Wrench Set
- Metric Allen Wrench Set

-REMOVAL-

1. While securely supporting mirror, remove the (2) mirror nuts.
2. Carefully remove mirror.
3. Repeat steps for opposite side.

-INSTALLATION-

1. Install provided aluminum sleeve into stock mirror holder.
2. Using the supplied bolts, install Yoshimura mirror block off plates using the stock nuts. See diagram for orientation.
3. Check all nuts and bolts are tight and secure prior to riding.