



YOSHIMURA

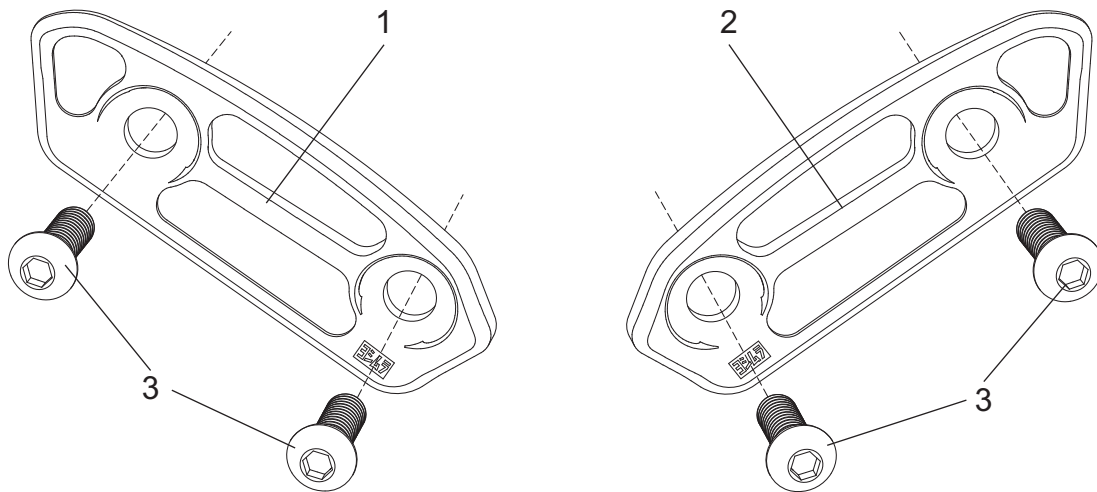
RESEARCH&DEVELOPMENT OF AMERICA, INC.

5420 DANIELS STREET STE A, CHINO CA., 91710 · (800) 634-9166 · (909) 628-4722 · FAX (909) 591-2198

www.yoshimura-rd.com

RACING ACCESSORY

2017~2018 GSXR 1000 900HA111820 Mirror Block Off Plate



No.	Item	Description	Qty.
1	900HA111820HL	Yoshimura Left Mirror Block Off Plate	1
2	900HA111820HR	Yoshimura Right Mirror Block Off Plate	1
3	M6X14BHS	6mm x 14mm Button Head Cap Screw	4
**	11182-CFMC-R	Right Carbon Fiber Plate	1
**	11182-CFMC-L	Left Carbon Fiber Plate	1
**	17020C	Yoshimura Sticker Kit	1

** Not shown on diagram.

IMPORTANT: This product is not DOT approved. Yoshimura R&D of America, Inc. is not liable or responsible for any resulting event caused by the installation of this product. Check with local laws and regulations for compliance prior to installation and use. This product is not intended for use on public highways.

Removal

1. While securely supporting the mirror, remove the two stock bolts securing the mirror.

Note: Stock mirror cushion will not be reused.

2. Repeat step one for the opposite side.

Note: Stock mirror nuts will be reused with Yoshimura mirror block off plates.

Installation

1. Install Yoshimura mirror block off plates using stock mirror nuts and (No. 3) M6X14BHS, head cap screws as shown above.
2. Check all head cap screws and stock nuts are tight and secure prior to riding.