




RACING ACCESSORY

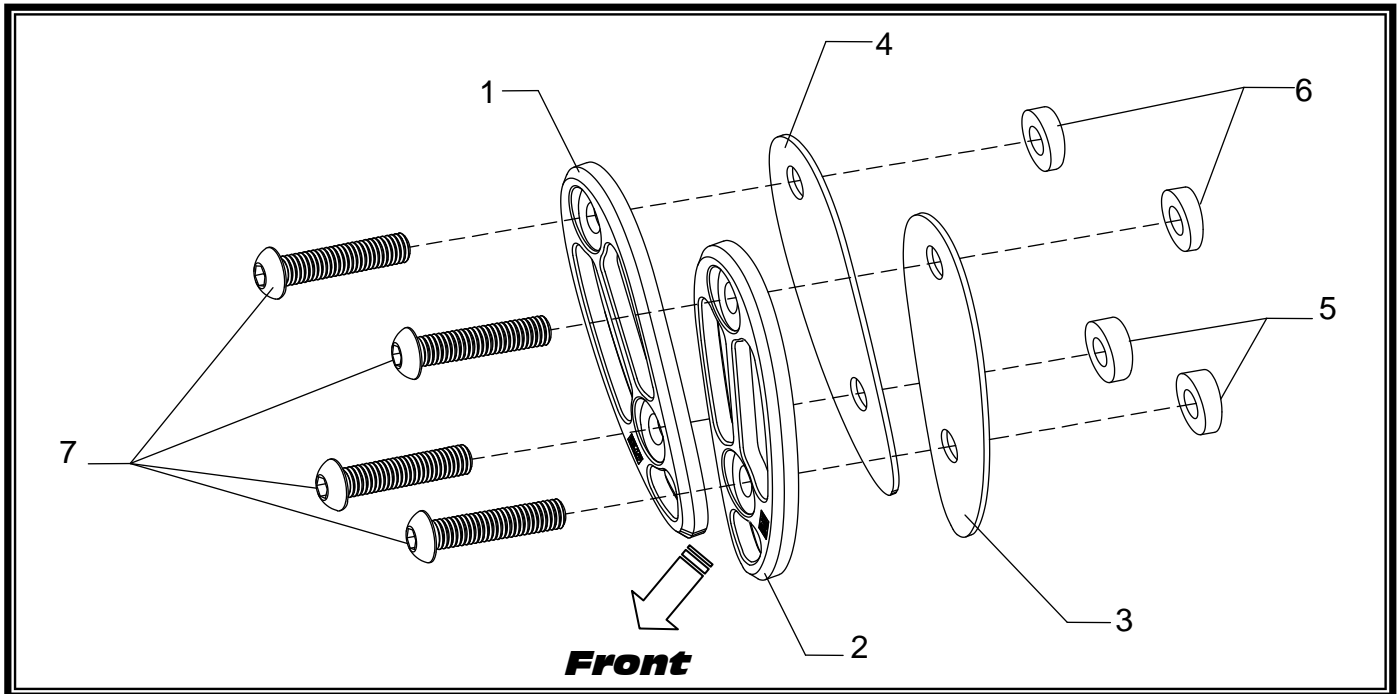
APPLICATION

MAKE	MODEL
Honda	CBR1000RR

PRODUCT

900HA122000	Mirror Block Off Plate
-------------	------------------------

 This product is not DOT approved. Yoshimura R&D of America, Inc. is not liable or responsible for any resulting event caused by the installation of this product. Check with local laws and regulations for compliance prior to installation and use. This product is not intended for use on public highways.



No.	Part #	Description	Qty
1	900HA122000HR	Yoshimura Right Mirror Block Off Plate	1
2	900HA122000HL	Yoshimura Left Mirror Block Off Plate	1
3	12200-CFMC-L	Left Carbon Fiber Plate	1
4	12200-CFMC-R	Right Carbon Fiber Plate	1
5	12200-MRR-SP1	Front Mirror Cap Spacer	2
6	12200-MRR-SP2	Rear Mirror Cap Spacer	2
7	M6X30BHS	Button Head Screws	4
**	17020C	Yoshimura Sticker Sheet	2

-TOOLS REQUIRED-

Metric Socket Set

Combination Wrench Set

Torque Wrench

Metric Allen Wrench Set

-REMOVAL-

- 1. Locate and disconnect left turn signal wires behind gauge cluster.***
- 2. While securely supporting the mirror, remove mirror nuts and washers.***
- 3. Carefully pull mirror up and away from bike.***
Note: Use caution when removing mirror not to damage turn signal connectors.
- 4. Repeat steps for right side.***

-INSTALLATION-

- 1. Using the supplied bolts, install Yoshimura mirror block off plates using the stock washer and nuts.***
See diagram for orientation.
Note: The larger spacer goes to the front.
- 2. Check all nuts and bolts are tight and secure prior to riding.***