




RACING ACCESSORY

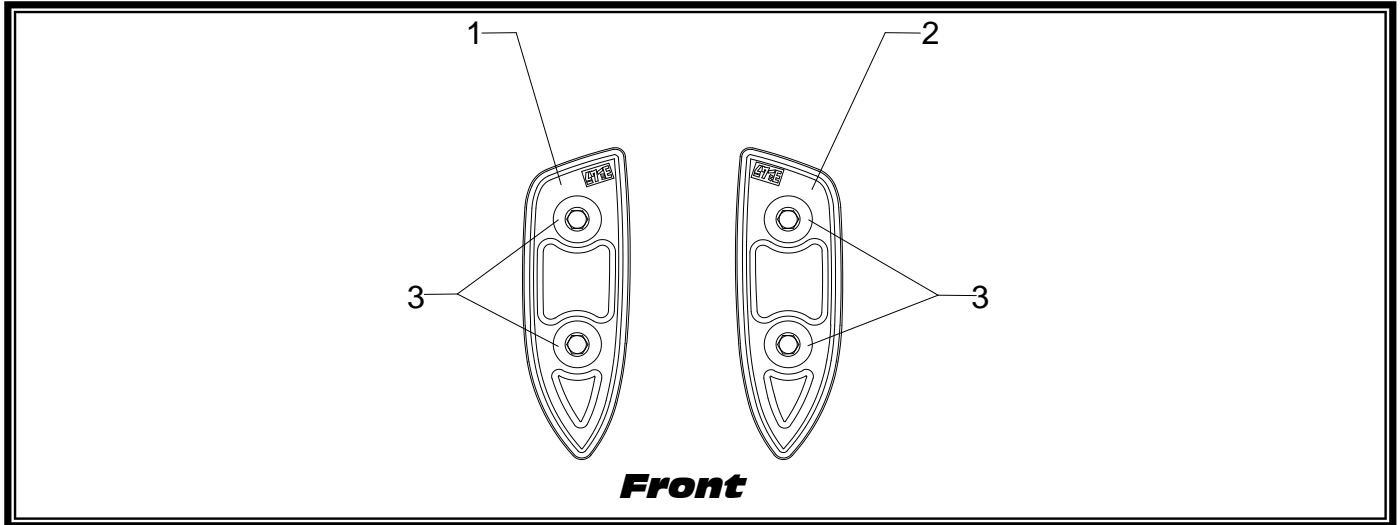
APPLICATION

| | |
|--------|-------|
| MAKE | MODEL |
| Yamaha | R1 |

PRODUCT

| | |
|-------------|------------------------|
| 900HA131400 | Mirror Block Off Plate |
|-------------|------------------------|

 This product is not DOT approved. Yoshimura R&D of America, Inc. is not liable or responsible for any resulting event caused by the installation of this product. Check with local laws and regulations for compliance prior to installation and use. This product is not intended for use on public highways.



| No. | Part # | Description | Qty |
|-----|---------------|---|-----|
| 1 | 900HA131400HR | Right Yoshimura Mirror Block Off Plates | 1 |
| 2 | 900HA131400HL | Left Yoshimura Mirror Block Off Plates | 1 |
| 3 | M6X22BHS | 6mm x 22mm Button Head Screw | 4 |
| ** | 13140-CFMC-L | Left Carbon Fiber Plates | 1 |
| ** | 13140-CFMC-R | Right Carbon Fiber Plates | 1 |
| ** | 17020C | Yoshimura Sticker Sheet | 2 |

-TOOLS REQUIRED-

Metric Socket Set Combination Wrench Set Metric Allen Wrench Set

-REMOVAL-

1. While securely supporting the mirror, remove mirror nuts to remove mirror.
2. Repeat removal step for opposite side.

-INSTALLATION-

1. Using the bolts provided in the kit, install Yoshimura mirror block off plates using the stock nuts.
2. Repeat step 1 for opposite side.
3. Check all nuts and bolts are tight and secure prior to riding.