



RACING ACCESSORY

APPLICATION

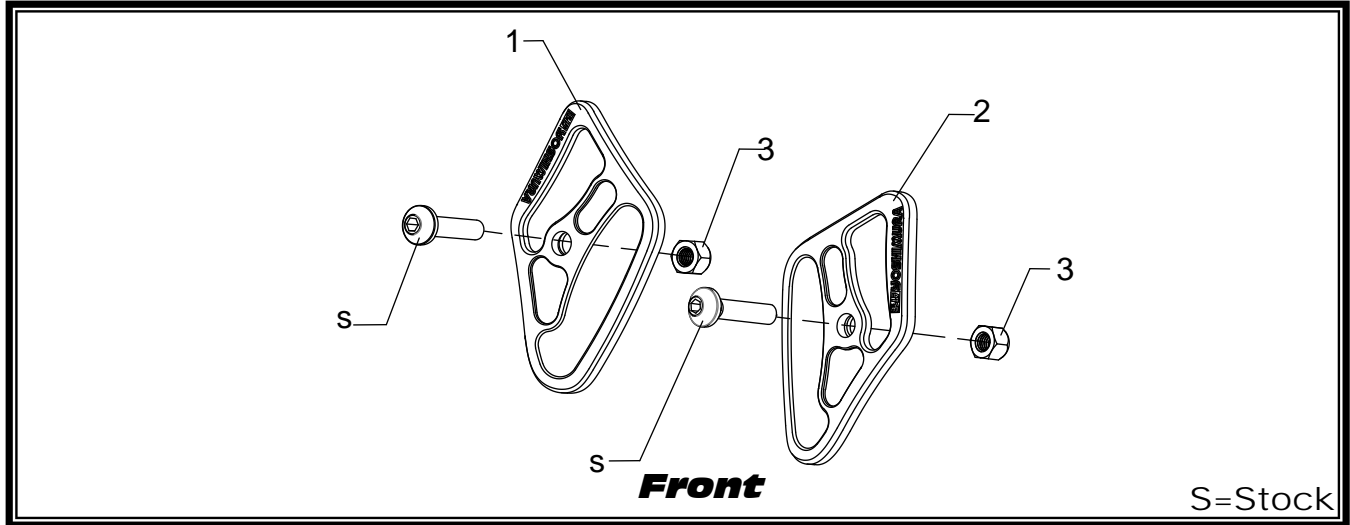
MAKE	MODEL
Ducati	848 1098 1198

PRODUCT

900HA198480	Mirror Block Off Plate
-------------	------------------------



This product is not DOT approved. Yoshimura R&D of America, Inc. is not liable or responsible for any resulting event caused by the installation of this product. Check with local laws and regulations for compliance prior to installation and use. This product is not intended for use on public highways.



S=Stock

No.	Part #	Description	Qty
1	900HA198480HR	Yoshimura Right Mirror Block Off Plate	1
2	900HA198480HL	Yoshimura Left Mirror Block Off Plate	1
3	5MMLN-U	5mm Lock Nut	2
**	19848-CFMC-L	Left Carbon Fiber Plate	1
**	19848-CFMC-R	Right Carbon Fiber Plate	1
**	17020C	Yoshimura Sticker Sheet	2

-TOOLS REQUIRED-

Metric Socket Set

Combination Wrench Set

Metric Allen Wrench Set

-REMOVAL-

1. While securely supporting the mirror, remove mirror bolt to remove mirror.
Note: Upper stock mirror pad will not be used however do not remove the pad between the fairing and frame mount.
2. Repeat removal step for opposite side.

-INSTALLATION-

1. Using the stock bolt, install Yoshimura mirror block off plates using the provided nuts. See diagram for proper orientation.
2. Repeat step 1 for opposite side.
3. Check all nuts and bolts are tight and secure prior to riding.