



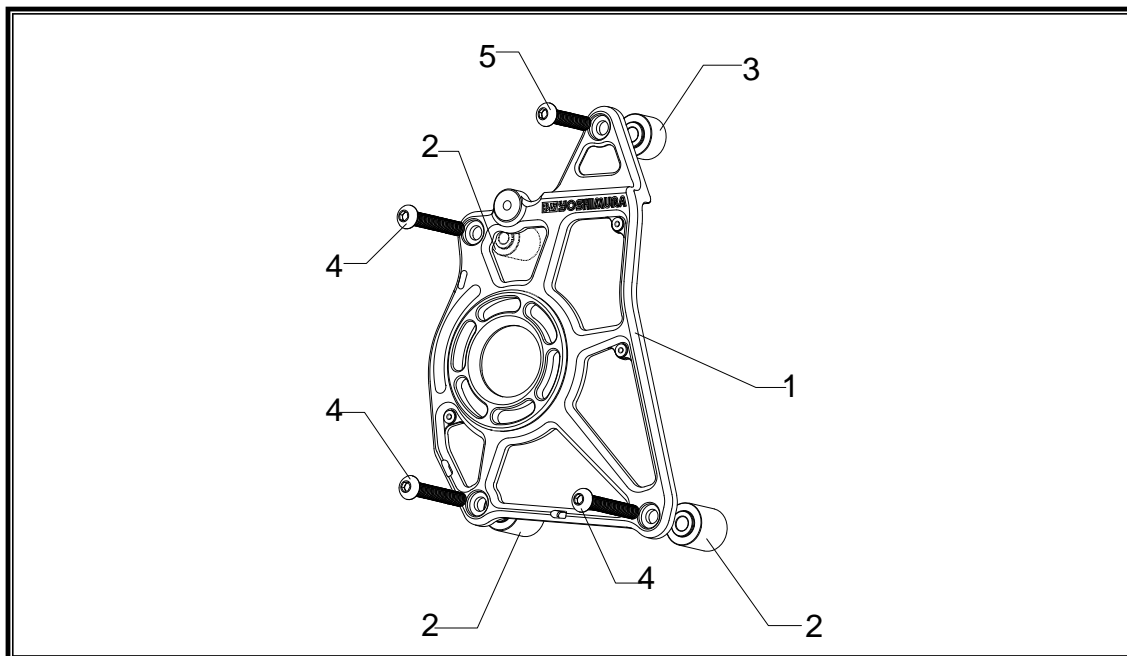
RACING ACCESSORIES

APPLICATION

YEAR	MODEL
2010-2014	BMW S1000RR
PRODUCT	
901BG152010	BMW S1000RR Sprocket Cover



Read through all instructions before beginning installation. Exhaust system can be extremely hot. Let motorcycle cool down before beginning installation. Always wear hand and eye protection and take precautionary measures to avoid injury.



No.	Part #	Description	Qty
1	15201-SC-BLK-K	Yoshimura Sprocket Cover	1
2	15201-SC-SP1	Large Spacer	3
3	15201-SC-SPC2	Small Spacer	1
4	M6X40BHS	6mm x 40mm Button Head Screw	3
5	M6X30BHS	6mm x 30mm Button Head Screw	1
**	ZT-200	Cable Ties	3
**	17020C	Yoshimura Sticker Sheet	2

-TOOLS REQUIRED-

Metric Allen Wrench Set

Torx Bit Set

1. Remove the (4) stock torx bolts securing stock sprocket cover and remove sprocket cover.
Note: Be sure the anti-rattle pin and chain failure protector stays on the vehicle.
2. Install Yoshimura sprocket cover using the bolts and spacers supplied in the kit. See diagram for proper orientation.
3. Secure sensor wire to Yoshimura sprocket cover using the cable ties supplied in the kit.
Note: Install cable ties through the 3 slots on the Yoshimura sprocket cover. Check that wire sensor is clear from sprocket and chain.
4. Be sure all hardware is tight and secure prior to riding.