



RACING ACCESSORIES

APPLICATION

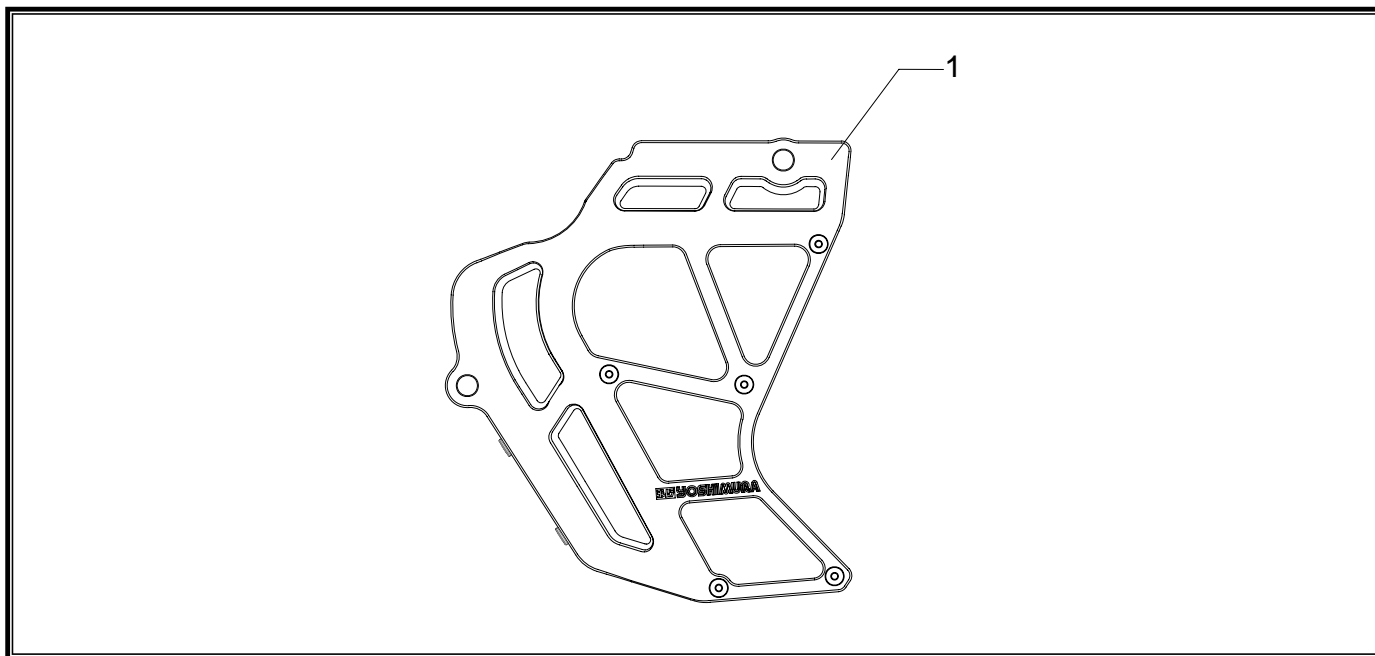
YEAR	MODEL
2008-2012	Ducati 848
2007-2009	Ducati 1098
2009-2011	Ducati 1198

PRODUCT

901BG198480	Ducati Sprocket Cover
-------------	-----------------------



Read through all instructions before beginning installation. Exhaust system can be extremely hot. Let motorcycle cool down before beginning installation. Always wear hand and eye protection and take precautionary measures to avoid injury.



No.	Part #	Description	Qty
1	19848-SC-BLK-K	Yoshimura Sprocket Cover	1
**	17020C	Yoshimura Sticker Sheet	2

-TOOLS REQUIRED-

Metric Allen Wrench Set

1. Remove the (2) stock bolts securing stock sprocket cover and remove sprocket cover.
2. Install Yoshimura sprocket cover using the (2) stock bolts.
3. Be sure all hardware is tight and secure prior to riding.