



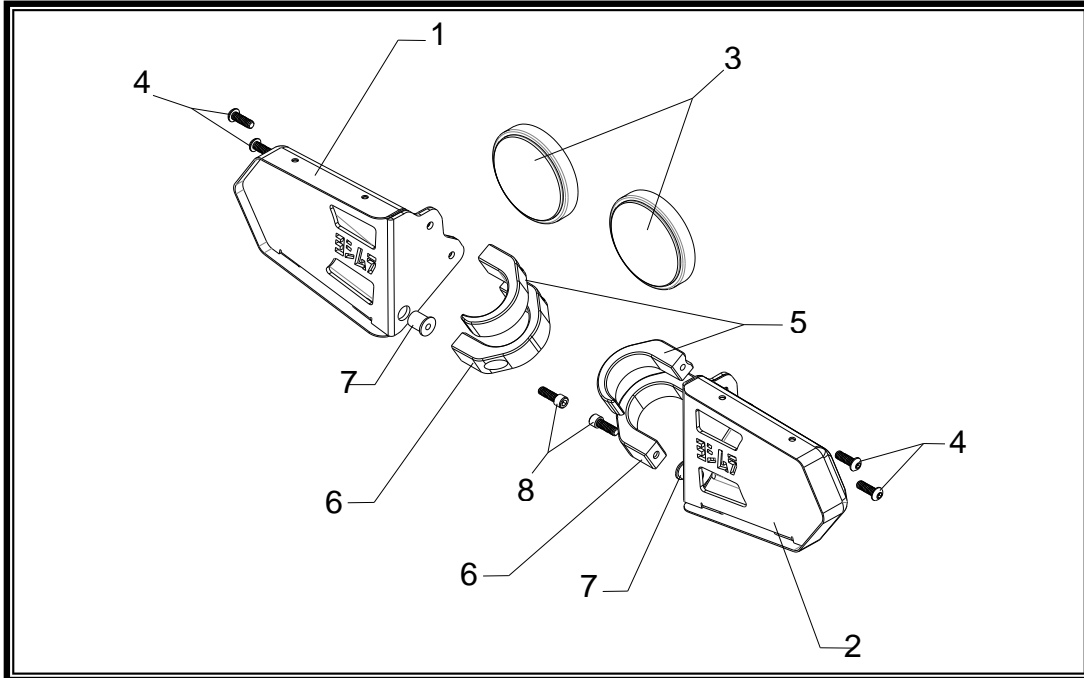
PERFORMANCE ACCESSORIES

APPLICATION

YEAR	MODEL
2011-2013	Polaris RZR XP900
2013	Polaris RZR XP900 Jagged X
PRODUCT	
901CF399000	Carbon Fiber Mirrors



This product is designed for use in closed course racing and is not intended for highway use.
 Read through all instructions before beginning installation.
 Always wear hand and eye protection and take precautionary measures to avoid injury.



No.	Part #	Description	Qty
1	901CF39900LA	Left CF Mirror Assembly	1
2	901CF39900RA	Right CF Mirror Assembly	1
3	39900-MRR	2 pc. Round Mirror	1
4	114-20X0-314BHS	Button Head Screw	4
5	39900-MRBKT-T	Top Mirror Bracket	2
6	39900-MRBKT-B	Bottom Mirror Bracket	2
7	114-20RRNUT	Rivet Nut	2
8	114-20X0-314	Socket Head Cap Screw	2
**	17020C	Yoshimura Sticker Sheet	2

-TOOLS REQUIRED-
 Metric Allen Wrench Set

-INSTALLATION-

1. Insert provided rubber rivet nut into mirror assembly.
2. Loosely install upper and lower mirror assembly brackets using the provided screws. See diagram for proper orientation.
3. Peel off adhesive backing and install mirror onto mirror assembly.
4. Locate desired mirror position and tighten mounting bracket screws.
5. Repeat steps 1-4 for opposite side.
6. Be sure all hardware is tight and secure prior to operating vehicle.