



PERFORMANCE ACCESSORIES

APPLICATION

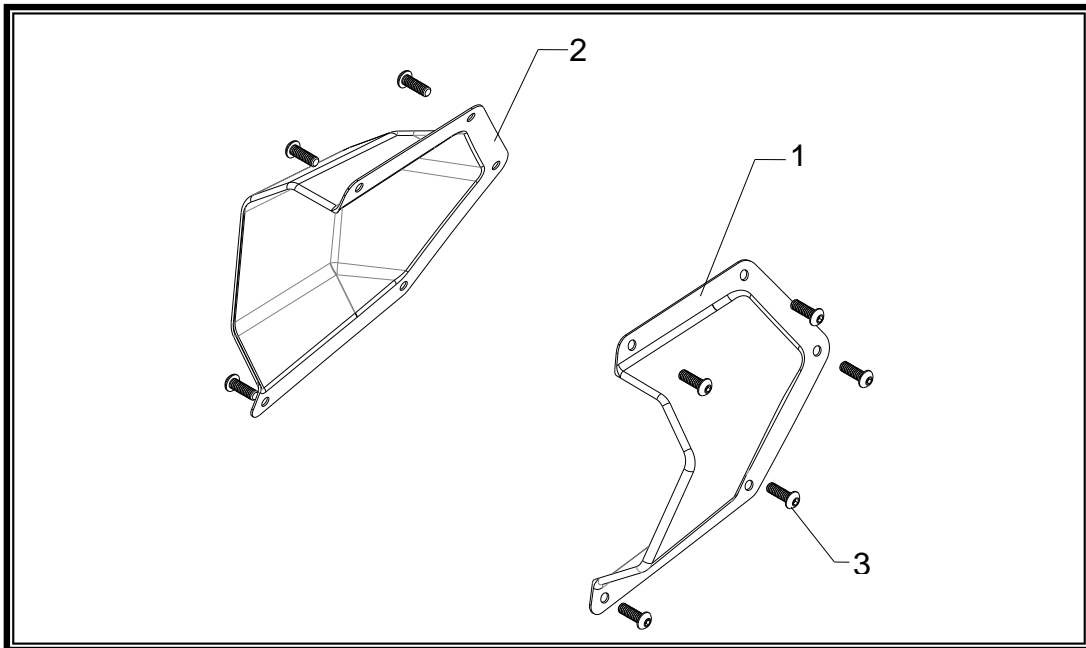
YEAR	MODEL
2011-2013	Polaris RZR XP900
2013	Polaris RZR XP900 Jagged X

PRODUCT

902CF399000	Carbon Fiber Intake Scoop
-------------	---------------------------



*This product is designed for use in closed course racing and is not intended for highway use.
Read through all instructions before beginning installation.
Always wear hand and eye protection and take precautionary measures to avoid injury.*



No.	Part #	Description	Qty
1	902CF399000L	Left Carbon Fiber Intake Scoop	1
2	902CF399000R	Right Carbon Fiber Intake Scoop	1
3	114-20X0-314BHS	Button Head Screw	10
**	114-20RRNUT	Rivet Nut	10
**	17020C	Yoshimura Sticker Sheet	2

-TOOLS REQUIRED-

Power Drill • 1/8" Drill Bit • 1/4" Drill Bit • 1/2" Drill Bit • Metric Allen Wrench Set

-INSTALLATION-

- 1. Place Yoshimura Carbon Fiber Intake Scoops over the stock intake grille and secure to the stock fender using tape.***
- 2. Using a power drill and a 1/8" drill bit, drill a pilot hole in the Yoshimura Carbon Fiber Intake Scoop and through the stock fender using the dimples on the intake scoop as a guide.***
- 3. Remove the Yoshimura Carbon Fiber Intake Scoop from the stock fender.***
- 4. Using a 1/4" drill bit, drill only the Carbon Fiber Intake Scoop using the pilot holes drilled previously as a guide.***
- 5. Using a 1/2" drill bit, drill only the stock fender using the pilot holes drilled previously as a guide.***
- 6. Insert provided rubber rivet nuts into the 1/2" holes on the stock fender.***
- 7. Install Yoshimura Carbon Fiber Intake Scoop using the provided button head screws.
Note: Make sure the rubber rivet nut mushrooms onto the back side of the stock fender.***
- 8. Repeat steps 1-7 for opposite side.***
- 9. Be sure all hardware is tight and secure prior to operating vehicle.***