



PERFORMANCE ALUMINUM ROOF

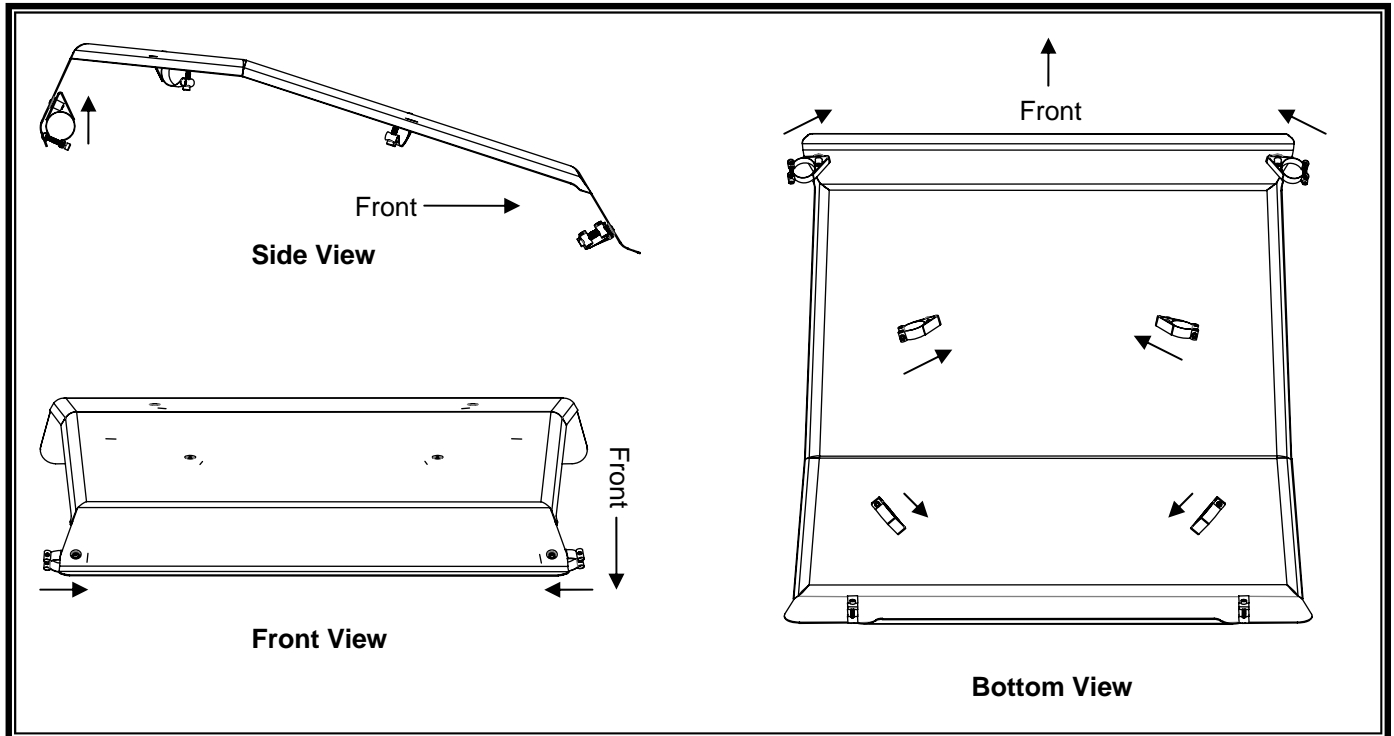
APPLICATION

YEAR	MODEL
2011-2013	Polaris RZR XP900

PRODUCT

907XX399000	Aluminum Roof Kit
-------------	-------------------

! This product is designed for use in closed course racing and is not intended for highway use. Read through all instructions before beginning installation.



No.	Part #	Description	Qty
1	39900-RF	Yoshimura Roof	1
2	39900-RFCLP	Roof Mount Clamps	8
3	114-20RRNUT	Rubber Rivet Nut	8
4	114-20X0-3I4BHS	Button Head Cap Screw	8
5	NRB-24	Neoprene Rubber Strip	2
6	5601-1643	Adhesive Tape	**
7	17020C	Yoshimura Sticker Sheet	2

-TOOLS REQUIRED-

Metric Socket Set

Combination Wrench Set

Metric Allen Wrench Set

-INSTALLATION-

- 1. Insert rivet nuts onto the mounting clamps.***
- 2. Install mounting clamps onto stock roll cage. The bracket on the mounting clamps should all be pointing in towards the inside of the vehicle. Leave clamps loose to align roof mounting holes. See diagram for proper orientation.***
- 3. Install neoprene rubber strip onto the sides of Yoshimura roof. The use of adhesive may be desired when applying the neoprene rubber strip onto the roof to prevent the neoprene rubber strip from coming off in harsh environments.***
- 4. Place Yoshimura Aluminum Roof over stock roll cage and align holes to mounting clamps and install using supplied screws. Do not tighten screws at this time.***
- 5. After all roof mounting screws have been lightly threaded, tighten all bolts making sure the rubber rivet nut mushrooms onto the backside of the mounting clamp bracket.***
- 6. Check that all hardware are secure and tight prior to operating vehicle.***

Note: Adhesive rubber tape has been included in the kit in the event there is unwanted noise coming from between the roll cage and roof. Apply adhesive rubber tape on trouble spots as needed.