



PERFORMANCE ACCESSORIES

APPLICATION

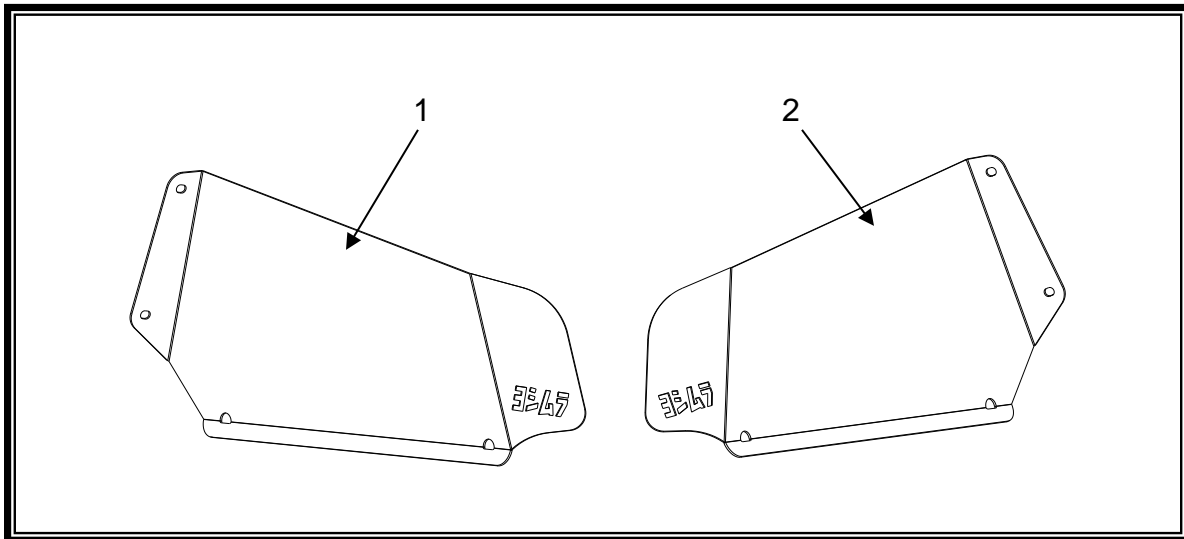
YEAR	MODEL
2012-2013	Arctic Cat Wildcat 1000
2013	Arctic Cat Wildcat X
2013	Arctic Cat Wildcat 4

PRODUCT

908BG391000	Wildcat '12 Roost Guard Kit
-------------	-----------------------------



Read through all instructions before beginning installation. Let vehicle cool down before beginning installation. Always wear hand and eye protection and take precautionary measures to avoid injury.



No.	Part #	Description	Qty
1	39100-RSG-R	Yoshimura Right Roost Guard	1
2	39100-RSG-L	Yoshimura Left Roost Guard	1
**	ZT-300	Cable Ties	4
**	17020C	Yoshimura Sticker	2

-TOOLS REQUIRED-

Torx Socket Set

-INSTALLATION-

1. Remove the right (2) bolts with the fender integral washer.
2. Install Yoshimura Roost Guard between chassis and fender using stock bolts.
3. Using the provided cable ties, secure Yoshimura Roost Guard to frame.
4. Repeat above steps for left side.
5. Check that all bolts are tight and secure prior to driving vehicle.