



SUZUKI

ASSEMBLY INSTRUCTIONS

Description: **Motorcycle Rear Stand**

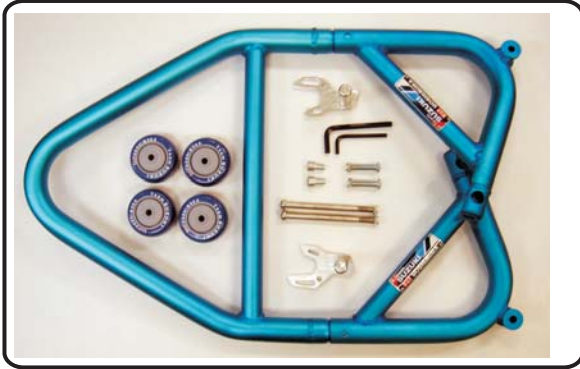
Part Number: Blue: **990A0-79004-BLU**

Weight: **8.5 lbs.**

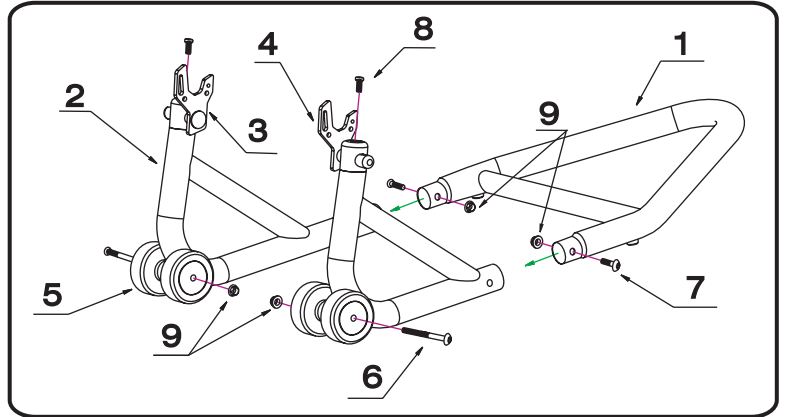
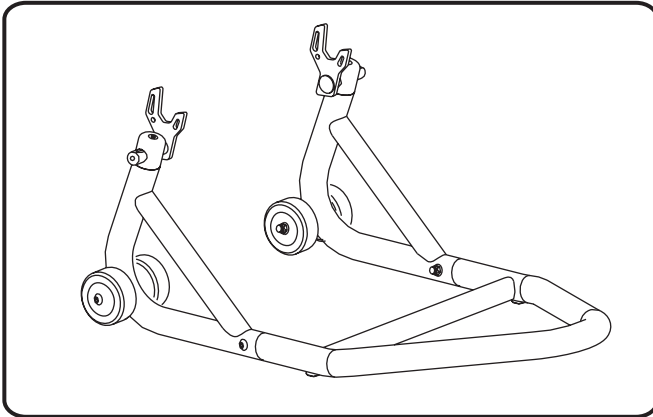
Grey: **990A0-79004-GRY**

Assembly Time: **0.2 hrs.**

Contents:



Drawing reference#	Description	Qty
1	Rear Stand Handle	1
2	Rear Stand Support Arm	2
3	Right Perch	1
4	Left Perch	1
5	Wheel	4
6	10mm x 135mm Allen Bolt	2
7	10mm x 45mm Allen Bolt	2
8	8mm x 16mm Allen Bolt	2
9	10mm Lock Nut	4



Tools Required:

Tool Description
1 Torque Wrench
2 Ratchet Wrench
3 6mm Allen Socket
4 8mm Allen Socket
5 17mm Wrench



Important:

WARNING

Please read this manual and follow the instructions carefully. To emphasize special information, the symbol and the words WARNING, CAUTION, And *NOTE* have special meanings. Pay special attention to the messages highlighted by these signal words.

CAUTION

NOTE:

NOTE: Indicates special information to make maintenance easier or instructions clearer.

WARNING

Indicates potential hazard that could result in death or injury.

CAUTION

Indicates potential hazard that could result in vehicle damage.



Preparation Prior to Assembly

Read instructions carefully. Lay out all parts and tools in a clean area. Visually inspect parts for possible damage from shipping.

Assembly

1 Bolt the four wheels to the rear stand arms using the supplied 10mm x 135mm bolts and 10mm lock nuts (See Fig.1). Torque the bolts to 23 N-m (16.5 lb-ft).

2 Connect the left and right support arms to the motorcycle stand handle. Secure the arms using the supplied 10mm x 45mm allen bolts and 10mm lock nuts (See Fig. 2). Torque bolts to 23 N-m (16.5 lb-ft).

NOTE: The left and right arms of the motorcycle rear stand are identical.

3 Install the left and right perches. Adjust the perches as necessary and lock into place by tightening the 8mm x 16mm allen bolts (See Fig. 3). Torque bolts to 10 N-m (7.0 lb-ft).

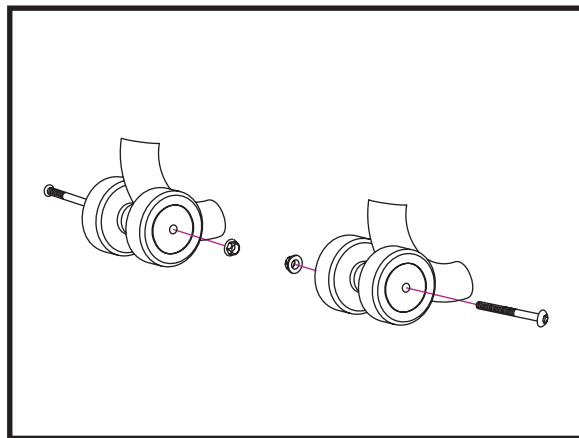


Fig. 1

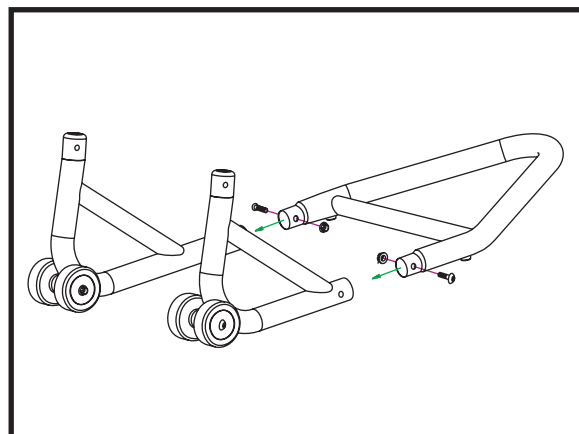


Fig. 2

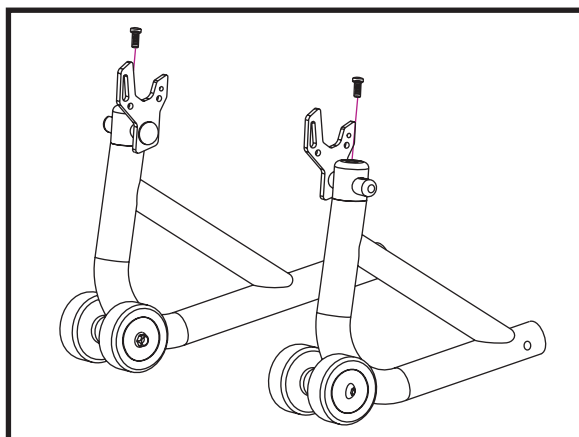


Fig. 3

WARNING

Always have someone help you hold the motorcycle when placing it on the stand. Do not sit on the motorcycle while it is on the stand.

Inspection/ Adjustment

Adjust perches position as necessary to line up with the center of the swingarm spools only when the motorcycle is not sitting on the stand. Tighten the locking bolts to 10 N-m (7.0 lb-ft) to lock the perches into position.