



# YOSHIMURA

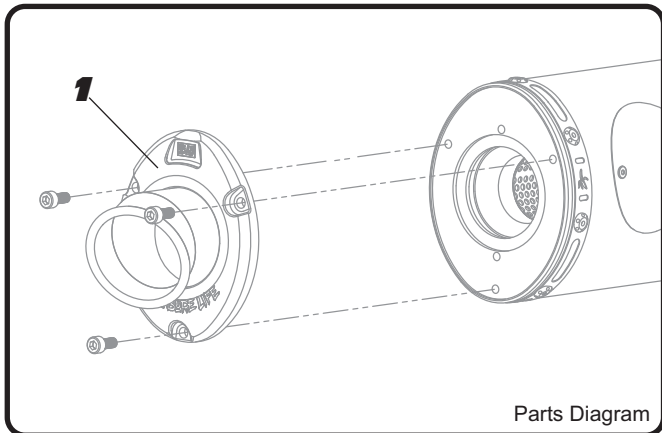
RESEARCH&DEVELOPMENT OF AMERICA, INC.

5420 DANIELS STREET SUITE A, CHINO, CA 91710 · (800) 634-9166 · (909) 628-4722 · FAX (909) 591-2198

[www.yoshimura-rd.com](http://www.yoshimura-rd.com)

**990BL121300**

**HONDA MONKEY BLUE ENDCAP KIT**



Parts Diagram

NO.	DESCRIPTION	QTY	PART #
1	BLUE MONKEY ENDCAP TIP ASSEMBLY	1	12130-ECTIP-BLU

1. Remove the three endcap bolts and remove endcap assembly.
2. Install new endcap assembly and re-install endcap bolts.

**NOTE:** It is recommended that a low strength "Loc-tite" is used on the endcap bolts.



# YOSHIMURA

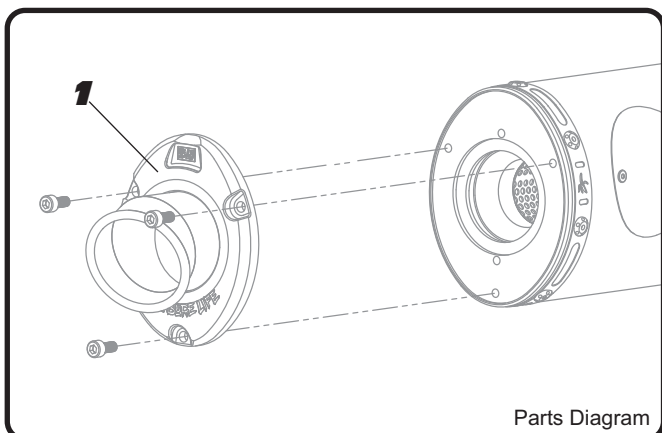
RESEARCH&DEVELOPMENT OF AMERICA, INC.

5420 DANIELS STREET SUITE A, CHINO, CA 91710 · (800) 634-9166 · (909) 628-4722 · FAX (909) 591-2198

[www.yoshimura-rd.com](http://www.yoshimura-rd.com)

**990BL121300**

**HONDA MONKEY BLUE ENDCAP KIT**



Parts Diagram

NO.	DESCRIPTION	QTY	PART #
1	BLUE MONKEY ENDCAP TIP ASSEMBLY	1	12130-ECTIP-BLU

1. Remove the three endcap bolts and remove endcap assembly.
2. Install new endcap assembly and re-install endcap bolts.

**NOTE:** It is recommended that a low strength "Loc-tite" is used on the endcap bolts.