



SUZUKI

www.suzuki.com

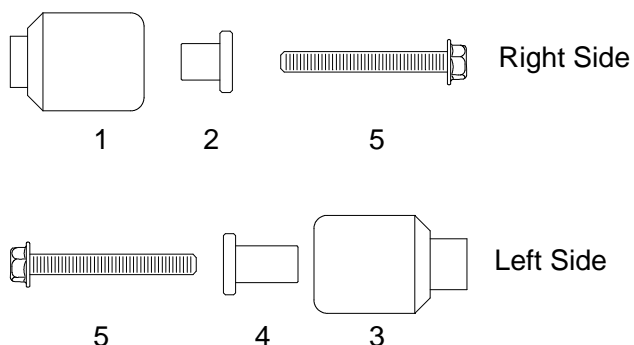
CHASSIS PROTECTOR

SUZUKI	'96-99 GSXR-750	99950-70245	WHITE
	'97-99 GSXR-600	99950-70246	BLACK



Part List:

NO.	DESCRIPTION	QTY
1	Right Chassis Protector (White) Right Chassis Protector (Black)	1
2	Right Aluminum Spacer	1
3	Left Chassis Protector (White) Left Chassis Protector (Black)	1
4	Left Aluminum Spacer	1
5	10mm x 80mm Flange Hex Bolt	2



Caution: Engine and exhaust system can be extremely hot. Let motorcycle cool down before beginning installation.

Note: Read through all instructions before beginning installation.

Tools Needed:

- 14mm socket
- 1/2" ratchet
- 8mm Allen wrench
- 1/2" Torque wrench

Installation Steps:

- 1 Remove left and right stock engine mount bolts. (Fig.1 & 2)
- 2 Install left-hand chassis protector with aluminum spacer into left engine mount using supplied bolt. Torque bolt to 5.5 kg-m (39 lb-ft). (Note: Left hand chassis protector and aluminum spacer have longer shoulder)
- 3 Install right-hand chassis protector with aluminum spacer into right engine mount using supplied bolt. Torque bolt to 5.5 kg-m (39 lb-ft).



Fig. 1



Fig. 2