

SUZUKI[®] INSTALLATION INSTRUCTIONS

Description: Nerf Bar Set

Part Number: **99950-70421**

Applications: 2004- LT-Z250

Installation Time: **.7 hours**

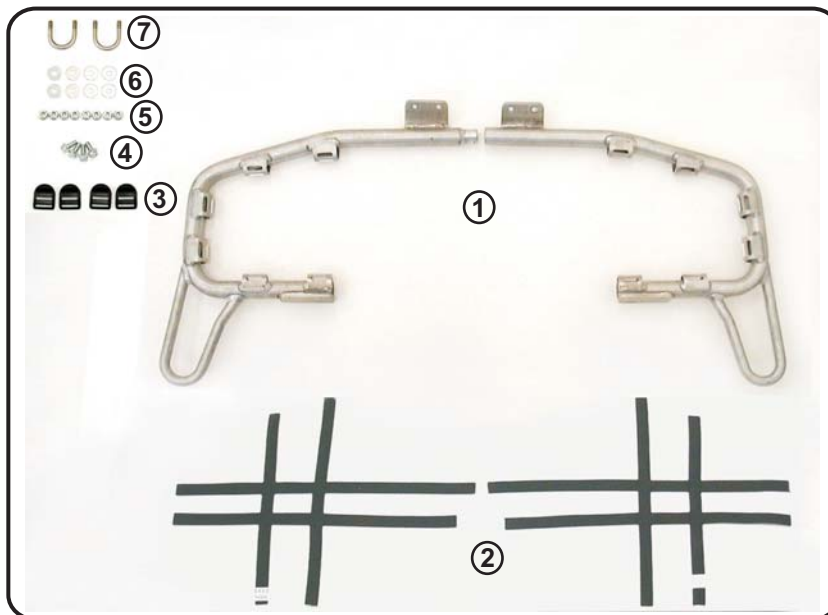
Contents:

Reference#	Description	Qty
1	Nerf Bar Set (Right & Left Sides)	1
2	Nerf Bar Netting Set (Right & Left Sides)	1
3	Plastic Buckle, Nerf Bar Webbing	4
4	8mm X 20mm Flange Head Bolt	4
5	8mm Locknut	8
6	8mm Washer	8
7	8mm X 53mm U-Bolt	2

Replacement parts:

99950-70421-001	Replacement Nerf Webbing Set with Buckles	1
99950-70421-002	Replacement Hardware Kit	1

NOTE: See Parts Diagram for listing of Kit Contents



Tools Required:

Tools Description

12mm & 13mm Socket

3/8" Ratchet

13mm Wrench

3/8" Torque Wrench



⚠ WARNING

Please read this manual and follow the instructions carefully. To emphasize special information, the symbol **⚠** and the words **WARNING**, **CAUTION**, and **NOTE** have special meanings. Pay special attention to the messages highlighted by these signal words.

CAUTION

NOTE:

NOTE: Indicates special information to make maintenance easier or instructions clearer.

⚠ WARNING

Indicates potential hazard that could result in death or injury.

CAUTION

Indicates potential hazard that could result in vehicle damage.

GENUINE SUZUKI ACCESSORIES

Preparation Prior to Installation

Read instructions carefully. Lay out all parts and tools in a clean area. Visually inspect parts for possible damage from shipping.

WARNING

Engine and exhaust system can be extremely hot. Let ATV cool down before beginning installation.

GENERAL PRECAUTIONS

WARNING

- * Proper service and repair procedures are important for the safety of the service mechanic and the safety and reliability of the ATV.
- * When two or more persons work together, pay attention to the safety of each other.
- * When it is necessary to run the engine indoors, make sure the exhaust gas is forced outdoors.
- * When working with toxic or flammable materials, make sure the area you work in is well ventilated and that you follow all of the manufacturer's instructions.
- * Never use gasoline as a cleaning solvent.
- * To avoid getting burned, do not touch the engine, engine oil, radiator, and exhaust system until they have cooled.

CAUTION

- * If parts replacement is necessary, replace the parts with SUZUKI Genuine Parts or their equivalent.
- * When removing parts that are to be reused, keep them arranged in an orderly manner so that they may be reinstalled in the proper order.
- * Use a torque wrench to tighten fasteners to the specified torque. Wipe off grease and oil if a thread is smeared with them.
- * After reassembling, check parts for tightness and proper operation.

Installation:

- 1 Lay out nerf bars and webbing (See Fig's. 1 & 2).

NOTE: Webbing is marked with a tag designating either left or right side - webbing is not interchangeable from side to side.

- 2 Rig the webbing (See Fig. 3).
- 3 When webbing is installed on nerf bars adjust tension of webbing to ensure there is no excess slack.

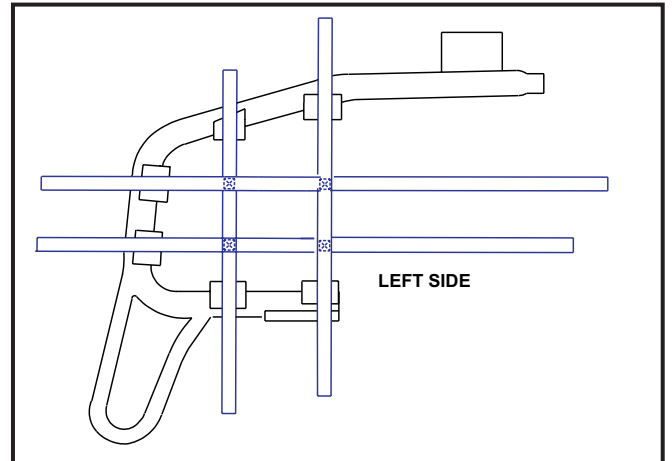


Fig. 1

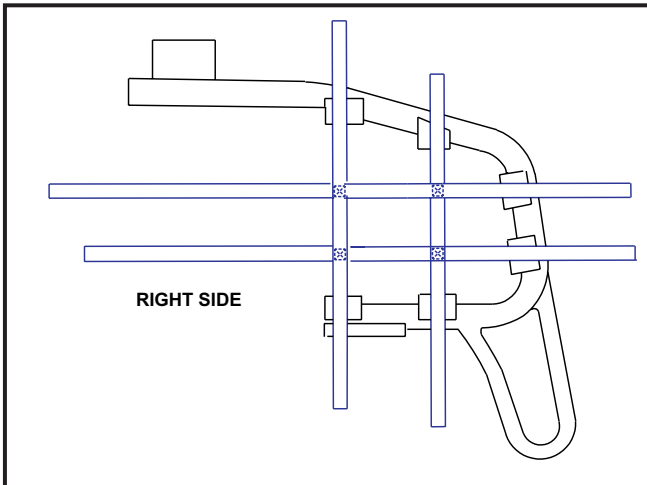


Fig. 2

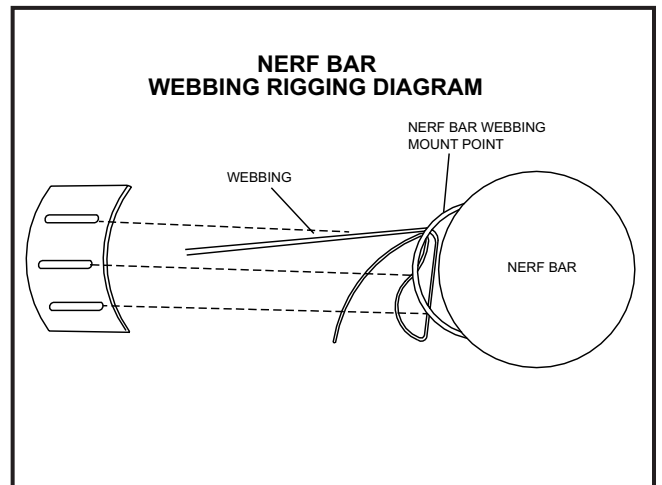


Fig. 3

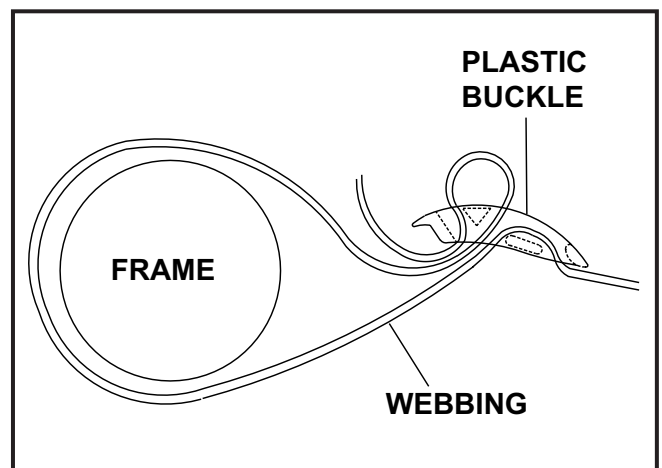


Fig. 4



Installation:

NOTE: For bolt, washer and locknut locations and assembly order see Fig. 8.

4. Place nerf bars into position on the ATV. Install nerf bars with supplied U-bolts, washers and nuts mounting the nerf bars to the frame of the ATV. Do not tighten bolts (See Fig. 5).
5. Mount nerf bars to stock ATV footpegs using supplied 8mm bolts, washers and locknuts (See Fig. 6).
6. Continue tightening bolts and adjusting nerf bars to ensure proper fit and alignment.
7. Torque U-bolts to 1.8kgf-m (13 lb-ft).
8. Torque footpeg mounting bolts to 1.8kgf-m (13 lb-ft).
9. Install nerf bar webbing around frame using supplied pastic buckles (See Fig. 4).
10. Re-adjust all webbing as necessary.

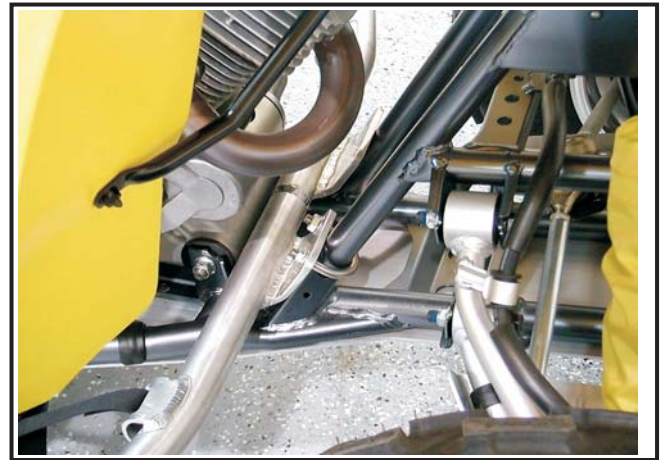


Fig. 5



Fig. 6



Fig. 7

WARNING

Before starting ATV check for proper clearance between new nerf bars and ATV. (I.e. Chassis, front suspension etc.) If any problem is found, please carefully follow through the installation steps again.

Installation & Parts Diagram:

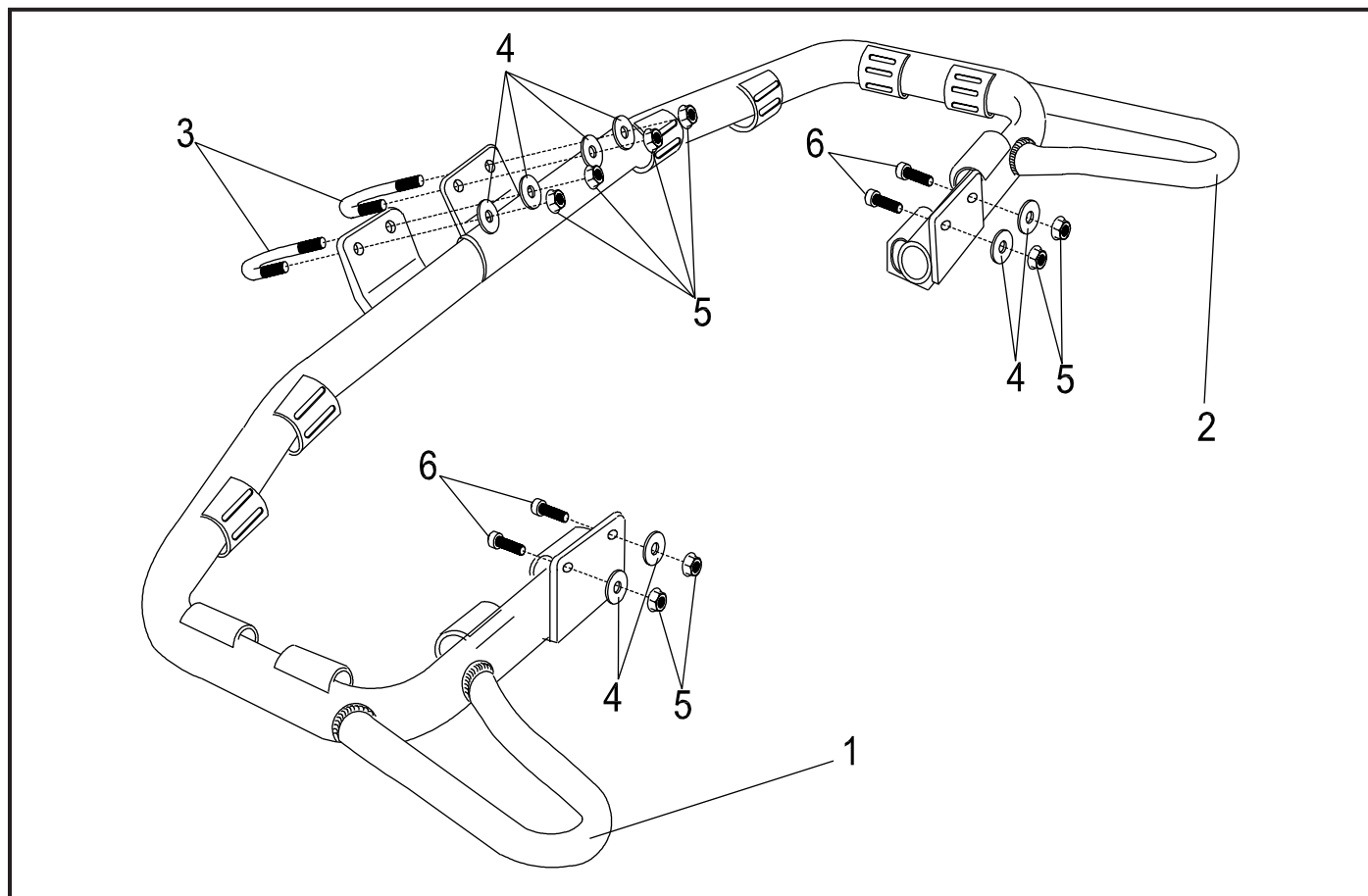


Fig. 8

NO.	DESCRIPTION	QTY
1	Left Side Nerf Bar	1
2	Right Side Nerf Bar	1
3	8mm X 53mm Stainless Steel U-bolt	2
4	8mm Washer	8
5	8mm Nylon Locknut	8
6	8mm X 20mm Flange Head Hex Bolt	4
**	Left Side Nerf Bar Webbing	1
**	Right Side Nerf Bar Webbing	1
**	Plastic Webbing Buckles	4

Replacement Part Kits			
DESCRIPTION	PART NUMBER	Kit Contents:	QTY
Replacement Webbing with Buckles	99950-70421-00	Left Side Nerf Bar Webbing	1
		Right Side Nerf Bar Webbing	1
		Plastic Webbing Buckles	4
Replacement Hardware Kit	99950-70421-01	8mm X 53mm Stainless Steel U-bolt	2
		8mm Washer	8
		8mm Nylon Locknut	8
		8mm X 20mm Flange Head Hex Bolt	4

** Indicates Item Not Shown in Diagram

Maintenance/Inspections:

Inspect and check torque for mounting bolts is advised after the first **2 hours** of operation, then once every 30-40 hours of operation.

Inspect nerf bar webbing and buckles for excess slack prior to ATV operation each time.

Troubleshooting:

In the event of riding mishap where the Nerf Bars come in contact with the ground or other objects, it is recommended that the ATV and Nerf Bars be carefully inspected for damage and secure fit. If in doubt, replace damaged Components.

Inspect Nerf Bar Webbing and buckles on a regular basis. If webbing begins fraying or receives cuts in the material, replace worn components.