

SUZUKI[®] INSTALLATION INSTRUCTIONS

Description: **Chassis Protectors**

Part Number: black: **99950-70543-BLK**

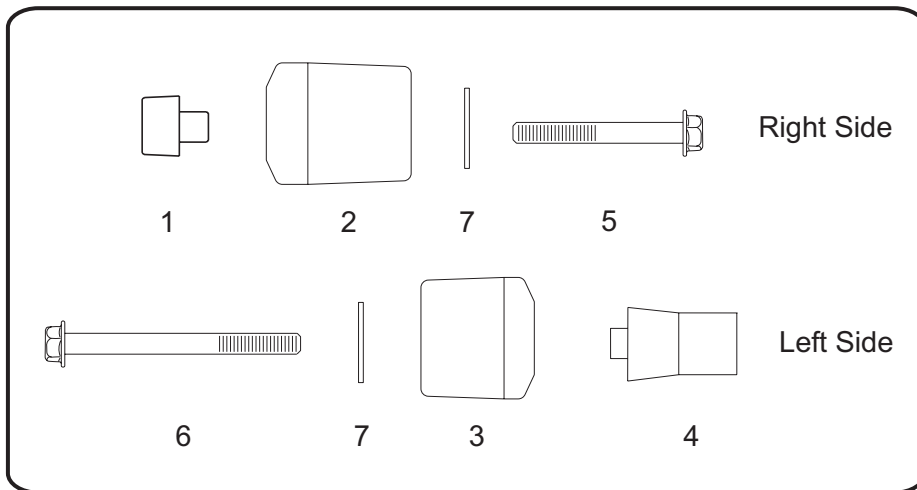
Applications: **2004- GSX-R600**

white: **99950-70543-WHT**

Weight: **1 lbs.**

Installation Time: **.5 hrs.**

Contents:	Drawing reference#	Description	Qty
	1	Right Aluminum Spacer	1
	2	Right Side Chassis Protector	1
	3	Left Side Chassis Protector	1
	4	Left Aluminum Spacer	1
	5	10mm X 80mm Flange Head Bolt (Right)	1
	6	10mm X 100mm Flange Head Bolt (Left)	1
	7	10mm Large Washer	2



Tools Required:	Tool Description
1	14mm Socket
2	Ratchet wrench with extension
3	8mm Allen wrench
4	Torque wrench



Important:

⚠ WARNING

Please read this manual and follow the instructions carefully. To emphasize special information, the symbol **⚠** and the words **WARNING**, **CAUTION**, and **NOTE** have special meanings. Pay special attention to the messages highlighted by these signal words.

CAUTION

NOTE:

NOTE: Indicates special information to make maintenance easier or instructions clearer.

⚠ WARNING

Indicates potential hazard that could result in death or injury.

CAUTION

Indicates potential hazard that could result in vehicle damage.



**Preparation
Prior to
Installation**

Read instructions carefully. Lay out all parts and tools in a clean area. Visually inspect parts for possible damage from shipping.

⚠ WARNING

Engine and exhaust system can be extremely hot. Let motorcycle cool down before beginning installation.

Installation

1. Remove right side stock engine mount bolt. (See Fig.1 for location)
2. Install right-hand chassis protector with aluminum spacer into right engine mount using supplied bolt. Torque bolt to 55 n.m. (39 lb-ft). (Note: Left hand chassis protector and aluminum spacer have longer shoulder)
3. Remove the left-hand side stock engine mount bolt. (See Fig.2 for location)
4. Install chassis protector with aluminum spacer and supplied bolt. Torque bolt to 55 n.m. (39 lb-ft).



Fig. 1



Fig. 2

**Inspection/
Adjustment**

Chassis Protectors are non-adjustable and can only be installed one way.

Periodic Inspection of mounting bolts is advised once every 50 hours of riding.

In the event of riding mishap where the protector comes in contact with the ground, it is recommended that the chassis protectors be removed and inspected for damage and fit. If in doubt, replace units. Clean with mild soap and water.

**Inspection/
Adjustment**

TROUBLE	INSPECTION	DIAGNOSIS	ACTION
Uneven Appearance	Visually look and make sure both protectors appear to protrude an equal distance.	Spacers and/ or left & right protectors are mixed	Put long shouldered spacer and protector on left side. Put short shouldered spacer on the right side.