



YOSHIMURA

RESEARCH&DEVELOPMENT OF AMERICA, INC.

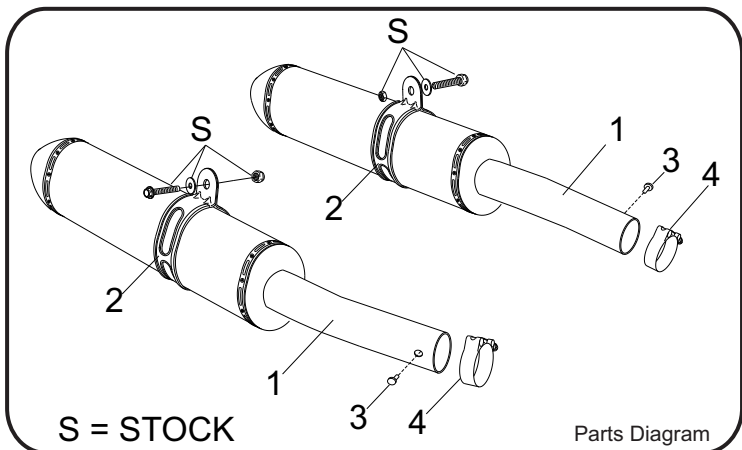
5420 DANIELS STREET STE A, CHINO CA., 91710 · (800) 634-9166 · (909) 628-4722 · FAX (909) 591-2198

www.yoshimura-rd.com

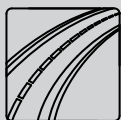
Street Series

Qualified Manufacturer Declared "Replacement Part"

1997~2007 Honda CBR1100XX CB13350C-CE (SS/CF) RS-3C Dual Slip-On



NO.	DESCRIPTION	QTY	PART #
1	Oval Muffer Assembly (Left & Right Sides)	1	**
2	Stainless Steel Muffer Clamp Stainless Steel uses	2	COS450S8ASX
3	Retaining Rivet	2	S-RIVET
4	Stainless Steel Collector Clamp	2	200-62
**	Muffer Clamp Heat Insulator	2	HT SHLDTRS
**	Instructions	1	INST KIT
**	Low Volume Sound Insert	2	INS-15-K
**	Yoshimura Sticker	1	17029



All Street Series systems are:

- Slip-on/Bolt-on applications that do not require tampering with the vehicle's emissions control system.
- CARB/EPA tail-pipe emissions compliant.
- Marked with appropriate EPA noise labels.
- Not tested for EPA new vehicle noise compliance.



✘ You must know how to remove and replace your stock exhaust in order to install this product otherwise have it installed by a professional mechanic. Keep all stock parts from your existing system as some components may be necessary to install your new Yoshimura exhaust depending on the application. Read through all instructions before beginning installation. Exhaust system can be extremely hot. Let motorcycle cool down before beginning installation. Always wear hand and eye protection and take precautionary measures to avoid injury. ✘

NOTE: IN THE STATE OF CALIFORNIA, IT IS ILLEGAL TO MODIFY THE EMISSION CONTROL SYSTEM, WHICH INCLUDES THE CARBURETORS OF ANY VEHICLE.

Caution: Exhaust system can be extremely hot. Let motorcycle cool down before beginning installation.

Note: Read through all instructions before beginning installation.

Tools Needed:

12mm socket
Ratchet wrench
12mm and 14mm wrenches
Torque wrench

5 Check for proper clearance between new mufflers and motorcycle. (i.e. swing-arm, passenger foot-peg, rear wheel, etc.) If any problem is found, please carefully follow through the installation steps again. If problem still persists, please call Yoshimura tech. Dept. at (800)634-9166 / in CA (909)628-4722

Installation Steps:

- 1 Remove stock mufflers and tailpipe gaskets - the stock gaskets sometimes stick to the stock header and must be removed.
- 2 Slip supplied collector clamps over Yoshimura tailpipes and install mufflers with tailpipes onto stock header.
- 3 Apply muffler clamp heat insulators to inside of muffler clamps and slide clamps onto mufflers. (note direction of clamp in Fig. 1)
- 4 Mount clamps to outside of stock muffler brackets using stock bolts, washers, and nuts. Torque bolts to 2.5 kg-m (18 lb-ft).

Note: After starting motorcycle, it is normal for new exhaust system and mufflers to emit smoke until oil residue burns off

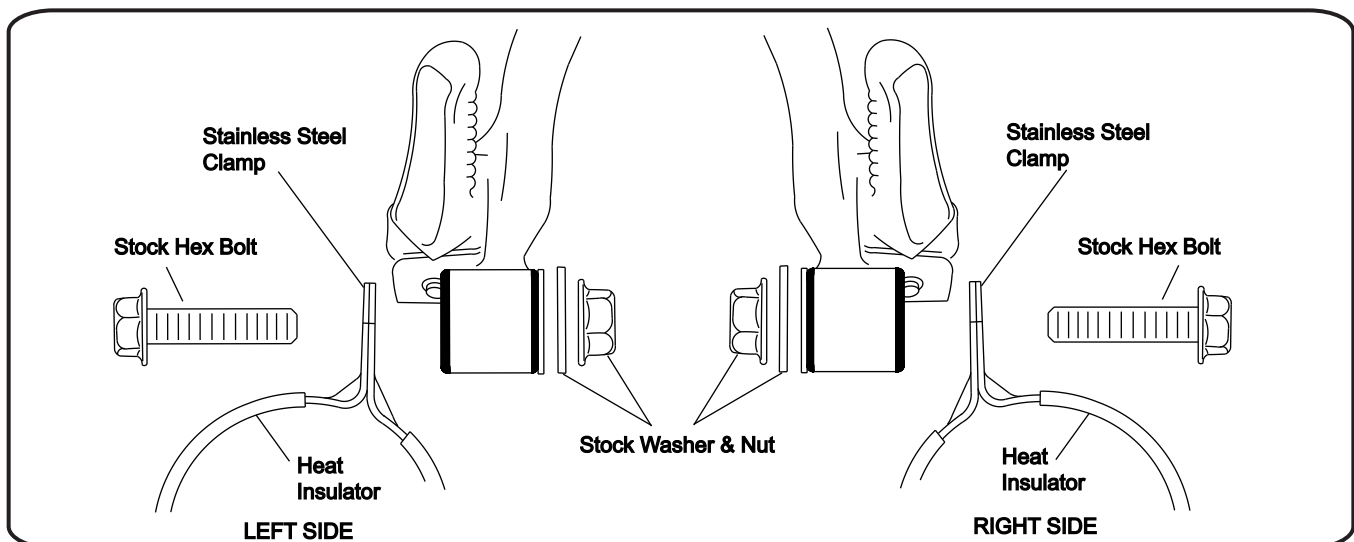


Fig. 1